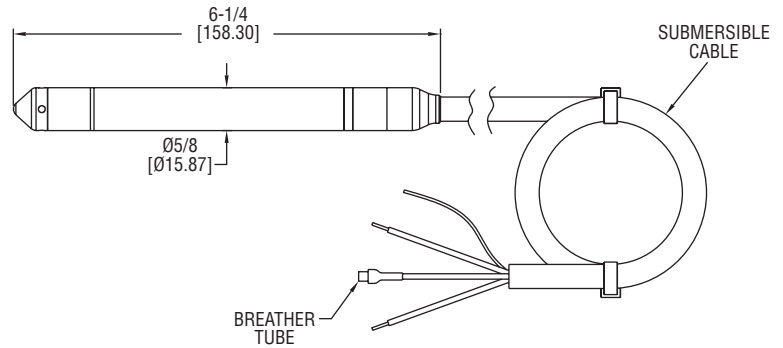


MINIATURE SUBMERSIBLE LEVEL TRANSMITTER

Only 0.63" (16 mm) in Diameter, Perfect for Wells and Boreholes, Up to ±0.10% Accuracy, Low Power Models for Telemetry Systems



NEW!
Low Power Models



Scan here to watch product video

The **SERIES MBLT** Miniature Submersible Level Transmitters measure the height of liquid above the position in the tank referenced to atmospheric pressure. The transmitter consists of a piezoresistive sensing element, encased in a 0.63" (16 mm) diameter 316 SS housing.

FEATURES/BENEFITS

- Slender 0.63" (16 mm) diameter design fits in narrow openings
- Constructed for years of trouble free service with welded 316 SS body and 316 SS nose cap
- Body top is 316 SS and tapered to prevent damage or snares when pulling the unit out of the installation
- ±0.10% or ±0.25% FS accuracy output is better than BFSL or BSL rated outputs used by most competitors
- Maintenance free filter eliminates particulate or water droplets from entering the transducer
- Comes with a choice of polyether polyurethane or ETFE cable materials for excellent chemical compatibility
- Incorporates lightning and surge protection, eliminating both power supply surges and lightning ground strike transients (surge protection is not guaranteed and is not covered by warranty)

APPLICATIONS

- Ballast tanks
- Ground water monitoring
- Surface water monitoring
- Dewatering
- Down hole
- Remote telemetry
- Remote flood monitoring
- Narrow conduit or pipe installations
- Remediation and environmental monitoring

SPECIFICATIONS

<p>Service: Compatible liquids. Wetted Materials: Body and nose: 316 SS; Cable: Polyether polyurethane or ETFE; Seals: Fluoroelastomer; Label: Polyolefin. Accuracy: ±0.25% or ±0.10% FS**. Temperature Limits: -4 to 176°F (-20 to 80°C). Compensated Temperature Limits: 0.25%: (0 to 70°C); 0.10%: (0 to 60°C). Thermal Effect: 0.25%: ±0.45% FS TEB; 0.10%: ±0.30% FS TEB. Pressure Limit: 2x FS. Power Requirements: Current output: 10 to 33 VDC; Voltage output: 8 to 33 VDC; 5 mA max (no load).</p>	<p>Output Signal: 4 to 20 mA DC 2-wire or 0 to 5 V* (model depending). Response Time: < 50 ms. Max Loop Resistance: 1000 Ω @ 30 VDC (current output). Voltage Output Impedance: 10 Ω + 4.4 Ω / 100' cable (voltage output). Electrical Connections: Wire pigtail. Mounting Connection: Suspended below point being monitored. Electrical Protection: Surge/lightning protected per EN61000-4-5, Class 5. Weight: Body: 0.235 lb (0.107 kg); Cable: 0.037 lb (0.017 kg) per foot. Agency Approvals: CE.</p>
---	--

*Consult factory for additional outputs.

**4.3 to 4.9 psi (10 to 11.54 in w.c.) configured ranges ±0.30% FS accuracy

OPTIONS

For custom ranges, cable lengths, or ETFE cable, contact the website for pricing.

ACCESSORY

Model	Description	Price
A-297	Dessicant filter for vent tube. Removes humidity for protection of the sensor. Changes color to show saturation	19.00



A-297

MODEL CHART

4 to 20 mA output Model ±0.10%	Price	4 to 20 mA output Model ±0.25%**	0 to 5 V output Model ±0.25%**	Price	Range psi (' w.c.) [m w.c.]	Cable Length	Cable Type
-	-	MBLT-2SC-IVPP-5-40	MBLT-2SC-VVPP-5-40	\$418.00	5 (11.54) [3.52]	40 ft	Polyether polyurethane
-	-	MBLT-2SC-IVPF-15-40	MBLT-2SC-VVPP-15-40	418.00	6.50 (15) [4.57]	40 ft	Polyether polyurethane
-	-	MBLT-2SC-IVPM-5-12.2	MBLT-2SC-VVPM-5-12.2	419.50	7.10 (16.40) [5]	12.2 m	Polyether polyurethane
-	-	MBLT-2SC-IVPM-10-30**	MBLT-2SC-VVPM-10-30**	506.50	14.22 (32.84) [10]	9.14 m	Polyether polyurethane
MBLT-2SB-IVPF-20-40	\$528.00	MBLT-2SC-IVPF-20-40	MBLT-2SC-VVPP-20-40	418.00	8.66 (20) [6.10]	40 ft	Polyether polyurethane
MBLT-2SB-IVPF-30-50	543.00	MBLT-2SC-IVPF-30-50	MBLT-2SC-VVPP-30-50	433.00	12.99 (30) [9.14]	50 ft	Polyether polyurethane
MBLT-2SB-IVPM-10-15.2	543.00	MBLT-2SC-IVPM-10-15.2	MBLT-2SC-VVPM-10-15.2	433.00	14.21 (32.81) [10]	15.2 m	Polyether polyurethane
MBLT-2SB-IVPF-50-70	573.00	MBLT-2SC-IVPF-50-70	MBLT-2SC-VVPP-50-70	463.00	21.65 (50) [15.24]	70 ft	Polyether polyurethane
MBLT-2SB-IVPM-20-26	597.00	MBLT-2SC-IVPM-20-26	MBLT-2SC-VVPM-20-26	487.00	28.42 (65.62) [20]	26 m	Polyether polyurethane
MBLT-2SB-IVPM-30-36	646.50	MBLT-2SC-IVPM-30-36	MBLT-2SC-VVPM-30-36	536.50	42.63 (98.43) [30]	36 m	Polyether polyurethane
MBLT-2SB-IVPF-100-120	648.00	MBLT-2SC-IVPF-100-120	MBLT-2SC-VVPP-100-120	538.00	43.31 (100) [30.48]	120 ft	Polyether polyurethane
MBLT-2SB-IVPM-40-46	694.50	MBLT-2SC-IVPM-40-46	MBLT-2SC-VVPM-40-46	584.50	56.83 (131.23) [40]	46 m	Polyether polyurethane
MBLT-2SB-IVPF-150-170	723.00	MBLT-2SC-IVPF-150-170	MBLT-2SC-VVPP-150-170	613.00	64.96 (150) [45.72]	170 ft	Polyether polyurethane
MBLT-2SB-IVPM-60-66	793.50	MBLT-2SC-IVPM-60-66	MBLT-2SC-VVPM-60-66	683.50	85.25 (196.85) [60]	66 m	Polyether polyurethane
MBLT-2SB-IVPF-200-220	798.00	MBLT-2SC-IVPF-200-220	MBLT-2SC-VVPP-200-220	688.00	86.62 (200) [60.96]	220 ft	Polyether polyurethane
MBLT-2SB-IVPF-350-370	1023.00	MBLT-2SC-IVPF-350-370	MBLT-2SC-VVPP-350-370	913.00	151.58 (350) [106.68]	370 ft	Polyether polyurethane
MBLT-2SB-IVPM-100-106	990.00	MBLT-2SC-IVPM-100-106	MBLT-2SC-VVPM-100-106	880.00	142.09 (328.08) [100]	106 m	Polyether polyurethane
MBLT-2SB-IVPM-200-206	1482.00	MBLT-2SC-IVPM-200-206	MBLT-2SC-VVPM-200-206	1372.00	284.18 (656.17) [200]	206 m	Polyether polyurethane
MBLT-2SB-IVPF-690-710	1533.00	MBLT-2SC-IVPF-690-710	MBLT-2SC-VVPP-690-710	1423.00	298.83 (690) [210.31]	710 ft	Polyether polyurethane

**4.3 to 4.9 psi (10 to 11.54 in w.c.) configured ranges ±0.30% FS accuracy

Level Transmitters,
Submersible