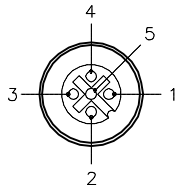
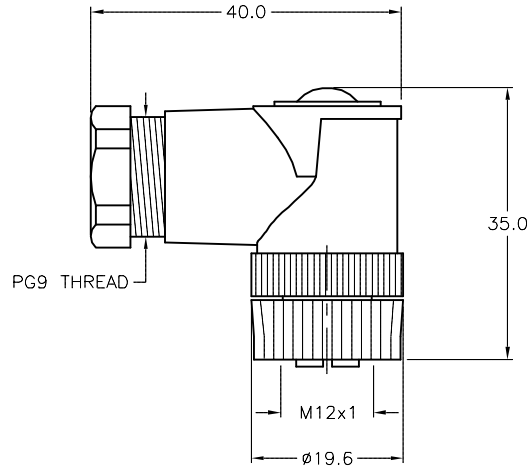


FEMALE END VIEW



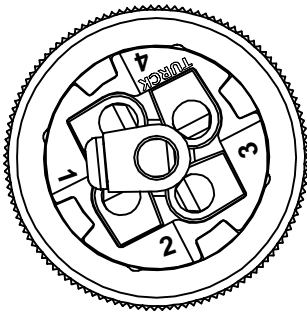
SPECIFICATIONS

HOUSING MATERIAL/COLOR	PBT/BLACK
CONTACT MATERIAL/PLATING	BRASS/GOLD
COUPLING NUT MATERIAL/COLOR	NYLON/BLACK
RATED CURRENT [A]	4.0 A
RATED VOLTAGE [V]	60 V
MAXIMUM WIRE SIZE	18 AWG
CABLE GRIP RANGE	4-8mm
TEMPERATURE RATING	-25°C to +85°C (-13°F to +185°F)
PROTECTION CLASS	IEC IP67
TERMINATION TYPE	SCREW TERMINAL



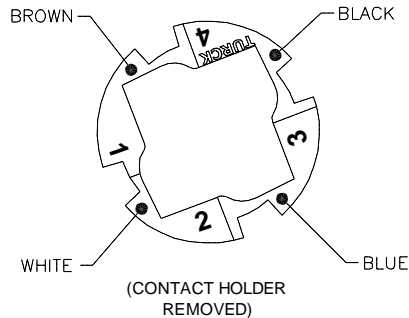
DETAIL "A"

WIRE SIDE VIEW OF CONTACT HOLDER TO SHOW LABEL DETAILS



(SCALE 2:1)

LABEL DETAIL



(CONTACT HOLDER REMOVED)

SOURCE DRAWING - FOR REFERENCE ONLY

RELATED DOCUMENTS 1. 2. 3. 4.	3RD ANGLE PROJECTION 	THIS DRAWING IS CONFIDENTIAL AND THE PROPERTY OF TURCK INC. USE OF THIS DOCUMENT WITHOUT WRITTEN PERMISSION IS PROHIBITED.		3000 CAMPUS DRIVE MINNEAPOLIS, MN 55441 1-800-544-7769 (763) 553-7300 (763) 553-0708 fax turck.com	
	MATERIAL SEE SPECIFICATIONS	DRFT RDS DSGN	DATE 02/11/08 SCALE 1=1.0	DESCRIPTION B 8251-0/PG9/LABEL	
FINISH SEE SPECIFICATIONS	ALL DIMENSIONS DISPLAYED ON THIS DRAWING ARE FOR REFERENCE ONLY	UNIT OF MEASUREMENT MILLIMETERS		IDENTIFICATION NO. U2-12967	REV A
DO NOT SCALE THIS DRAWING		FILE: U2-12967		SHEET 1 OF 1	

A	DRAWING RELEASE	GAR	02/22/08	
REV	DESCRIPTION	BY	DATE	ECO NO.