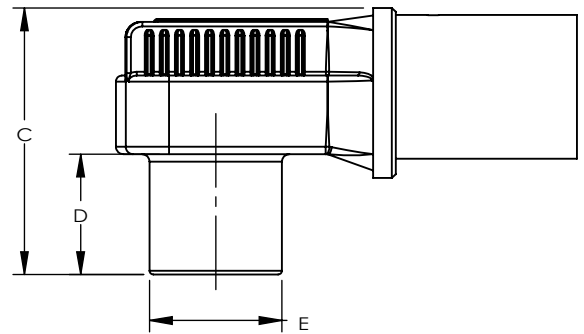
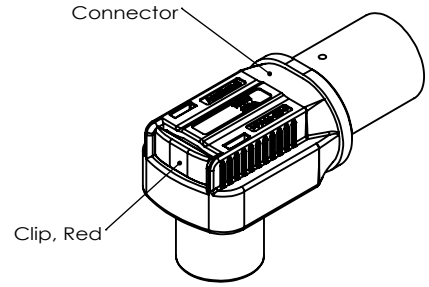
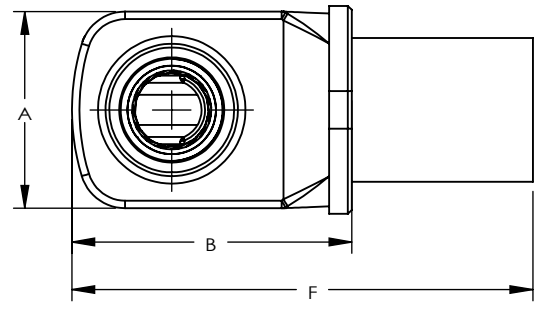


DO NOT READ SCALE FROM PRINT  
 INTERPRET THIS DWG. PER ANSI Y14  
 THIS DRAWING IS THE PROPERTY OF  
 AMPHENOL TECHNICAL PRODUCTS INTERNATIONAL  
 ANY UNSPECIFIED USE OR COPYING IN WHOLE OR IN PART  
 IS STRICTLY PROHIBITED WITHOUT THE WRITTEN PERMISSION OF  
 AMPHENOL TECHNICAL PRODUCTS INTERNATIONAL.

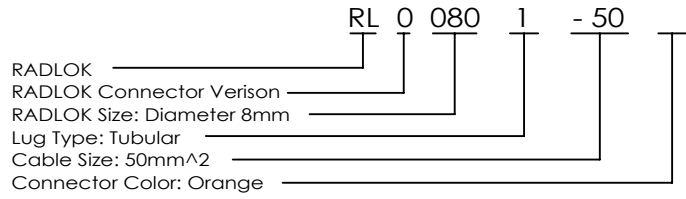
*CUSTOMER DRAWING*

Specification

Size	A(mm)	B(mm)	C(mm)	D(mm)	E(mm)	F(mm)	Wire Size (mm <sup>2</sup> )	Rated Current(A)
3.6	15.5	27	18.3	7.3	8.1	38	10	70
5.7	18.5	33	22.9	9.4	11.2	47.7	25	120
8.0	21.6	38.8	27.7	11.8	14.6	56	35	150
						58	50	200
10.0	31	37	35.3	15.9	17.5	61	95	300
12.0	33	44.5	35.9	15	20	70.5	120	400



Ordering Example:



**Amphenol Technical Products International GZ.**

DWG.TITLE: RADLOK® Connector Tubular Lug Verison	DRAWN BY: DH	DATE: 10/09/2013	APPROVED BY:	DATE:	UNITS: METRIC(MM)
ATPI P/N: See Specification	CUST PART #:	DWG #:	SHT 1 OF 1		

