

CST

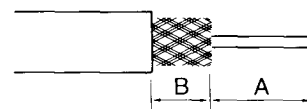
Insulation stripping tool
for coaxial cables from 2.5 to 8mm



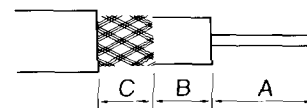
Technical data

Length	100mm
Height	42mm
Width	26mm
Weight	65g

Two Stage



Three Stage









In practice, the stripping of coaxial cables presents problems which require the application of a reliable, easy to handle tool. The adaption of a tool to various coaxial cable types is a complex procedure. Using the CST, it is possible to reduce setting to a minimum and to record the setting once established.

Capacity

- 2 or 3 stage insulation stripping in one work cycle
- Only one basic tool for 2 and 3 stage insulation stripping
- Exchangeable screw holder
- Exchangeable cassettes with standard cutter spacings
- Colour coding of the cutter cassettes
- Adjustable to cable diameter 2.5 - 8mm
- Ergonomic design assisting easy handling

Ordering data

Type	Cat. No.	
Basic tool	903050	
Screw holder	903206	
Cutter cassette	Stripping dimensions ¹⁾	Cat. No.
	Grey 3.9mm = B	903205
	Red 6.0mm = B	903204
	Yellow 12.0mm = B	903203
	Blue 6.5mm = B	903202
	Green 7.1+5.1mm = C+B	903200
	Brown 7.5 + 3.5mm = C+B	903201

¹⁾ Dimension A in accordance with the plug manufacturer's data (not defined by the tool)