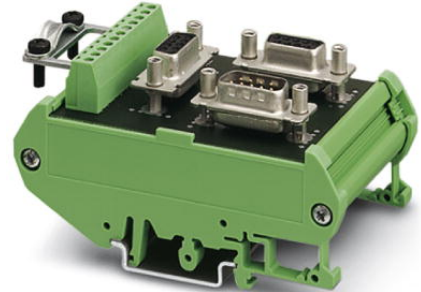


# PSM PTK

Order No.: 2760623

<http://eshop.phoenixcontact.de/phoenix/treeViewClick.do?UID=2760623>

Passive RS-485 T-distributor, fitted with one 9-pin SUB-D pin strip and two 9-pin SUB-D socket strips



Commercial data	
EAN	4017918064327
Pack	1 Pcs.
Customs tariff	85366990
Weight/Piece	0.1148 KG
Catalog page information	Page 475 (IF-2007)

**Product notes**

WEEE/RoHS-compliant since:  
10/06/2006



<http://www.download.phoenixcontact.com>  
Please note that the data given here has been taken from the online catalog. For comprehensive information and data, please refer to the user documentation. The General Terms and Conditions of Use apply to Internet downloads.

Technical data	
<b>General data</b>	
Nominal voltage $U_N$	60 V AC/DC
Nominal current $I_N$	1 A
Bus system	RS-485

Shielding	SUB-D frame or shield connector
Test voltage	500 V AC (50 Hz, 1 min, rms)
Ambient temperature (operation)	-20 °C ... 50 °C
Housing material	PVC
Inflammability class acc. to UL 94	V0
Pin assignment	all 1:1
Length	89.6 mm
Width	56 mm
Height	48 mm

**Connection data**

Connection	Incoming
Number of positions	9
Type of connection	1 x SUB-D 9-pos. (male)
Connection	Outgoing
Number of positions	9
Type of connection	1 x SUB-D 9-pos. (female)
Connection	Branching
Number of positions	9
Type of connection	1 x SUB-D 9-pos. (female)

**Certificates / Approvals**

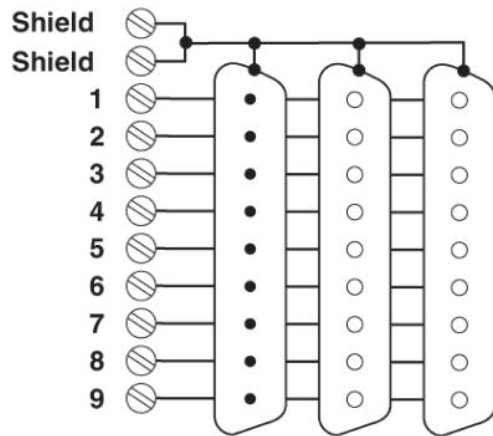
Certification

CUL, GOST, UL

## Drawings

### Circuit diagram

---



**Address**

PHOENIX CONTACT GmbH & Co. KG  
Flachmarktstr. 8  
32825 Blomberg, Germany  
Phone +49 5235 3 00  
Fax +49 5235 3 41200  
<http://www.phoenixcontact.com>



© 2008 Phoenix Contact  
Technical modifications reserved;