

IB IL 24/230 DOR1/W-PAC

Order No.: 2861881




<http://eshop.phoenixcontact.de/phoenix/treeViewClick.do?UID=2861881>

Inline digital output terminal block, complete with accessories (connector and labeling field), 1 relay PDT contact gold contact, 5 - 253 V AC, 3 A



Commercial data

| | |
|--------------------------|--|
| GTIN (EAN) |  4 017918 894580 |
| sales group | K411 |
| Pack | 1 pcs. |
| Customs tariff | 85389091 |
| Catalog page information | Page 279 (AX-2009) |

Product notes

WEEE/RoHS-compliant since:
07/09/2007



<http://www.download.phoenixcontact.com>
Please note that the data given here has been taken from the online catalog. For comprehensive information and data, please refer to the user documentation. The General Terms and Conditions of Use apply to Internet downloads.

Product description

The digital output terminals are designed for the connection of digital actuators, such as electromagnetic valves, contactors or visual indicators.

All the typical applications are covered by the standard automation terminals.

The I/O equipment is connected by a simple or an extended Inline connector, depending on the number of channels. The multi-wire connection method is available in both cases.

The Inline relay terminal makes it possible to switch any I/O voltage up to a maximum of 230 V AC.

Therefore, a relay with a floating PDT contact is integrated in the terminal. Connection to the I/O devices is made with a simple Inline connector.

The Inline terminals can be labeled using hinged labeling fields. The fields have insert cards that can be labeled individually to suit the application. Additionally, there is the proven ZBFM-6... Zack strip for labeling the terminal points.

Technical data

General data

| | |
|--|---|
| Width | 12.2 mm |
| Height | 119.8 mm |
| Depth | 71.5 mm |
| Note on dimensions | Housing dimensions |
| Weight | 46 g |
| Note on weight specifications | Without plug |
| Mounting type | DIN rail |
| Ambient temperature (operation) | -25 °C ... 55 °C |
| Ambient temperature (storage/transport) | -25 °C ... 85 °C |
| Permissible humidity (operation) | 75 % ... 85 % (in the range of -25°C ... +55°C, appropriate measures against increased humidity (> 85%) must be taken.) |
| Permissible humidity (storage/transport) | 75 % ... 85 % (slight temporary condensation may sometimes appear on the housing) |
| Air pressure (operation) | 70 kPa ... 106 kPa (up to 3000 m above sea level) |
| Air pressure (storage/transport) | 70 kPa ... 106 kPa (up to 3000 m above sea level) |
| Degree of protection | IP20 |
| Protection class | I, IEC 61140, EN 61140, VDE 0140-1 |
| Test section | Relay contact / Bus logics 4 kV 50 Hz 1 min Contact to contact 1 kV 50 Hz 1 min Contact / PE 1 kV 50 Hz 1 min |

Interface

| | |
|--------------------|--------------------|
| Name | Local bus |
| Type of connection | Inline data jumper |
| Transmission speed | 500 kBaud |

Power supply for module electronics

| | |
|----------------------------|--|
| Supply voltage | 24 V DC (nominal value) |
| Supply voltage range | 19.2 V DC ... 30 V DC (including all tolerances, including ripple) |
| Communications power U_L | 7.5 V (via voltage jumper) |

| | |
|---------------------|----------------------------------|
| Current consumption | max. 60 mA (from the local bus) |
| Power consumption | max. 0.45 W (from the local bus) |

Inline potential routing

| | |
|--------------------------------|-------------------------|
| Communications power U_L | 7.5 V |
| Current consumption from U_L | max. 60 mA |
| Segment supply voltage U_s | 24 V DC (nominal value) |

Digital outputs

| | |
|------------------------------------|-----------------------------|
| Output name | Relay output |
| Type of connection | Spring-cage connection |
| Connection method | Floating SPDT relay contact |
| Number of outputs | 1 |
| Maximum output current per channel | 3 A |
| Maximum output current per module | 3 A |

Certificates / Approvals



Certification ABS, BV, CUL, DNV, GL, GOST, LR, UL

Certification Ex: CUL-EX LIS, UL-EX LIS

Accessories

| Item | Designation | Description |
|------|-------------|-------------|
|------|-------------|-------------|

General

| | | |
|---------|----------------------|---|
| 2742641 | IB IL DOR LV-SET | Inline distance terminal, without accessories |
| 2742641 | IB IL DOR LV-SET | Inline distance terminal, without accessories |
| 2861645 | IB IL DOR LV-SET-PAC | Inline distance terminal, complete with accessories |

Marking

| | | |
|---------|---------------|---|
| 0809492 | ESL 62X10 | Insert strip for laser printer, lettering field: 62 x 10 mm |
| 0809502 | ESL 62X46 | Insert strip for laser printer, lettering field: 62 x 46 mm |
| 2727501 | IB IL FIELD 2 | Labeling field, width: 12.2 mm |

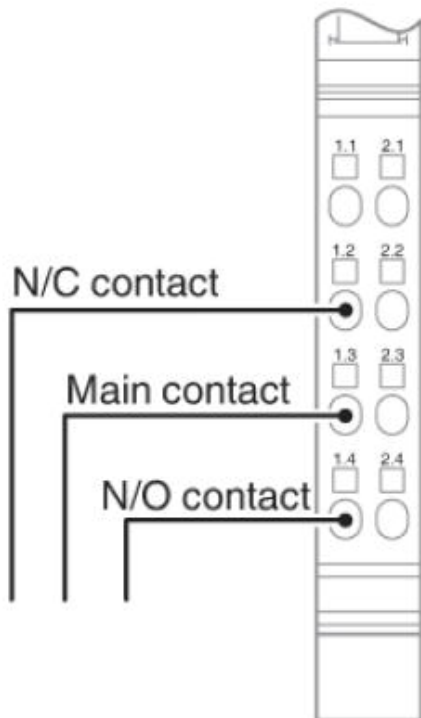
| | | |
|---------|---------------|--------------------------------|
| 2727515 | IB IL FIELD 8 | Labeling field, width: 48.8 mm |
|---------|---------------|--------------------------------|

Plug/Adapter

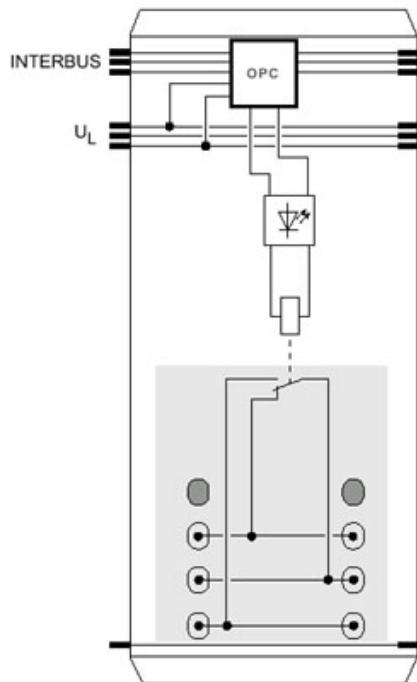
| | | |
|---------|--------------------|--|
| 2742667 | IB IL DOR LV-PLSET | Connector set for distance terminal |
| 2740290 | IB IL SCN-8-AC-REL | Plug, for digital 1, 2 or 8-channel Inline terminals with AC voltage |

Diagrams/Drawings

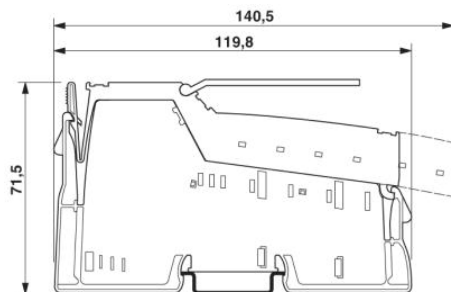
Connection diagram



Block diagram



Dimensioned drawing



Address

PHOENIX CONTACT Deutschland GmbH
Flachmarktstr. 8
32825 Blomberg, Germany
Phone +49 5235 3 12000
Fax +49 5235 3 41200
<http://www.phoenixcontact.de>



© 2011 Phoenix Contact
Technical modifications reserved;