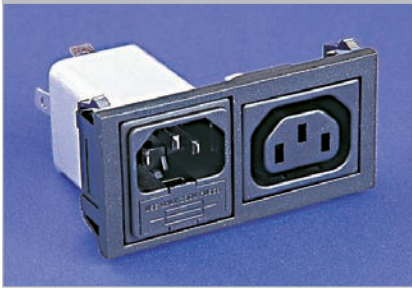
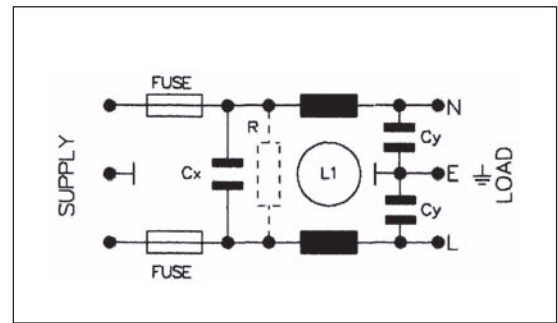


C14 Inlet Twin Fuse - Standard Filter

EMI FILTER OPTIONS



- For Polysnap modules BZV15, BZV16, BZH13, BZH14, BZH15, BZH16, BZH21, BZH22, BVA15, BVA16, BVB15, BVB16
- PF0033 style twin fuse IEC inlet
- Using PS26/A filter
- Standard Attenuation Filter



Bxxxx/A xx x x / xx

Polysnap Part No.	Filter Type	Rating	L/C Circuit	Additional Components	Polysnap Part No.
From Polysnap Selection	A = Standard	02 = 2A 04 = 4A	2 = Version 2	0 = None 1 = Bleed (R) Resistor	From Polysnap Selection

IEC CONNECTORS

Rating	Version	L1	Cx	Cy	Part No. Example
2 AMP	1				BZH13/A0420/00 = BZH style Polysnap module with PF0033 twin fused (5 x 20mm) IEC power inlet, filter rated at 4 amps, L/C circuit version 2 (L1 = 2 x 0.7mH, Cx = 1 x 15nF, Cy = 2 x 2.2nF), without bleed resistor fitted, 6.3mm tabs and no additional components.
"	2	2 x 1.8mH	1 x 15nF	2 x 2.2nF	
"	3				
4 AMP	1				
"	2	2 x 0.7mH	1 x 15nF	2 x 2.2nF	
"	3				

Filter Specification	
Max. Working Voltage:	250V a.c. 50-400Hz
Earth Leakage Current:	<0.35mA (250V. 50Hz)
Temperature Range:	-25°C to +85°C
Max. Ambient Temp.: (@ Full Load)	40°C (derate linearly to 0A @ 85°C)
Test Voltage:	2700V d.c. 2 secs. Lines to Earth 1100V d.c. 2 secs. Live to Neutral
Approvals:	
Attenuation Curves:	See PS26/A filter, page 142