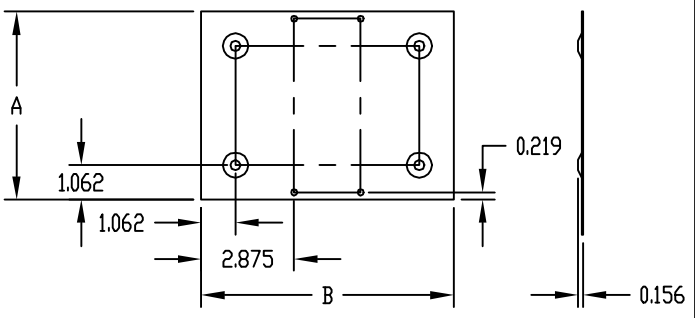
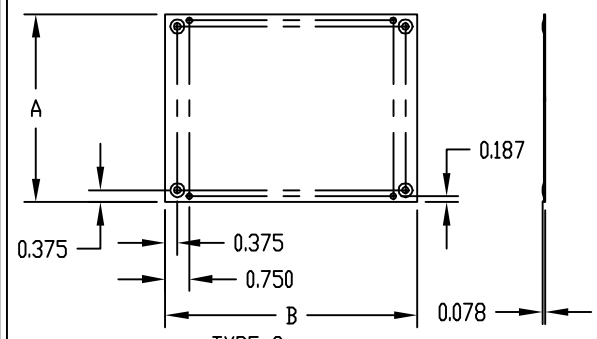


TYPE A



TYPE B



TYPE C

TYPE A AND TYPE B  
(4) EMBOSSED FEET 0.781 DIA.

TYPE C  
(4) EMBOSSED FEET 0.437 DIA.

MOUNTING HOLES 0.187 DIA.

MATERIAL:  
"BPA" PREFIX 0.040 ALUMINUM

FINISH:  
NATURAL

| PART No.<br>ALUMINUM<br>NATURAL FINISH | A      | B      | TYPE | WGT.<br>IN OZS. |
|--|--------|--------|------|-----------------|
| BPA-1502                               | 3.375  | 4.375  | C    | 1               |
| BPA-1504                               | 3.875  | 4.875  | C    | 2               |
| BPA-1505                               | 3.875  | 5.875  | C    | 2               |
| BPA-1507                               | 4.375  | 7.875  | C    | 3               |
| BPA-1513                               | 5.812  | 7.812  | A    | 3               |
| BPA-1514                               | 5.812  | 13.812 | B    | 5               |
| BPA-1515                               | 5.812  | 16.812 | B    | 6               |
| BPA-1516                               | 6.812  | 14.812 | B    | 8               |
| BPA-1517                               | 6.812  | 16.812 | B    | 8               |
| BPA-1518                               | 7.812  | 9.812  | B    | 4               |
| BPA-1519                               | 7.812  | 11.812 | B    | 6               |
| BPA-1520                               | 7.812  | 16.812 | B    | 8               |
| BPA-1522                               | 8.812  | 14.812 | B    | 8               |
| BPA-1523                               | 9.812  | 11.812 | B    | 8               |
| BPA-1524                               | 9.812  | 13.812 | B    | 8               |
| BPA-1527                               | 11.812 | 11.812 | A    | 10              |
| BPA-1528                               | 11.812 | 16.812 | B    | 12              |
| BPA-1529                               | 13.812 | 16.812 | B    | 15              |
| BPA-1530                               | 14.812 | 16.812 | A    | 16              |
| BPA-1531                               | 16.812 | 16.812 | A    | 17              |
| BPA-1589                               | 4.812  | 6.812  | A    | 2               |
| BPA-1590                               | 4.875  | 9.375  | C    | 2               |
| BPA-1591                               | 4.812  | 9.812  | A    | 4               |
| BPA-1592                               | 6.812  | 6.812  | A    | 3               |
| BPA-1593                               | 6.812  | 8.812  | A    | 4               |
| BPA-1594                               | 6.812  | 10.812 | B    | 4               |
| BPA-1595                               | 6.812  | 11.812 | B    | 5               |
| BPA-1596                               | 6.812  | 12.812 | B    | 8               |
| BPA-1597                               | 9.812  | 16.812 | B    | 10              |
| BPA-1598                               | 12.812 | 16.812 | B    | 14              |