

## Thermal device circuit breaker - TCP 30/DC32V - 0700030

Please be informed that the data shown in this PDF Document is generated from our Online Catalog. Please find the complete data in the user's documentation. Our General Terms of Use for Downloads are valid (<http://phoenixcontact.com/download>)




Thermal device circuit breaker, number of positions: 1, nominal current: 30 A, nom. voltage: 32 V, width: 6 mm, fuse type: Slow-blow, fuse type: Automatic device, mounting type: on base element, Color: light green

### Why buy this product

- A version with screw or spring-cage connection is used as a basic terminal block
- Compact design with precise nominal current levels
- A version with screw or spring-cage connection is used as a basic terminal block
- In the event of an error, the time-sensitive search for a suitable replacement fuse is eliminated thanks to the reclosure function
- Fits in all fuse holders designed for flat-type fuse inserts according to ISO 8820-3 (DIN 72581-3)
- The plug-in thermal miniature circuit-breaker combines the protective mechanism of an automotive flat-type fuse with the advantages of a circuit-breaker
- The area of application extends to the protection of integrated circuits in all battery and onboard systems with up to 32 V DC

### Key Commercial Data

Packing unit	50 STK
GTIN	 4 046356 079884
GTIN	4046356079884

### Technical data

#### General

Mounting type	on base element
Color	light green
Number of positions	1
Insulating material	PA

#### Electrical data

Fuse	Slow-blow
Fuse type	Automatic device
Rated voltage	32 V DC

# Thermal device circuit breaker - TCP 30/DC32V - 0700030

## Technical data

### Electrical data

Rated current $I_N$	30 A
Rated short-circuit switching capacity $I_{cn}$	150 A ( $\geq 3$ switch-offs)
	2000 A ( $\geq 1$ switch-off)
	$\leq 50$ A (300 switch-offs)

### Dimensions

Height	20.3 mm
Width	6 mm
Depth	24 mm

### Ambient conditions

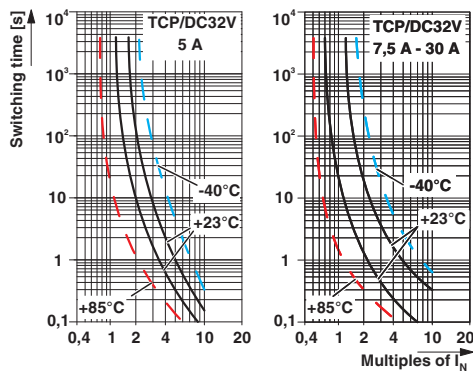
Degree of protection	IP30 (Actuation area)
Ambient temperature (operation)	-40 °C ... 85 °C

### Environmental Product Compliance

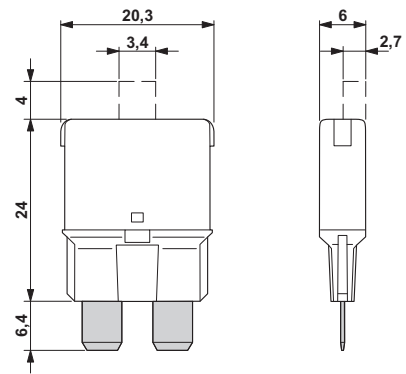
China RoHS	Environmentally friendly use period: unlimited = EFUP-e
	No hazardous substances above threshold values

## Drawings

Diagram

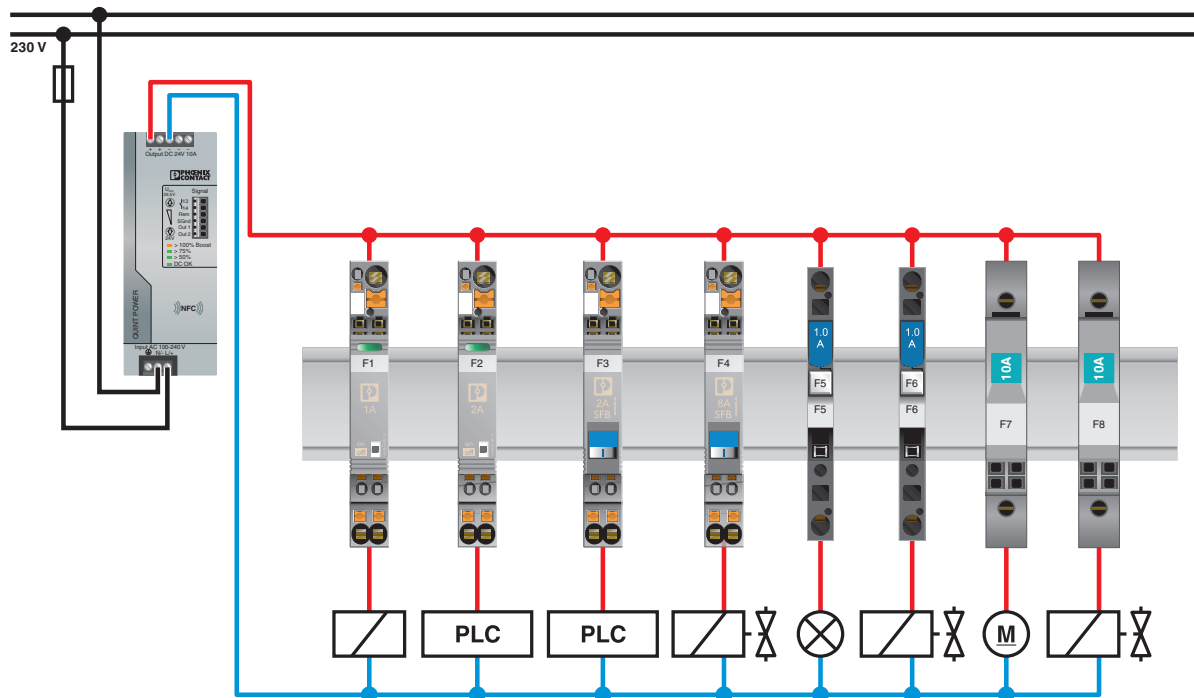


Dimensional drawing



# Thermal device circuit breaker - TCP 30/DC32V - 0700030

Application drawing



Approvals

Approvals

Approvals

EAC / EAC

Ex Approvals

Approval details

EAC		RU C- DE.A*30.B01546
-----	--	-------------------------

## Thermal device circuit breaker - TCP 30/DC32V - 0700030

### Approvals

EAC



EAC-Zulassung

Phoenix Contact 2018 © - all rights reserved  
<http://www.phoenixcontact.com>

PHOENIX CONTACT GmbH & Co. KG  
Flachsmarktstr. 8  
32825 Blomberg  
Germany  
Tel. +49 5235 300  
Fax +49 5235 3 41200  
<http://www.phoenixcontact.com>