

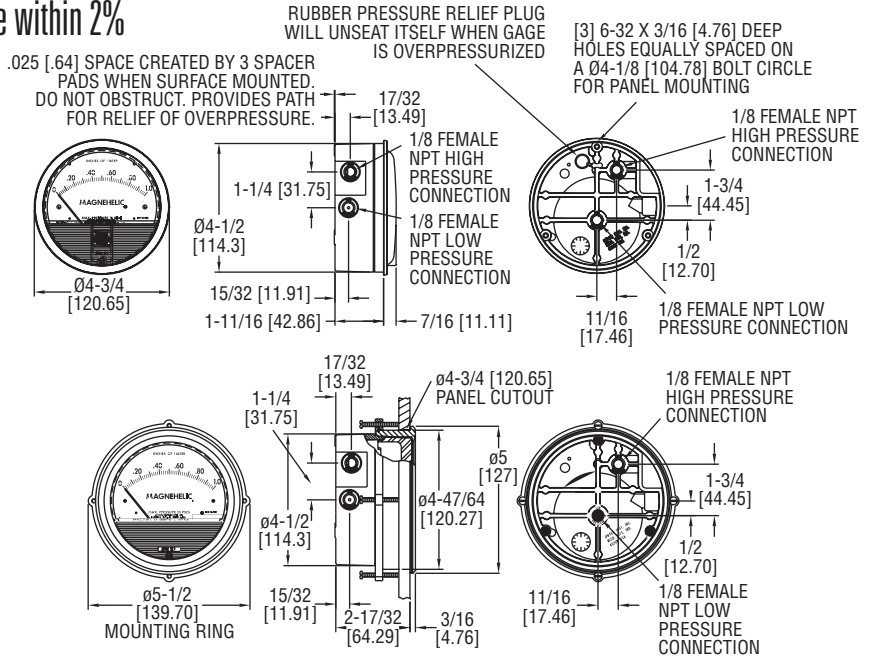


# MAGNEHELIC® DIFFERENTIAL PRESSURE GAGES

Indicate Positive, Negative or Differential, Accurate within 2%



Scan here to watch product video



Select the **SERIES 2000** Magnehelic® Gage for high accuracy--guaranteed within 2% of full scale--and for the wide choice of 81 models available to suit your needs precisely. Using Dwyer's simple, frictionless Magnehelic® gage movement, it quickly indicates low air or non-corrosive gas pressures--either positive, negative (vacuum) or differential. The design resists shock, vibration and over-pressures.

### FEATURES/BENEFITS

- Easy to read gage through undistorted plastic face permits viewing from far away
- Patented design provides quick response to pressure changes means no delay in assessing critical situations
- Durable and rugged housing and high-quality components combine to provide long-service life and minimized down-time

### APPLICATIONS

- Filter monitoring
- Air velocity with Dwyer pitot tube
- Blower vacuum monitoring
- Fan pressure indication
- Duct, room or building pressures
- Clean room positive pressure indication

### SPECIFICATIONS

**Service:** Air and non-combustible, compatible gases (natural gas option available). Note: May be used with hydrogen. Order a Buna-N diaphragm. Pressures must be less than 35 psi.

**Wetted Materials:** Consult factory.

**Housing:** Die cast aluminum case and bezel, with acrylic cover. Exterior finish is coated gray to withstand 168 hour salt spray corrosion test.

**Accuracy:** ±2% of FS (±3% on -0, -100PA, -125PA, -10MM and ±4% on -00, -60PA, -6MM ranges), throughout range at 70°F (21.1°C).

**Pressure Limits:** -20 in Hg to 15 psig† (-0.677 to 1.034 bar); MP option: 35 psig (2.41 bar); HP option: 80 psig (5.52 bar).

**Overpressure:** Relief plug opens at approximately 25 psig (1.72 bar), standard gages only. **ⓘ**

**Temperature Limits:** 20 to 140°F\* (-6.67 to 60°C). -20°F (-28°C) with low temperature option.

**Size:** 4" (101.6 mm) diameter dial face.

**Mounting Orientation:** Diaphragm in vertical position. Consult factory for other position orientations.

**Process Connections:** 1/8" female NPT duplicate high and low pressure taps - one pair side and one pair back.

**Weight:** 1 lb 2 oz (510 g), MP & HP 2 lb 2 oz (963 g).

**Standard Accessories:** Two 1/8" NPT plugs for duplicate pressure taps, two 1/8" pipe thread to rubber tubing adapter, and three flush mounting adapters with screws. (Mounting and snap ring retainer substituted for three adapters in MP & HP gage accessories.)

**Agency Approvals:** Meets the technical requirements of EU Directive 2011/65/EU (RoHS II). Note: -SP models not RoHS approved.

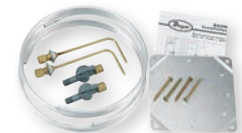
**Note:** For applications with high cycle rate within gage total pressure rating, next higher rating is recommended. See Medium and High pressure options.

\*Low temperature models available as special options.

| ACCESSORIES |   |
|-------------|---|
| Model       | Description   |
| A-432       | Portable kit; combine carrying case with any Magnehelic® gage of standard range, except high pressure connection. Includes 9 ft (2.7 m) of 3/16" ID rubber tubing, standhang bracket and terminal tube with holder  |
| A-605       | Air filter gage accessory kit; adapts any standard Magnehelic® gage for use as an air filter gage. Includes aluminum surface mounting bracket with screws, two 5 ft (1.5 m) lengths of 1/4" aluminum tubing, two static pressure tips and two molded plastic vent valves, integral compression fittings on both tips and valves |
| A-605B      | Air filter gage accessory kit; air filter kit with two plastic open/close valves, two 4" steel static tips, plastic tubing and mounting flange  |
| A-605C      | Air filter gage accessory kit; air filter kit with two plastic open/close valves, two plastic static tips, plastic tubing and mounting flange   |



A-432



A-605

ⓘ Over Protection Note: See page 5 (Series 2000)

# MAGNEHELIC® DIFFERENTIAL PRESSURE GAGES

Indicate Positive, Negative or Differential, Accurate within 2%

**Bezel** provides flange for flush mounting in panel.

**Clear plastic face** is highly resistant to breakage. Provides undistorted viewing of pointer and scale.

**Precision litho-printed scale** is accurate and easy to read.

**Calibrated range** spring is flat spring steel. Small amplitude of motion assures consistency and long life. It reacts to pressure on diaphragm. Live length adjustable for calibration.

**Red tipped pointer** of heat treated aluminum tubing is easy to see. It is rigidly mounted on the helix shaft.

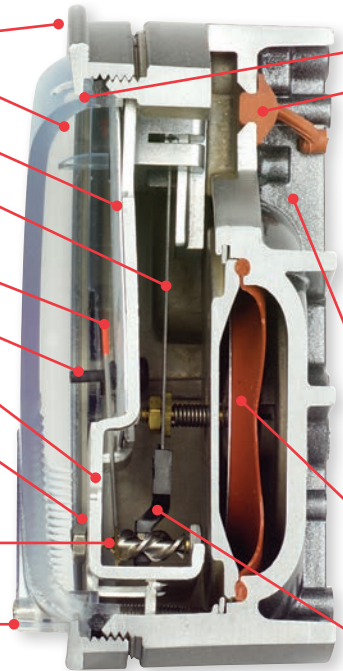
**Pointer stops** of molded rubber prevent pointer over-travel without damage.

**“Wishbone” assembly** provides mounting for helix, helix bearings and pointer shaft.

**Jeweled bearings** are shock-resistant mounted; provide virtually friction-free motion for helix. Motion damped with high viscosity silicone fluid.

**Helix** is precision made from an alloy of high magnetic permeability. Mounted in jeweled bearings, it turns freely, following the magnetic field to move the pointer across the scale.

**Zero adjustment screw** is conveniently located in the plastic cover, and is accessible without removing cover. O-ring seal provides pressure tightness.



**O-ring seal** for cover assures pressure integrity of case.

**OVERPRESSURE PROTECTION**

**Blowout plug** is comprised of a rubber plug on the rear which functions as a relief valve by unseating and venting the gage interior when over pressure reaches approximately 25 psig (1.7 bar). To provide a free path for pressure relief, there are four spacer pads which maintain 0.023” clearance when gage is surface mounted. Do not obstruct the gap created by these pads.

The blowout plug is not used on models above 180” of water pressure, medium or high pressure models, or on gages which require an elastomer other than silicone for the diaphragm.

The blowout plug should not be used as a system overpressure control. High supply pressures may still cause the gage to fail due to over pressurization, resulting in property damage or serious injury. Good engineering practices should be utilized to prevent your system from exceeding the ratings of any component.

**Die cast aluminum case** is precision made and iridite-dipped to withstand 168 hour salt spray corrosion test. Exterior finished in baked dark gray hammerloid. One case size is used for all standard pressure options, and for both surface and flush mounting.

**Silicone rubber diaphragm** with integrally molded O-ring is supported by front and rear plates. It is locked and sealed in position with a sealing plate and retaining ring. Diaphragm motion is restricted to prevent damage due to overpressures.

**Samarium Cobalt magnet** mounted at one end of range spring rotates helix without mechanical linkages.

**MODEL CHART**

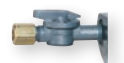
| Model              | Range, Inches of Water | Model              | Range, PSI         | Model              | Range, MM of Water | Model                            | Range, kPa          | Dual Scale Air Velocity Units<br>For use with pitot tube |
|--------------------|------------------------|--------------------|--------------------|--------------------|--------------------|----------------------------------|---------------------|--|
| 2000-00N†**        | 0.05-0-.2              | 2201               | 0-1                | 2000-6MM†**        | 0-6                | 2000-0.5KPA                      | 0-0.5               | Range, in w.c./ Velocity F.P.M.                          |
| 2000-00†**         | 0-.25                  | 2202               | 0-2                | 2000-10MM†*        | 0-10               | 2000-1KPA                        | 0-1                 |  |
| 2000-0†*           | 0-.50                  | 2203               | 0-3                | 2000-15MM          | 0-15               | 2000-1.5KPA                      | 0-1.5               | Model  |
| 2001               | 0-1.0                  | 2204               | 0-4                | 2000-25MM          | 0-25               | 2000-2KPA                        | 0-2                 |  |
| 2002               | 0-2.0                  | 2205               | 0-5                | 2000-30MM          | 0-30               | 2000-2.5KPA                      | 0-2.5               | 2000-0AV†*   |
| 2003               | 0-3.0                  | 2210*              | 0-10               | 2000-50MM          | 0-50               | 2000-3KPA                        | 0-3                 |  |
| 2004               | 0-4.0                  | 2215*              | 0-15               | 2000-80MM          | 0-80               | 2000-4KPA                        | 0-4                 | 2002AV   |
| 2005               | 0-5.0                  | 2220*              | 0-20               | 2000-100MM         | 0-100              | 2000-5KPA                        | 0-5                 |  |
| 2006               | 0-6.0                  | 2230**             | 0-30               | 2000-125MM         | 0-125              | 2000-8KPA                        | 0-8                 | 2010AV   |
| 2008               | 0-8.0                  | Model              | Range, CM of Water | 2000-150MM         | 0-150              | 2000-10KPA                       | 0-10                |  |
| 2010               | 0-10                   |                    |                    | 2000-200MM         | 0-200              | 2000-15KPA                       | 0-15                | 0-0.50/<br>500-2800                                      |
| 2012               | 0-12                   | 2000-250MM         | 0-250              | 2000-20KPA         | 0-20               | 2000-5KPA                        | 0-5.0/<br>1000-5600 |  |
| 2015               | 0-15                   | 2000-300MM         | 0-300              | 2000-25KPA         | 0-25               |                                  | 2000-8KPA           | 0-8  |
| 2020               | 0-20                   | Zero Center Ranges |                    | 2000-150MM         | 0-150              | 2000-10KPA                       | 0-10                | 0-2.0/<br>1000-5600                                      |
| 2025               | 0-25                   | 2000-20CM          | 0-20               | 2300-6MM†**        | 3-0-3              | 2000-15KPA                       | 0-15                |  |
| 2030               | 0-30                   | 2000-25CM          | 0-25               | 2300-10MM†*        | 5-0-5              | 2000-20KPA                       | 0-20                | 0-10/<br>2000-12500                                      |
| 2040               | 0-40                   | 2000-50CM          | 0-50               | 2300-20MM†*        | 10-0-10            | 2000-25KPA                       | 0-25                |  |
| 2050               | 0-50                   | 2000-80CM          | 0-80               | Zero Center Ranges |                    | 2000-30KPA                       | 0-30                | 2000-12500   |
| 2060               | 0-60                   | 2000-100CM         | 0-100              | Model              |                    | 2300-1KPA                        | 5-0-.5              |  |
| 2080               | 0-80                   | 2000-150CM         | 0-150              | Range, Pa          |                    | 2300-2KPA                        | 1-0-1               | 2000-12500   |
| 2100               | 0-100                  | 2000-200CM         | 0-200              | 2000-60NPA†**      | 10-0-50            | 2300-2.5KPA                      | 1.25-0-1.25         |  |
| 2120               | 0-120                  | 2000-250CM         | 0-250              | 2000-60PA†**       | 0-60               | 2300-3KPA                        | 1.5-0-1.5           | 2000-12500   |
| 2150               | 0-150                  | 2000-300CM         | 0-300              | 2000-100PA†*       | 0-100              | Dual Scale English/Metric Models |                     |  |
| 2160               | 0-160                  | Zero Center Ranges |                    | 2000-125PA†*       | 0-125              | Model                            | Range, in w.c.      | 2000-12500   |
| 2180*              | 0-180                  | 2300-4CM           | 2-0-2              | 2000-250PA         | 0-250              | 2000-00D†**                      | 0-25                |  |
| 2250*              | 0-250                  | 2300-10CM          | 5-0-5              | 2000-300PA         | 0-300              | 2000-0D†*                        | 0-0.5               | 2000-12500   |
| Zero Center Ranges |                        | 2300-30CM          | 15-0-15            | 2000-500PA         | 0-500              | 2001D                            | 0-1.0               |  |
| 2300-00†**         | 0.125-0-0.125          | Zero Center Ranges |                    | 2000-750PA         | 0-750              | 2002D                            | 0-2.0               | 2000-12500   |
| 2300-0†*           | .25-0-.25              | Model              |                    | 2000-1000PA        | 0-1000             | 2003D                            | 0-3.0               |  |
| 2301               | .5-0-.5                | Range, Pa          |                    | Zero Center Ranges |                    | 2004D                            | 0-4.0               | 2000-12500   |
| 2302               | 1-0-1                  | 2300-60PA†**       | 30-0-30            | Model              |                    | 2005D                            | 0-5.0               |  |
| 2304               | 2-0-2                  | 2300-100PA†*       | 50-0-50            | Range, Pa          |                    | 2006D                            | 0-6.0               | 2000-12500   |
| 2310               | 5-0-5                  | 2300-120PA         | 60-0-60            | 2300-60PA†**       | 30-0-30            | 2008D                            | 0-8.0               |  |
| 2320               | 10-0-10                | 2300-200PA         | 100-0-100          | 2300-100PA†*       | 50-0-50            | 2010D                            | 0-10                | 2000-12500   |
| 2330               | 15-0-15                | 2300-250PA         | 125-0-125          | 2300-120PA         | 60-0-60            | 2015D                            | 0-15                |  |
|                    |                        | 2300-300PA         | 150-0-150          | 2300-200PA         | 100-0-100          | 2020D                            | 0-20                | 2000-12500   |
|                    |                        | 2300-500PA         | 250-0-250          | 2300-250PA         | 125-0-125          | 2025D                            | 0-25                |  |
|                    |                        | 2300-1000PA        | 500-0-500          | 2300-300PA         | 150-0-150          | 2050D                            | 0-50                | 2000-12500   |
|                    |                        |                    |                    | 2300-500PA         | 250-0-250          | 2060D                            | 0-60                |  |
|                    |                        |                    |                    | 2300-1000PA        | 500-0-500          |                                  |                     | 2000-12500   |

**VELOCITY AND VOLUMETRIC FLOW UNITS**

Scales are available on the Magnehelic® that read in velocity units (FPM, m/s) or volumetric flow units (SCFM, m³/s, m³/h). Stocked velocity units with dual range scales in inches w.c. and feet per minute are shown above. For other ranges contact the factory. When ordering volumetric flow scales please specify the maximum flow rate and its corresponding pressure. Example: 0.5 in w.c. = 16,000 CFM.

**ACCESSORIES**

| Model  | Description  |
|--------|--|
| A-321  | Safety relief valve  |
| A-448  | 3-piece magnet kit for mounting Magnehelic® gage directly to magnetic surface  |
| A-135  | Rubber gasket for panel mounting   |
| A-401  | Plastic carry case   |
| A-310A | 3-way vent valves. In applications where pressure is continuous and the Magnehelic® gage is connected by metal or plastic tubing which cannot be easily removed, we suggest using Dwyer A-310A vent valves to connect gage. Pressure can then be removed to check or re-zero the gage. |



A-310A