

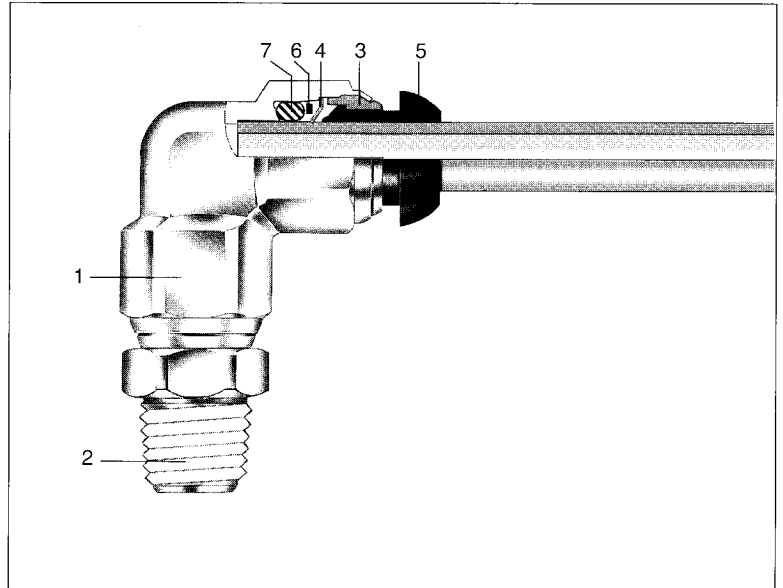
Principle

For more than 20 years, Parker Hannifin has designed and manufactured push-in fittings recognised worldwide for their quality and reliability.

During this period Prestolok has benefited from continuous improvement and is now one of the most advanced push-in fittings on the market.

Prestolok uses "elastic teeth" grab ring technology invented and perfected by Parker, who guarantee its excellent tube retention qualities.

Prestolok can be used not only with most types of plastic tubing available on the market, but also with some metal tubing, making it suitable for a wider range of applications.



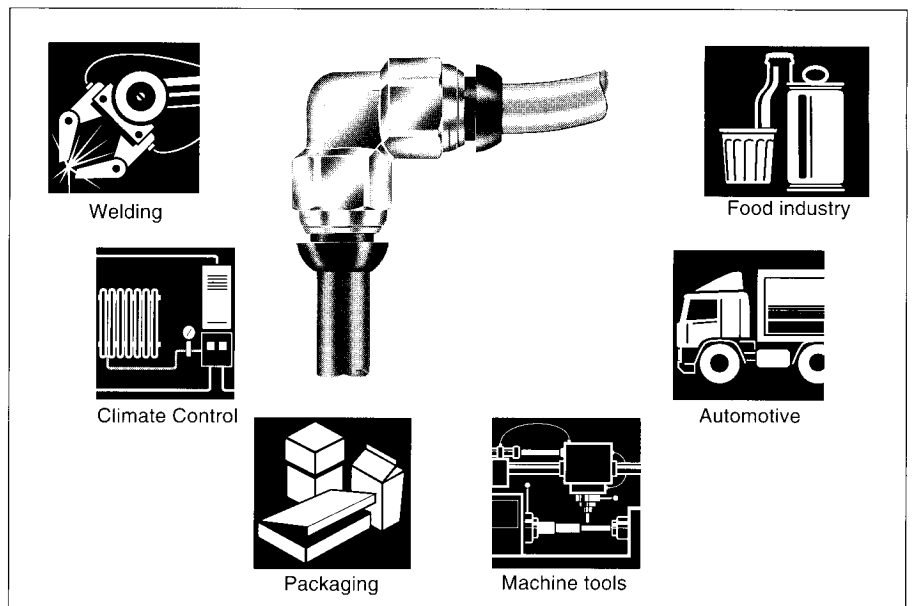
Technical features

Material							Working pressure	Working temperature
1	2	3	4	5	6	7		
Body	Threaded parts	Sleeve	Grab ring	Push button	Back-up washer	O-Ring	From 0.01 to 25 bar	From - 25° C to + 100° C
Brass nickel plated	Brass nickel plated	Brass nickel plated	Stainless steel	Polyacetal	Brass	Nitrile		

Applications

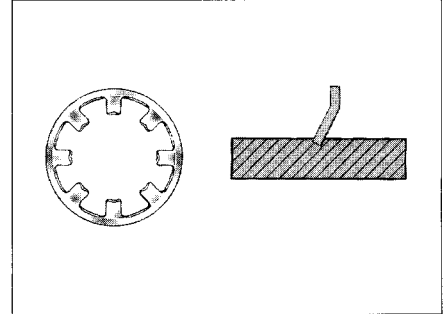
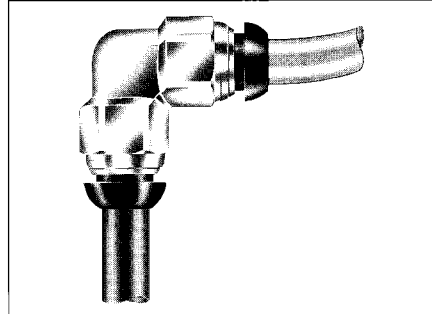
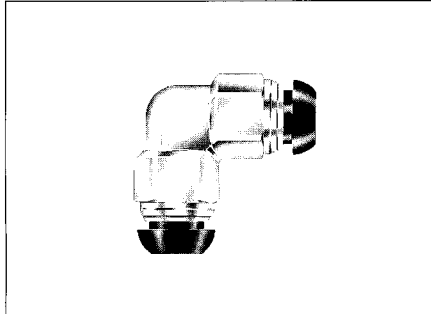
Prestolok has been designed to handle many industrial fluids compatible with its technical features (water, grease, cutting oil, compressed air, etc...).

Thanks to its mechanical properties, Prestolok is a push-in fitting particularly suited to the most severe environments, such as welding, high temperatures, vibration.



Advantages

- Compact ready-to-use fitting
- Wide product range covering all applications
- Full flow capability



Brass nickel plated body

Brass is a raw material providing :

- robustness,
- excellent shock resistance,
- good temperature capability,
- excellent spark resistance.

Nickel plating gives improved corrosion resistance and a bright appearance which does not deteriorate.

Use with plastic or metal tubing

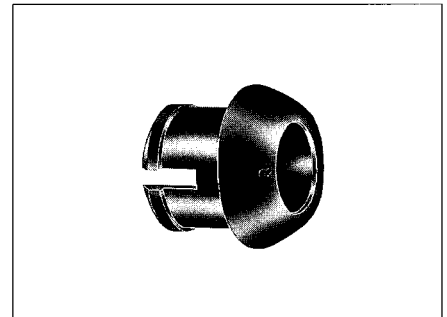
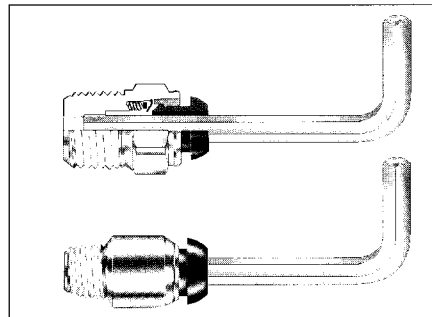
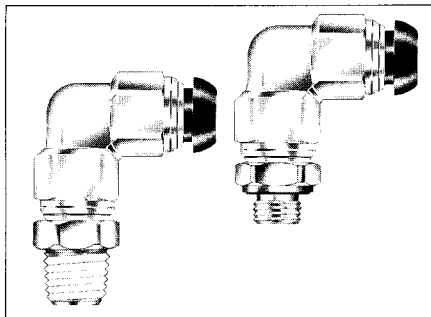
Prestolok is a high performance push-in fitting.

Designed for use with most types of plastic tubing (polyamide, polyurethane, polyethylene, Pebax, Teflon...), this high performance fitting can also be used with copper tubing* conforming to DIN 1786, NFA51-120, BS 2871 Part 2 (tolerance ± 0.05 mm). For steel, stainless steel tubing or other raw material, please contact your Parker sales engineer.

* Tube must be cut square and correctly deburred.

Positive hold by a flexible stainless steel grab ring

- The special shape of the radial teeth of the grab ring prevents longitudinal scratch marks on the tube.
- The elasticity of the grab ring absorbs vibration and pulsating pressure.
- A twist-free assembly, the tube can rotate freely even under pressure.



Ready-to-use fitting

The Prestolok range is manufactured with brass nickel plated male threads ready for use :

- parallel threads are supplied with a preassembled, fully retained O-Ring seal,
- taper threads are treated with a special Parker Teflon® Coating (PTC) for self sealing on assembly, reusable up to five times without additional sealing material.

Straight male connectors with internal hexagon

- The internal hexagon allows vertical mounting with the use of an Allen key. Because the internal hexagon does not go completely through the fitting, the fitting cannot slip down the Allen key during assembly.
- The lack of external hexagon gives a significant reduction in the overall dimensions enabling close mounting of these fittings to give very compact installations.

Plastic push button

- Simple manual pressure on the user-friendly push button allows instant disconnection of the tube.
- Tube sizes are marked on the push button for easy identification.

How to use

Assembly

- Cut the tube square (and correctly deburred for copper)
- Insert the tube into the fitting until it bottoms

Disassembly

- Simply press on the push button and withdraw the tube