

Subracks - *europac* **PRO** rugged

Cabinets 1

Wall mounted cases 2

Accessories for cabinets and wall mounted cases . 3

Climate control . 4

Electronics cases 5

Subracks/ 19" chassis 6

Front panels, plug-in units ... 7

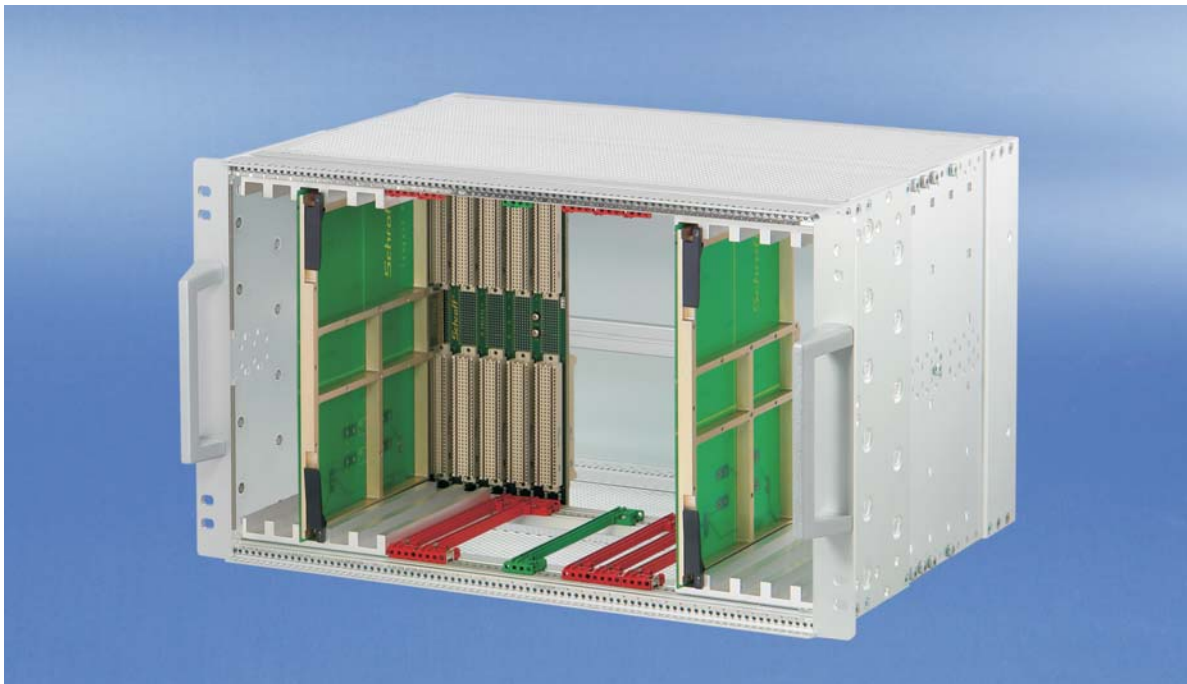
Systems 8

Power supply units 9

Backplanes ... 10

Connectors, front panel component system 11

Appendix 12

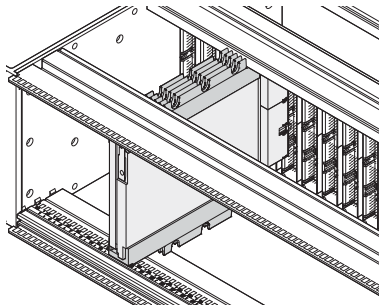


06112020



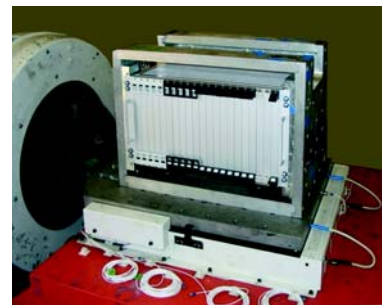
06112004

"rugged" horizontal rail with 3 hole fixing for increased stability (+60 % compared to 2 hole fixing of "heavy" horizontal rail)



06112052

Special adaptor rails allow conducted cooled assemblies to be fitted



Y-axis_001a1

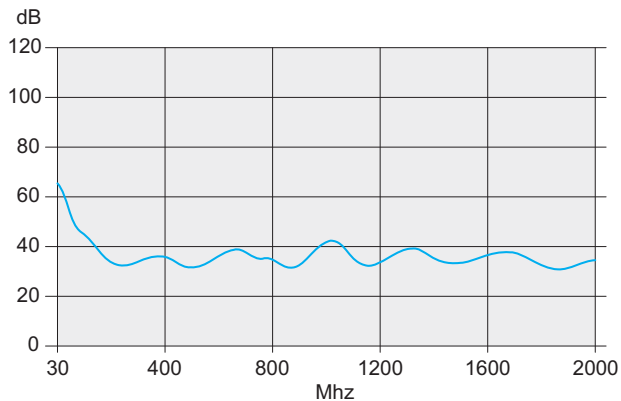
Shock and vibration resistant in all three axial directions

Standards/Approvals

- Internal and external dimensions in accordance with:
IEC 60297-3-100, -101, -102, -103, -104, -105, IEEE 1101.1, IEEE 1101.10/11
- Type of protection IP 20, in accordance with IEC 60529
- EMC testing to IEC 61587-3
- Shock and vibration test report;
MIL 167, IEC 61587 DL 3, MIL 810 G, MIL 901

Note

- Other finishes e.g. yellow chromated on request
- Subrack with telescopic slides can be adapted for cabinet mounting on request



EMC curve

06108081



Downloads and additional important information can be found on the Internet under www.schaffner.biz

19" subracks

- Shock and vibration resistant up to 25 g
- Kits or individually configured subracks
- A product and accessory platform for the most different customers' requirements and applications
- Suitable for CompactPCI and VMEbus insertion and extractor handles
- EMC shielding can easily be retrofitted
- 3D PDF or CAD 3D data available for download

Introduction . . . 6.4

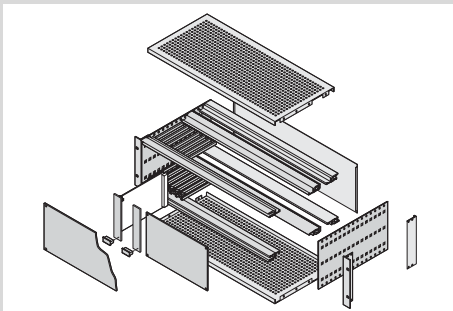


06112017

Kits

- All required parts are available under one part number, even partly assembled
- Most popular versions and dimensions available from stock
- For installed loads over 15 kg up to 60 kg
- Supplied as a space-saving flat pack

Kits 6.94



06105058

ServicePLUS individual configuration

- Single parts may individually be configured, respectively assembled on request (from quantity 1)
- Wide range of variants in height, width and depth
- Guide rails for different applications
- EMC shielding material to improve EMC performance
- Other accessories and assembly kits

Individual configuration . . 6.97



30407004

ServicePLUS from page 6.95

- e.g. modification (cut-outs)
- e.g. downloads (CAD drawings, user manuals, test reports)
- e.g. custom solutions (special depths, electromagnetically shielded applications)

www.schroff.biz/ServicePLUS

ServicePLUS . . . 6.95
Application examples 6.71

europacPRO . . . 6.6

Subracks for mobile railway applications . . . 6.70

europacPRO for industrial applications . . . 6.86

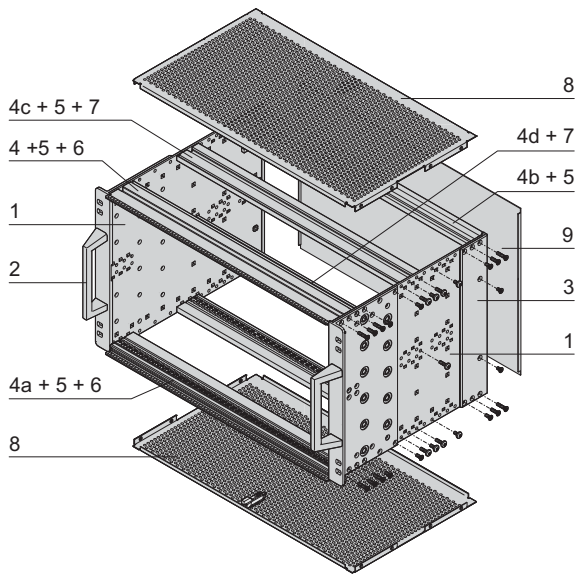
Subracks - *europac*PRO rugged

Kit, rugged, shielded,
for backplane mounting



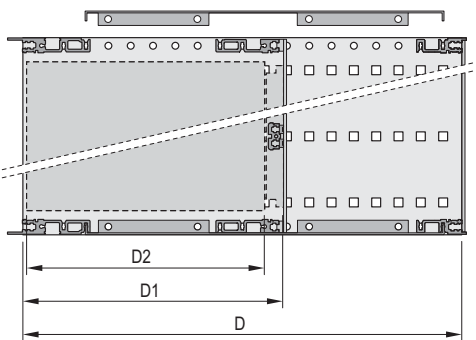
Illustration shows 3 U subrack

06112017



6 U

06112055



D = overall depth, D1 = insertion depth,
D2 = board depth = D1 - 15 mm

06112054



04400001

Rear horizontal rail for backplane mounting with insulation strip

- Subrack with robust side panel and horizontal rail, type R "rugged"
- Rear horizontal rail for backplane mounting with insulation strip
- Shielding typically 40 dB at 1 GHz, 30 dB at 2 GHz (as per VG 95373, part 15), on condition that the front is closed with sealed front panels
- Shock and vibration resistant to 25 g

NEW

Delivery comprises (Kit)

Item	Qty		Description
	3 U	6 U	
1	2	2	Side panel type R, Al, 3 mm, clear passivated, with 19" support bracket 3.5 mm (tox-cold welded); for EMC gasketing (textile)
2	2	2	Front handle incl. fixing material kit
3	2	2	Rear corner profile for EMC gasketing (textile)
4	1	-	Front horizontal rail (R-KD)
4a	1	2	Front horizontal rail (R-LD)
4b	2	2	Rear horizontal rail (H-KD)
4c	2	2	Rear horizontal rail, centre (R-ST)
4d	-	1	Rear horizontal rail, centre (ST)
5	6	8	Threaded insert (pre-fitted)
6	2	2	Perforated strip (pre-fitted)
7	2	4	Insulation strip (pre-fitted)
8	2	2	EMC cover plate, rugged, with top cover locking
9	1	1	EMC rear panel
10	1	1	EMC gasketing material, fixing material kit, user manual

Order Information

Height	Width	Depth D	Depth D1	Part no.
U	HP	mm	mm	
3	84	295	175	24567-149
6	84	295	175	24567-449

Accessories

Guide rails, accessories, 160 mm deep	
PBT, UL 94 V-0, red, groove width 2 mm, PU 10 pieces	24560-351
Torx panhead screw 2.5 × 9.3, zinc-plated, PU 100 pieces; torque max. 0.2 Nm	24560-141
ESD clip for guide rails PU 50 pieces	24560-255
Guide rail accessories for heavy PCBs, extra strong	
Al extrusion, groove width 2 mm, 160 mm deep, 1 piece (SPQ 10)	34562-881
Torx pan head screw 2.5 × 7.3, zinc flake coating, black, 100 pieces; torque max. 0.2 Nm	24560-157
Adaptor to accommodate conduction cooled assemblies (CCA) for VPX applications, 160 mm deep, PU 1 pair; includes fixing material kit	24566-004
Adaptor to accommodate conduction cooled assemblies (CCA) for CompactPCI applications, 160 mm deep, PU 1 pair; includes fixing material kit	24566-005
19" dual fixing materials kit suitable for a subrack with double fixing holes (bolts, washers and nuts), PU 1 kit	24566-109

Note

- Test reports online
- For further accessories see from page 6.19

Subracks - *europacPRO* rugged ServicePLUS



configuration

Simple. Fast. To the ideal product.

Components can be varied and combined freely

- Configuration tables from page 6.96
- Online configuration: www.schroff.co.uk/configuration



assembly

Assembled by professionals. Double benefit!

Fitting of all mechanical, electrical and electronic components by our specialists

- Professional and reliable from quantity 1
- Ready for despatch within 5 working days



modification

Small changes. Large impact.

Custom drillings, cut-outs and special colours for off-the-shelf products

- Custom modifications from quantity 1
- Ready for despatch within 10 working days



solution

Simple. Fast. From one source.

Integration and custom developments

- Special sizes (depth and width)
- Individual heat dissipation concepts
- Ready for dispatch within 10 working days



express

When fast has to be faster.

Delivery time to customer's request

- Express logistics



academy

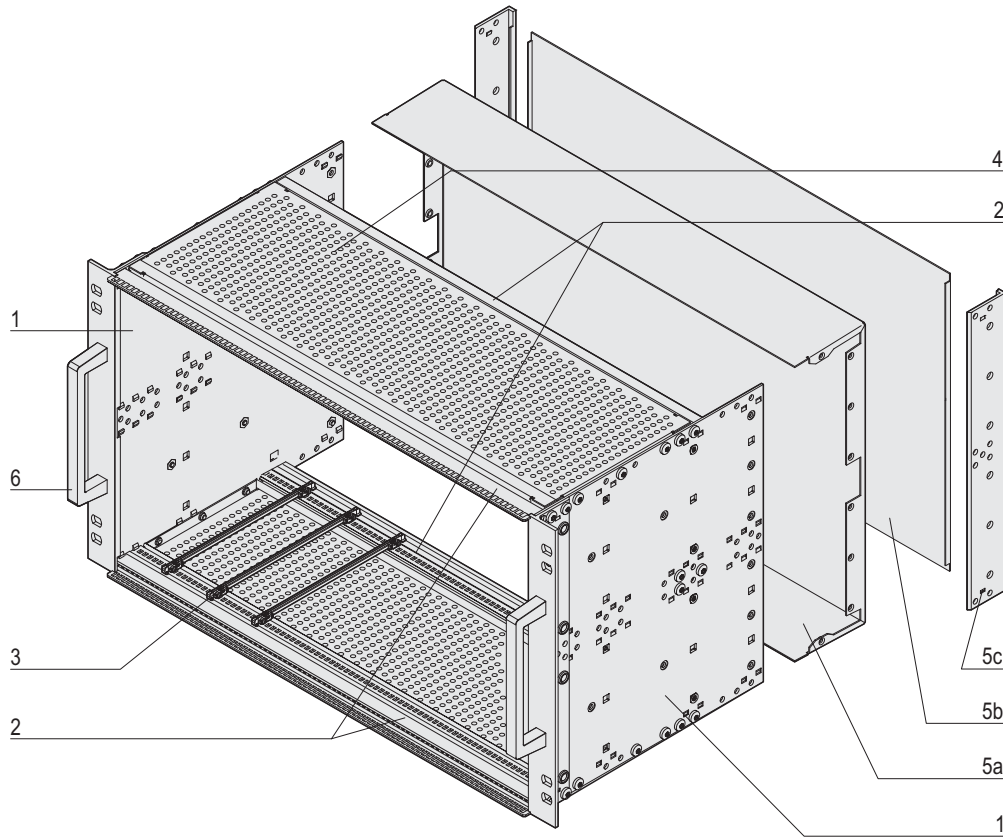
Knowledge. Sharing. Partnerships.

Knowledge transfer and partnership

- Seminars, CAD drawings, test reports, user reports

Subracks - *europac PRO* rugged ServicePLUS

Overview of individual components for shielded or unshielded subracks



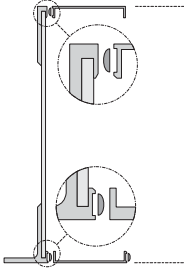
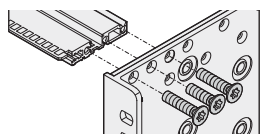
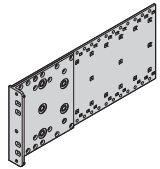
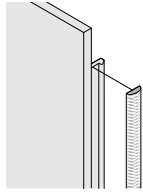
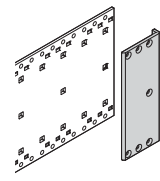
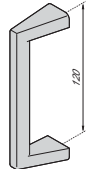
06108066

Item	Description	Description	page
Item 1	Side panels	Establish the height and depth of the subrack; Al, 3 mm, with universal hole positions for mounting of accessories	6.97
Item 2	Horizontal rails	Establish the width of the subrack; Al extrusion, with defined hole positions for guide rails, grooves for threaded inserts, M4 thread at front, functional rail shapes, basically differing with regard to their mechanical loading capacity: rugged loading up to 15 kg	6.98
Item 3	Guide rails	Guide rails act as interface between subracks and boards, for different board formats, are available in plastic or metal, optionally codable and optionally can be fitted with ESD clip to allow electrostatic discharge	6.105
Item 4	Cover plates	Provide mechanical protection and/or EMC shielding and are perforated	6.108
Item 5	Rear/front	Rear hood (5a) or front panel (5b) with corner profile (5c) as support for EMC shielding gaskets used in conjunction with shielded front panels; Note: rear hood and corner profile cannot be fitted simultaneously	6.49
Item 6	Handles	Handles can be mounted on the 19" brackets	6.97
–	EMC shielding (without illustration)	Extensive component range for specific shielding of subrack according to your application	6.110
–	Internal mounting (without illustration)	Universal assemblies, e.g. for horizontal and vertical mounting and for mounting plates	6.109 6.60

Subracks - *europac***PRO** rugged ServicePLUS

Side panel type R, EMC sealing, corner profile, front handle

Order Information

 		 Side panel, Al 3 mm, tox-cold welded with 19" Al bracket, 3.5 mm with handle hole, clear passivated, front anodised; please order front handles separately 06112059	 Textile gasket, core: foam, sleeve: textile cladding with CuNi coating, UL 94 V-0, temperature range -40 ... 70 °C 04602054	 Al extrusion, 3 mm, finish clear passivated; with lateral grooves for EMC stainless steel gasket; rear hood cannot be used simultaneously 06112058	 Die-cast Al profile, powder-coated, RAL 9006; load-carrying capacity 30 kg, fixing material kit 06112057
Height U	Depth mm	PU 1 pair	PU 10 pieces	PU 1 pair	PU 1 kit
3	175	24568-145	21101-853	24566-199	24566-010
3	235	24568-147			
3	275	24568-143			
3	277.75	24568-144			
3	295	24568-149			
3	355	24568-151	21101-855	24566-499	24566-010
6	175	24568-445			
6	235	24568-447			
6	275	24568-443			
6	277.75	24568-444			
6	295	24568-449	24568-451		
6	355	24568-451			

Fixing material kits see page 6.103

Side panel, type R

- For high mechanical demands up to 25 g (vibration resistance, shock and vibration requirements to e.g. IEC 61587-DL 3)
- 19" bracket is fixed firmly to side panel (tox-cold welded)
- Height 3 U and 6 U
- Depths 175, 235, 275, 277.75, 295 and 355 mm
- EMC shielding concept for front/rear with EMC textile gasket
- Other dimensions on request



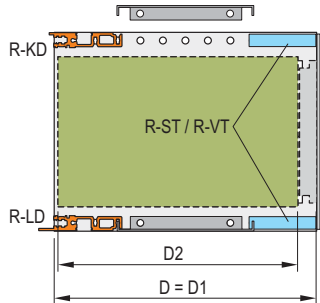
For further information www.schroff.biz/oneclick

oneClick search code = Part no.

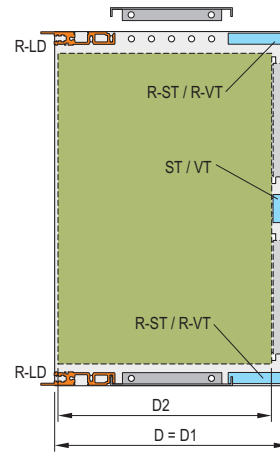
Subracks - *europac* **PRO** rugged ServicePLUS

Mounting position of horizontal rail/central rails

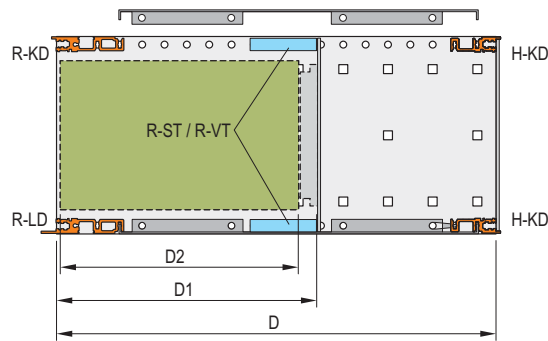
3 U (board depth 160, 220, 280 mm)



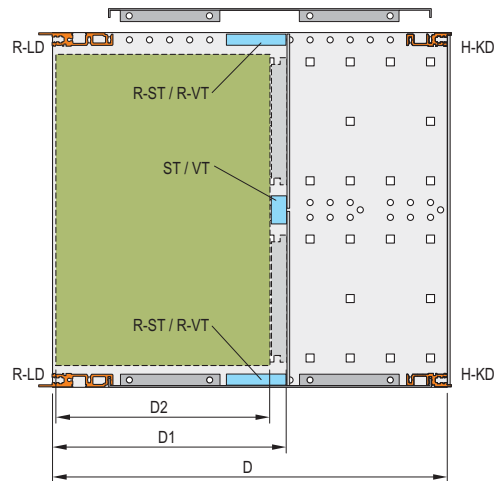
6 U (board depth 160, 220, 280 mm)



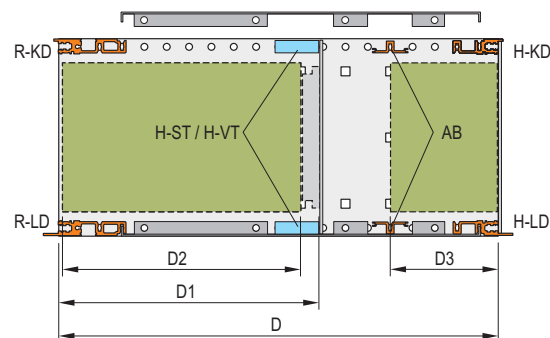
3 U (board depth 160, 220, 280 mm)



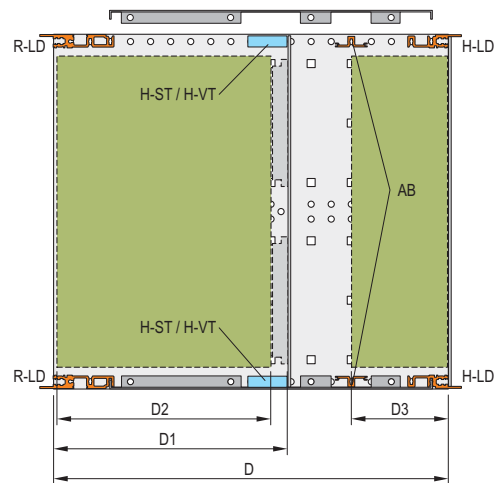
6 U (board depth 160, 220, 280 mm)



3 U (for CompactPCI/VME64x applications)



6 U (for CompactPCI/VME64x applications)



Horizontal rails

R-ST



06112070

R-VT



06112071

H-ST



06112072

H-VT



06112073

ST



06112074

VT

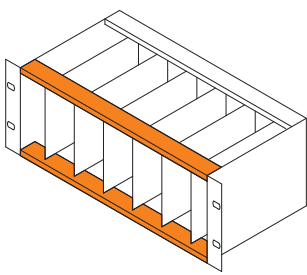




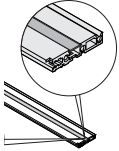


06112075

Subracks - *europac*PRO rugged ServicePLUS

Front horizontal rails

Order Information

 <small>bza44980</small> With HP markings from 28 HP, Al extrusion, anodised finish, conductive contact surface		With long lip for insertion/ extraction of CompactPCI and VME64x boards	With long lip for insertion/ extraction of CompactPCI and VME64x boards	With short lip	With short lip
		"rugged" Type R-LD long lip  <small>06112004</small> Al extrusion, anodised finish, conductive contact surface, with HP markings	"heavy" Type H-LD long lip  <small>06197008</small> Al extrusion, anodised finish, conductive contact surface, with HP markings	"rugged" Type R-KD short lip  <small>06112013</small> Al extrusion, anodised finish, conductive contact surface, with HP markings	"heavy" Type H-KD short lip  <small>06197008</small> Al extrusion, anodised finish, conductive contact surface, with HP markings
Usable length HP	Length mm	1 piece (SPQ 10) ¹⁾	1 piece (SPQ 10) ¹⁾	1 piece (SPQ 10) ¹⁾	1 piece (SPQ 10) ¹⁾
20	106.68	34566-320	34560-320	34566-220	34560-220
28	147.32	34566-328	34560-328	34566-228	34560-228
40	208.28	34566-340	34560-340	34566-240	34560-240
42	218.44	34566-342	34560-342	34566-242	34560-242
63	325.12	34566-363	34560-363	34566-263	34560-263
84	431.80	34566-384	34560-384	34566-284	34560-284
–	1000	34566-301	34560-301	34566-201	34560-201
Cover strips to cover the horizontal rail perforations Al, untreated, 0.8 mm, length 431.5 mm, 1 piece (SPQ 10) 		34566-184	–	34566-184	–
Threaded inserts see page		6.104	6.104	6.104	6.104
Fixing material kits see page		6.103	6.103	6.103	6.103

1) SPQ (standard pack quantity): Part number includes 1 piece, but delivery is exclusively made in standard pack quantity (SPQ); please order at least the SPQ quantity or a multiple
 "heavy" load > 7.5 kg; "rugged" load > 15 kg;

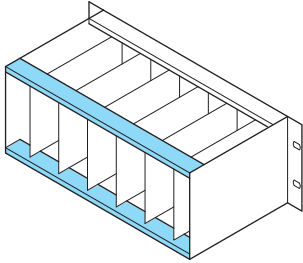








Note

- 1000 mm version without M4 thread to front, without printing and without notch for 19"-bracket
- EMC gasket see page 6.56
- For further horizontal rails see page 6.29

Subracks - *europac* **PRO** rugged ServicePLUS

Rear horizontal rails

Order Information

 <p>06105074</p> <p>With HP markings from 28 HP, Al extrusion, anodised finish, conductive contact surface</p>	<p>For indirect backplane fixing with insulation strip</p>  <p>04400001</p>		<p>For direct backplane fixing</p>  <p>04400002</p>		<p>For direct fixing of connectors in accordance with EN 60603-2 (DIN 41612)</p>  <p>04400003</p>	
	<p>"rugged" Type R-ST Standard</p>  <p>06112005</p> <p>Al extrusion, anodised finish, conductive contact surface, with HP markings</p>	<p>"heavy" Type H-ST standard</p>  <p>06197011</p> <p>Al extrusion, anodised finish, conductive contact surface, with HP markings</p>	<p>"rugged" Type R-VT recessed installation</p>  <p>06112006</p> <p>Al extrusion, anodised finish, conductive contact surface, with HP markings</p>	<p>"heavy" Type H-VT recessed installation</p>  <p>06197013</p> <p>Al extrusion, anodised finish, conductive contact surface, with HP markings</p>	<p>"heavy" Type H-MZ with Z-rail</p>  <p>06197015</p> <p>Al extrusion, anodised finish, conductive contact surface, with HP markings</p>	
<p>Usable length HP</p>	<p>Length mm</p>	<p>1 piece (SPQ 10)¹⁾</p>	<p>1 piece (SPQ 10)¹⁾</p>	<p>1 piece (SPQ 10)¹⁾</p>	<p>1 piece (SPQ 10)¹⁾</p>	<p>1 piece (SPQ 10)¹⁾</p>
20	106.68	34566-520	34560-520	34566-720	34560-720	34560-920
28	147.32	34566-528	34560-528	34566-728	34560-728	34560-928
40	208.28	34566-540	34560-540	34566-740	34560-740	34560-940
42	218.44	34566-542	34560-542	34566-742	34560-742	34560-942
63	325.12	34566-563	34560-563	34566-763	34560-763	34560-963
84	431.80	34566-584	34560-584	34566-784	34560-784	34560-984
–	1000	34566-501	34560-501	34566-701	34560-701	–
Insulation strips see page		6.104	6.104	–	–	–
Threaded inserts see page		6.104	6.104	6.104	6.104	6.104
Fixing material kits see page		6.103	6.103	6.103	6.103	6.103

1) SPQ (standard pack quantity): Part number includes 1 piece, but delivery is exclusively made in standard pack quantity (SPQ); please order at least the SPQ quantity or a multiple
 "heavy" load > 7.5 kg; "rugged" load > 15 kg;

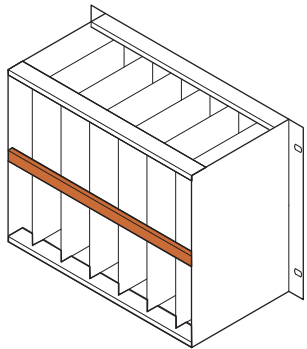






Note

- 1000 mm version without M4 thread to front, without printing and without notch for 19"-bracket
- EMC gasket see page 6.56
- For further horizontal rails see page 6.29

Subracks - *europacPRO* rugged ServicePLUS

Rear horizontal rails, centre, for 6 U

Order Information

 06108090		For indirect backplane fixing with insulation strip	For direct backplane fixing	For direct fixing of connectors in accordance with EN 60603-2 (DIN 41612)
		 04400001 Type ST  06197016 Al extrusion, finish anodised, conductive contact surface; without markings 1 piece (SPQ 10)¹⁾	 04400002 Type VT  06197017 Al extrusion, finish anodised, conductive contact surface; without markings 1 piece (SPQ 10)¹⁾	 04400003 Type MZ  06197018 Al extrusion, finish anodised, conductive contact surface; without markings 1 piece (SPQ 10)¹⁾
Usable length	Length			
HP	mm			
20	106.68	34561-020	34561-120	34561-220
28	147.32	34561-028	34561-128	34561-228
40	208.28	34561-040	34561-140	34561-240
42	218.44	34561-042	34561-142	34561-242
63	325.12	34561-063	34561-163	34561-263
84	431.80	34561-084	34561-184	34561-284
–	1000	34561-001	34561-101	34561-201
Insulation strips see page		6.104	–	–
Threaded inserts see page		6.104	6.104	6.104
Fixing material kits see page		6.103	6.103	6.103

1) SPQ (standard pack quantity): Part number includes 1 piece, but delivery is exclusively made in standard pack quantity (SPQ); please order at least the SPQ quantity or a multiple
"heavy" load > 7.5 kg; "rugged" load > 15 kg;

Note

- All horizontal rails without printed markings
- 1000 mm version without M4 thread to front

Subracks - *europac PRO* rugged ServicePLUS

Horizontal rails (type AB) for rear I/O applications

Order Information

06108069

For CompactPCI in rear I/O area

06108009

Type AB

06197019

Al extrusion, finish anodised, conductive contact surface;
horizontal rail type AB (AB = support) is required to fix
the guide rails for the 80 mm rear I/O boards;
without markings

Usable length HP	Length mm	1 piece (SPQ 10)¹⁾
20	106.68	34561-520
28	147.32	34561-528
40	208.28	34561-540
42	218.44	34561-542
63	325.12	34561-563
84	431.80	34561-584
–	1000	34561-501
Fixing material kits see page		6.103

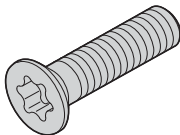
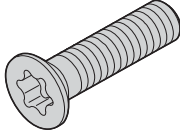
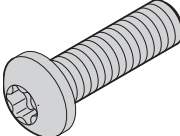
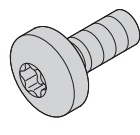
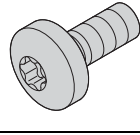
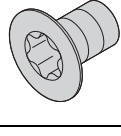
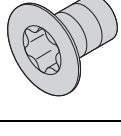
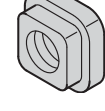
1) SPQ (standard pack quantity): Part number includes 1 piece, but delivery is exclusively made in standard pack quantity (SPQ); please order at least the SPQ quantity or a multiple
"heavy" load > 7.5 kg; "rugged" load > 15 kg;

Note

- All horizontal rails without printed markings
- 1000 mm version without M4 thread in end

Subracks - *europac*PRO rugged ServicePLUS

Screws overview

	Description	Material	Dimension	Qty/PU	Part no.
 <small>06712051</small>	Countersunk screw, with thread locking compound Application: Rugged side panel to horizontal rail; for area of tox-cold welded brackets and corner profiles except when guide rail is fitted to slot 1	Stainless steel	M4 x 18	100	24566-100
 <small>06712051</small>	Countersunk screw, with thread locking compound Application: Rugged side panel to horizontal rail; for area of tox-cold welded brackets and corner profiles if guide rail is fitted to slot 1	Stainless steel	M4 x 14	100	24566-101
 <small>az445940</small>	Panhead screw, with thread locking compound Application: Rugged side panel to horizontal rail; not for area of tox-cold welded brackets and corner profiles except when guide rail is fitted to slot 1	Stainless steel	M4 x 14	100	24566-102
 <small>06712053</small>	Panhead screw, with thread locking compound Application: Rugged side panel to horizontal rail; not for area of tox-cold welded brackets and corner profiles if guide rail is fitted to slot 1	Stainless steel	M4 x 10	100	24566-103
 <small>06712053</small>	Panhead screw, with thread locking compound Application: Rugged side panel to cover plate, not for area of tox-cold welded brackets and corner profiles	Stainless steel	M4 x 8	100	24566-104
 <small>06708053</small>	Torx countersunk screw, with thread locking compound Application: : Rugged side panel to cover plate, for area of tox-cold welded brackets and corner profiles	Stainless steel	M4 x 10	100	24566-106
 <small>06708053</small>	Torx countersunk screw, with thread locking compound Application: Rugged side panel to corner profile; in EMC-shielded subracks and to increase robustness	Stainless steel	M4 x 7	100	24566-105
 <small>AZA45921</small>	Square nut Application: Rugged side panel to corner profile; in EMC-shielded subracks and to increase robustness	Zinc-plated steel	M4	100	24560-140

Note

- Stainless steel screws; with organic surface layer (silver)



For further information www.schroff.biz/oneclick
oneClick search code = Part no.

Subracks - *europac*PRO rugged

Threaded inserts, perforated strips, insulation strips

Order Information

Usable length HP	Threaded insert			Perforated strip		Insulation strip	
	Length mm	1 piece (SPQ 10) ¹⁾	1 piece (SPQ 10) ¹⁾	Length mm	1 piece (SPQ 10) ¹⁾	Length mm	PU 10 pieces
20	106.18	34561-320	–	106.48	30845-189	101.50	24560-820
28	146.82	34561-328	–	147.12	30845-197	144.20	24560-828
40	207.78	34561-340	–	208.08	30845-209	205.12	24560-840
42	217.94	34561-342	–	218.24	30845-211	210.40	24560-842
63	324.62	34561-363	–	324.92	30845-232	316.88	24560-863
84	431.30	34561-384	34561-484	431.60	30845-253	428.64	24560-884
196	1000.26	34565-196	–	1000.26	34565-396	–	–

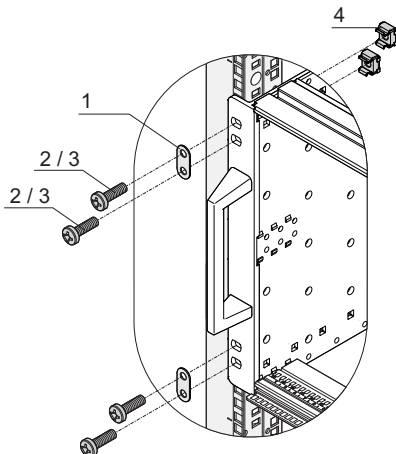
Accessories

Grub screw M2.5 x 8, PU 100 pieces	21100-276	–	–	–	–	–	–
Grub screw M2.5 x 9, PU 100 pieces	–	–	–	–	21101-359	–	–
Grub screw M3 x 8, PU 100 pieces	–	21100-646	–	–	–	–	–

1) SPQ (standard pack quantity): Part number includes 1 piece, but delivery is exclusively made in standard pack quantity (SPQ); please order at least the SPQ quantity or a multiple

Part no. includes one packing unit (PU); delivery is exclusively made in PU

19" dual fixing materials kit



- For fixing a subrack with dual fixing holes to 19" mounting brackets (e.g. rugged and railroad subracks)

Delivery comprises

Item	Qty	Description
1	4	Double washer, stainless steel
2	8	M6 x 16 (Torx 30 drive)
3	8	M6 x 16 (Pozidrive)
4	8	Cage nut KM6
1	4	User manual

Order Information


Description	Part no.
19" dual fixing materials kit	24566-109

06113052

Subracks - *europac***PRO** rugged

Adaptor to accommodate conduction cooled assemblies (CCA)

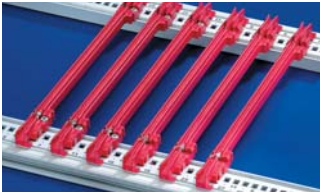
Order Information

	Adaptor to accommodate conduction cooled assemblies (CCA) in subracks	
	 <p style="font-size: small; text-align: center;">Al die-cast, silver, can be screw-fixed, 0.8" pitch; suitable for heavy and rugged horizontal rails, incl. fixing material kit</p>	
Board length	VPX	CompactPCI
mm	PU 1 pair	PU 1 pair
160	24566-004	24566-005

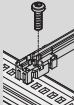
2) Part no. includes one packing unit (PU); delivery is exclusively made in PU

Guide rails for plug-in units and frame type plug-in units, one-piece,
groove width 2 mm and 2.5 mm

Order Information

			For plug-in units and frame type plug-in units "Standard"	
Assembly Plastic guide rail - can be clipped into Al extruded horizontal rails - can be clipped into 1.5 mm thick plates Storage temperature from -40 °C ... 130 °C				
Board length	Groove width	Colour	up to 220 mm length, PBT, UL 94 V-0; from 280 mm length, multi-piece, end piece PBT, UL 94 V-0, central section Al extrusion PU 10 pieces²⁾	PBT, UL 94 V-0 1 piece (SPQ 50)¹⁾
mm	mm	mm		
70	2	red	-	34579-230
70	2	grey	-	34579-231
160	2	red	24560-351	64560-001
220	2	red	24560-353	64560-002
280	2	red	24560-379	-
340	2	red	24560-380	-
160	2.5	red	-	64560-096
220	2.5	red	-	64560-098

Accessories

Retention screw, PU 100 pieces; Torque max. 0.2 Nm		24560-141	24560-141
ESD clip, PU 50 pieces		24560-255	24560-255

1) SPQ (standard pack quantity): Part number includes 1 piece, but delivery is exclusively made in standard pack quantity (SPQ); please order at least the SPQ quantity or a multiple

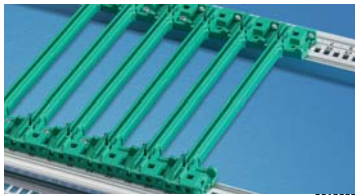
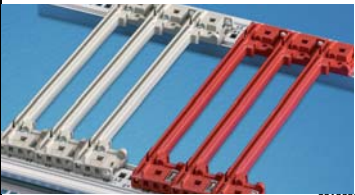
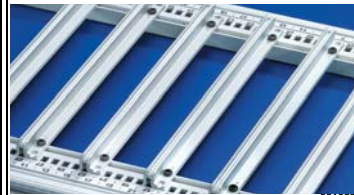
2) Part no. includes one packing unit (PU); delivery is exclusively made in PU

Description of accessories see from page 6.107

Subracks - *europac* **PRO** rugged ServicePLUS

Guide rails for heavy assemblies, CompactPCI, VME64x

Order Information

Assembly			For CompactPCI, VME64x with coding	Offset 0.1" for power supply units in accordance with IEEE 1101.10 and IEC 60297-3-103	For heavy modules, Al extrusion, silver, robust version
Plastic guide rails - can be clipped into Al extruded horizontal rails - can be clipped into 1.5 mm thick plates			In accordance with IEEE 1101.10 and IEC 60297-3-103		
Storage temperature from -40 °C ... 130 °C					
			One-piece for groove width 2 mm, PBT, UL 94 V-0; multi-piece for groove width 2.5 mm, end piece PBT, UL 94 V-0, middle section Al extrusion	PBT, UL 94 V-0, for installation of power supplies in CompactPCI systems or plug-in units with SMD placement	Al extrusion; is screwed to horizontal rail "heavy" with retention screws
Board length mm	Groove width mm	Colour	PU 10 pieces ²⁾	PU 10 pieces ²⁾	1 piece (SPQ 10) ¹⁾
70	2	red	24560-355	–	–
70	2	grey	24560-360	–	–
160	2	red	24560-356	–	–
160	2	grey	24560-358	–	34562-881
160	2	green	–	24560-359	–
220	2	grey	–	–	34562-882
220	2	green	–	–	34562-883
160	2.5	grey	–	–	34564-881
220	2.5	red	24561-330	–	–
220	2.5	grey	24561-340	–	34564-882
280	2.5	red	24561-331	–	–
280	2.5	grey	24561-341	–	34564-883

Accessories

ESD clips, PU 50 pieces	24560-255	–	–
ESD clips, for alignment pin, PU 50 pieces	24560-256	24560-256	–
Retention screw, PU 100 pcs.; torque max. 0.2 Nm	24560-141	24560-141	24560-157
Coding peg, PU 100 pieces	20817-501	20817-501	–

1) SPQ (standard pack quantity): Order number includes 1 piece, but delivery is exclusively made in standard pack quantity (SPQ); please order at least the SPQ quantity or a multiple thereof

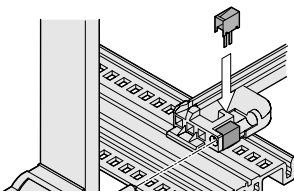
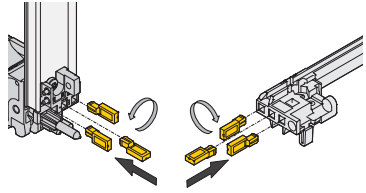
2) Order number includes one packaging unit (PU); delivery is exclusively made in PU

Description of accessories see from page 6.107

Subracks - *europac***PRO** rugged ServicePLUS

Guide rail accessories

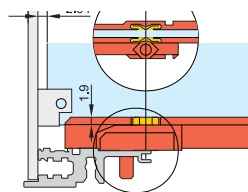
Order Information

	<p>ESD clips, CompactPCI/VME 64 alignment pin for guide rails</p>  <p>06103052</p> <p>Spring steel, tin-plated, ESD clip, for alignment pin in accordance with IEEE; can be plugged into the guide rails with coding and into the keying/coding block; provides conductive contact between the guide pin of the inserter/ extractor handle (IEL or IET handle) and the horizontal rail</p>	<p>Coding for plug-in components</p> <p>Keying/coding for CompactPCI, VME64x handles to IEEE 1011.10 and IEC 60297-3-103</p>  <p>04612052</p> <p>Keying/coding peg, PBTP, UL 94 V-0, RAL 7035: The keying/coding pegs prevent plug-in units to be mounted in wrong slots. They are inserted in the chambers of the codable card guides as well as in the insertion/extraction handles IEL or IET (4 possible positions), resulting in 64 codings per card guide; when coding the upper and lower card guide, 4096 codings will result;</p>
Assembly	PU 50 pieces ²⁾	PU 100 pieces ²⁾
At the top/ at the bottom	24560-256	20817-501

2) Part no. includes one packing unit (PU); delivery is exclusively made in PU

Guide rail accessories

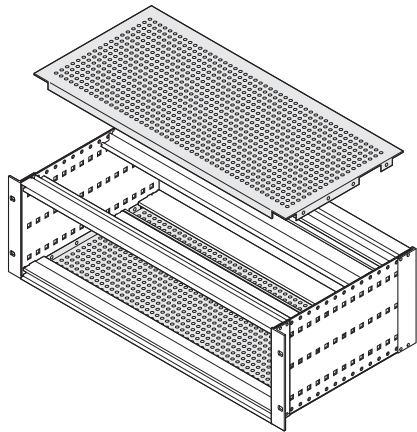
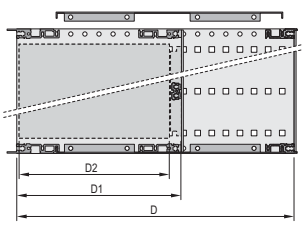
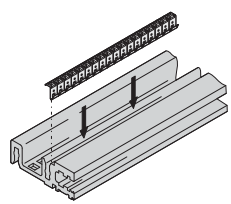
Order Information

	<p>ESD clip for guide rails</p>  <p>04503050</p> <p>Spring steel, tin-plated, ensures conductive contact between board and horizontal rail, on both the solder side and the component side</p>
Colour	silver
Assembly	PU 50 pieces
above/below	24560-255


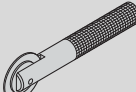
Subracks - *europac PRO* rugged ServicePLUS

Cover plates for bolting to rugged side panel

Order Information

 <p style="text-align: right;">06197010</p>			<p style="text-align: center;">Cover plate for bolting to side panel</p>  <p style="text-align: right;">06112054</p> <p>Perforated Al plate, 1.2 mm, hole diameter 4.0 mm, passivated, perforation ratio 58 %, incl. retention screws;</p> <p>4 stainless steel EMC contact strips per subrack are required for shielding, please order separately</p>		<p style="text-align: center;">Stainless steel EMC gasket, between cover plate and horizontal rail</p>  <p style="text-align: right;">06106052</p> <p>Stainless steel EMC gasket, clips into the horizontal rail and forms the contact with the cover plate; suitable for all horizontal rails</p>	
Width HP	Depth D mm	Application	PU 1 pair	PU 10 pieces	PU 100 pieces	
84	175	160 mm board depth (D2)	24568-004	24560-245	24560-246	
84	235	220 mm board depth (D2)	24568-008			
84	295	280 mm board depth (D2)	24568-012			
84	275	160 mm board depth (D2) CompactPCI, 80 mm rear I/O	24568-032			
84	277.75	160 mm board depth (D2) CompactPCI, 80 mm rear I/O	24568-036			
84	295	160 mm board depth (D2), approx. 120 mm clearance behind backplane	24568-016			
84	355	220 mm board depth (D2), approx. 120 mm clearance behind backplane	24568-020			

Accessories

Cover plate latch, additional securing for rugged cover plate, PU 4 pieces 	24566-007	-	-
Assembly tool, to fit EMC gasket, stainless steel, for horizontal rails, 1 piece 	-	24560-271	24560-271

Note

- Cover plates without perforation available on request
- Mounting position of horizontal rails, see page 6.98

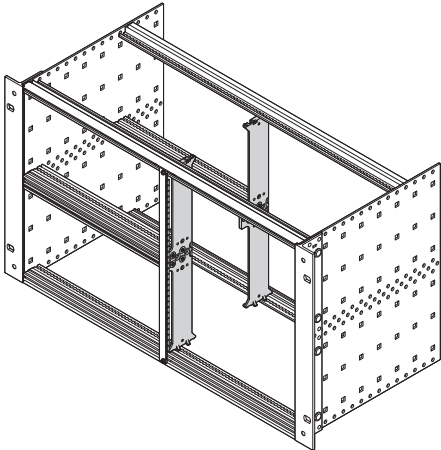
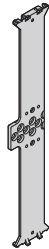
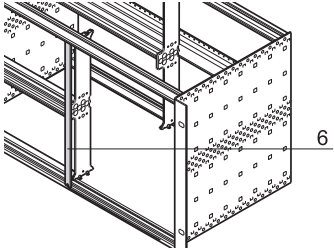


For further information www.schroff.biz/oneclick
oneClick search code = Part no.

Subracks - *europacPRO* rugged ServicePLUS

Combined mounting (6 U and 2 x 3 U one above the other)

Order Information

 <p>06112076</p> <p>Height U</p>	<p>Rugged struts for combined mounting</p>  <p>06112077</p> <p>6 U, die-cast zinc; fixing material kit</p> <p>PU 2 pieces</p>	<p>Front panel for textile EMC gasket, 6 U, 2 HP Item 6</p>  <p>bpa46550</p> <p>Al, 2.5 mm, U-profile with notch, 6 U, 2 HP</p> <p>1 piece (SPQ 5)¹⁾</p>
6	24566-400	30849-140

Accessories

Pozidrive/slotted collar screw M2.5 x 12.3, St, nickel-plated, PU 100 pieces	-	21101-101
Pozidrive/slotted collar screw M2.5, black, zinc-plated, PU 100 pieces	-	21101-102
Washer 2.7 x 5 x 1, PA 6, PU 100 pieces	-	21101-121
Textile gasket, core: foam, sleeve: textile cladding with CuNi coating, UL 94 V-0, PU 10 pieces	-	21101-855

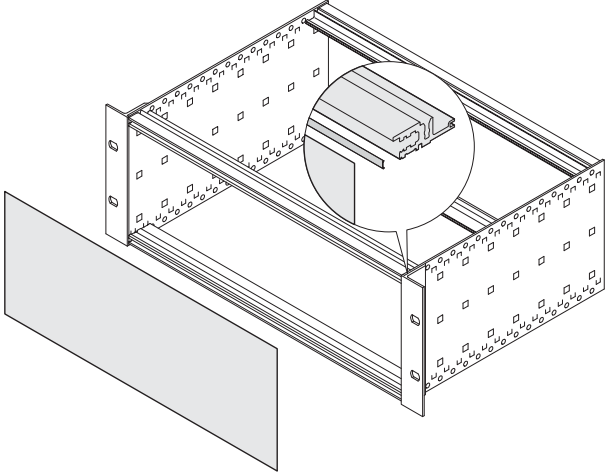
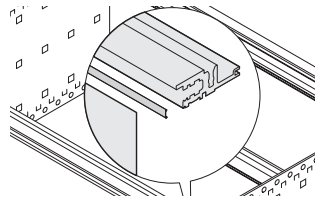
Note

- Rugged horizontal rails in various lengths, see page 6.99

Subracks - *europac* **PRO** rugged ServicePLUS

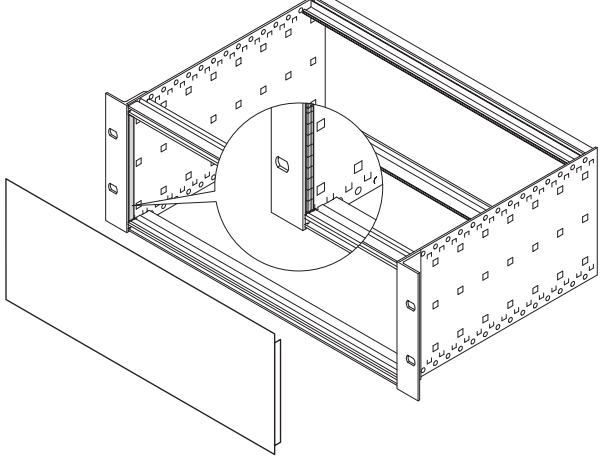
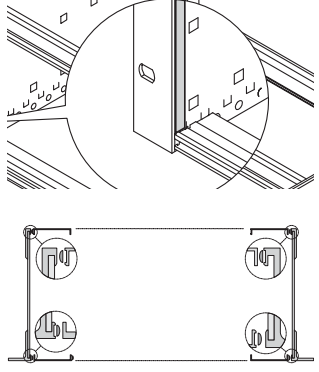
EMC gaskets between front/rear panel and horizontal rail

Order Information

 <p style="text-align: right;">06102053</p>		Stainless steel EMC gasket between front panel/rear panel and horizontal rail	
		 <p>stainless steel; for front and rear horizontal rails (type VT)</p> <p style="text-align: right;">06102053</p>	
Width HP	Depth mm	PU 10 pieces	PU 100 pieces
28	131.8	24560-229	–
42	202.9	24560-231	–
63	304.5	24560-233	–
84	416.6	24560-235	24560-236

EMC gaskets between front panel and 19" bracket/corner profile

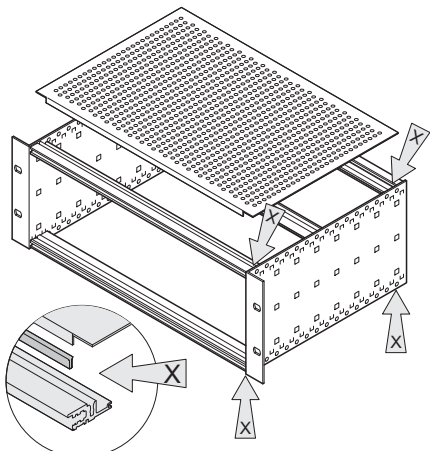
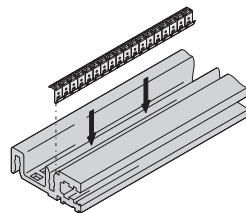
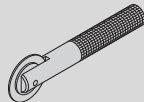
Order Information

 <p style="text-align: right;">06105077</p>		Textile EMC gasket between front panel/rear panel and 19" bracket/corner profile	
		 <p>textile gasket, core: foam, sleeve: textile cladding with CuNi coating, UL 94 V-0C</p> <p style="text-align: right;">06102056</p> <p style="text-align: right;">06108054</p>	
Height U	Depth mm	PU 10 pieces	PU 100 pieces
3	97.5	21101-853	21101-854
6	232.5	21101-855	21101-856

Subracks - *europacPRO* rugged ServicePLUS

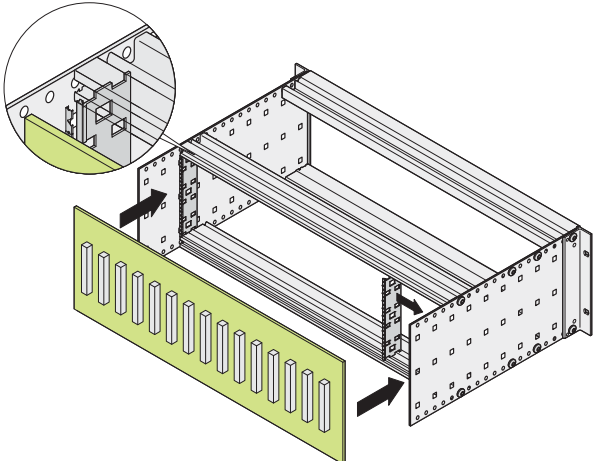
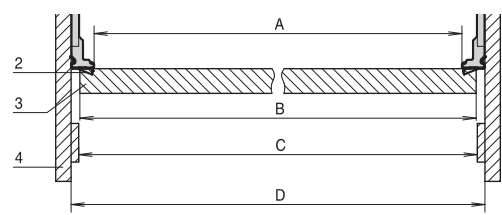
EMC gasket between horizontal rail and cover plate

Order Information

		Stainless steel EMC gasket, between cover plate and horizontal rail	
		stainless steel EMC gasket, clips into the horizontal rail and forms the contact with the cover plate; suitable for all horizontal rails	
Width HP 42 84		Depth mm 202.9 416.6	
Assembly tool, to fit EMC gasket, stainless steel, for horizontal rails, 1 piece			
		PU 10 pieces 24560-241 24560-245 24560-271	PU 100 pieces – 24560-246 24560-271

EMC gasket between backplane and side panel

Order Information

		Stainless steel EMC gasket between backplane and side panel (depth-offset installation)	
		2 x support profile, Al extrusion, 2 x stainless steel EMC gasket; for vertical EMC shielding between depth-offset shielded backplane and side panel: dimensions for 84 HP A = 425.8 mm, B < 429.9 mm, C = 429.8 mm, D = 431.8 mm	
Height U 3 6		Depth mm 97.5 187.5	
Torx countersunk screw M4 x 7, St, zinc-plated, PU 100 pieces Square nut M4, St, zinc-plated, PU 100 piece		PU 1 kit 24561-199 24561-499 24566-105 24560-140	

With appropriate design, the backplane can be used as shielded rear wall of the rack; in this case a rear horizontal rail (L-type VT or H-VT) must be used for deeper installation to ensure the horizontal contact.

Für den vertikalen Kontakt kann die Trägerleiste standardmäßig an der europacPRO-Seitenwand befestigt werden (Tiefenraster 30 mm)