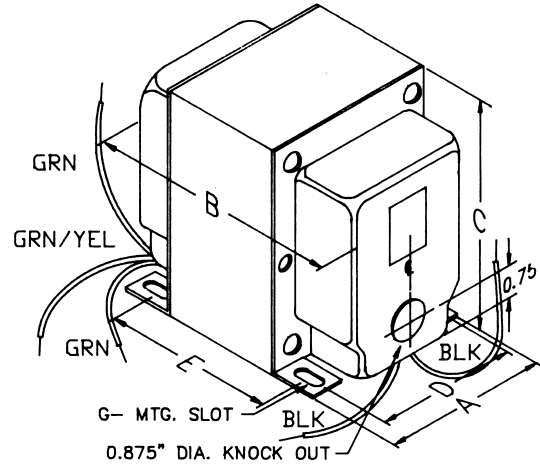


# Plate & Filament (Universal Primary)

Power



## "CLASSIC" ENCLOSED PLATE & FILAMENT

- Universal Primary, 100, 110, 120, 200, 220, 240 VAC, 50/60 Hz.
- H.V. DC current measured with full wave C.T. rectifier and capacitor input filter.
- Concentric wound windings for low stray field and low noise.
- Includes bias tap (50 VAC) from high voltage C.T.
- Enclosed, 4 hole chassis mount.
- Minimum 6" long leads.
- Class A insulation (105 degrees C).
- Hi-Pot test of 2,000V RMS.
- Conservative designs - CSA certified (# LR3902).
- P/N 300BX designed for use with 300B tube designs and the 302AX designed for 2A3 tube designs

## Dimension Table

| Mtg. Style | Dimensions |      |      |      |      | G-Mtg. Slot |
|------------|------------|------|------|------|------|-------------|
|            | A          | B    | C    | D    | E    |             |
| X6         | 2.50       | 2.75 | 3.06 | 2.00 | 1.69 | .203 X .38  |
| X7         | 2.50       | 3.00 | 3.06 | 2.00 | 1.94 | .203 X .38  |
| X10        | 3.13       | 3.50 | 3.81 | 2.50 | 2.19 | .203 X .38  |
| X11        | 3.13       | 3.75 | 3.81 | 2.50 | 2.44 | .203 X .38  |
| X13        | 3.75       | 4.00 | 4.56 | 3.00 | 2.81 | .203 X .38  |
| X14        | 3.75       | 4.50 | 4.56 | 3.00 | 3.34 | .203 X .38  |
| X15        | 3.75       | 5.00 | 4.56 | 3.00 | 3.81 | .203 X .38  |
| X20        | 3.13       | 4.25 | 3.81 | 2.50 | 2.94 | .203 X .38  |
| X21        | 4.38       | 6.00 | 5.50 | 3.50 | 3.54 | .203 X .38  |
| X22        | 3.75       | 3.06 | 4.56 | 3.00 | 3.06 | .203 X .38  |

## Transformer Schematic

| Cat. No. | Total Power (VA) | Secondary |            | Bias Tap (VAC) | Filament #1 (VAC) | Filament #2 (VAC) | Filament #3 (VAC) | Dim. Ref. |
|----------|------------------|-----------|------------|----------------|-------------------|-------------------|-------------------|-----------|
|          |                  | (R.M.S.)  | D.C. (ma.) |                |                   |                   |                   |           |
| 300BX    | 280              | 400-0-400 | 250        | 50             | 5V ct @ 1.2A      | 5V ct @ 3A        | 6.3V ct @ 6A      | X15       |
| 302AX    | 198              | 300-0-300 | 200        | 50             | 2.5V CT @ 2.5A    | 5V ct @ 3A        | 6.3V ct @ 6A      | X13       |
| 363CX    | 119              | 180-0-180 | 250        | 50             | 5V ct @ 3A        | -                 | -                 | X11       |
| 369AX    | 40               | 125-0-125 | 100        | 50             | 6.3V ct @ 2A      | -                 | -                 | X6        |
| 369BX    | 39               | 150-0-150 | 75         | 50             | 6.3V ct @ 2A      | -                 | -                 | X6        |
| 369EX    | 45               | 190-0-190 | 65         | 50             | 6.3V ct @ 2.5A    | -                 | -                 | X6        |
| 369GX    | 50               | 225-0-225 | 65         | 50             | 6.3V ct @ 2.5A    | -                 | -                 | X6        |
| 369JX    | 50               | 250-0-250 | 60         | 50             | 6.3V ct @ 2.5A    | -                 | -                 | X6        |
| 370AX    | 44               | 240-0-240 | 50         | 50             | 6.3V ct @ 2.5A    | -                 | -                 | X6        |
| 370BX    | 55               | 275-0-275 | 50         | 50             | 5V ct @ 2A        | 6.3V ct @ 2A      | -                 | X7        |
| 370FX    | 142              | 275-0-275 | 150        | 50             | 5V ct @ 3A        | 6.3V ct @ 5A      | -                 | X20       |
| 370HX    | 180              | 275-0-275 | 200        | 50             | 5V ct @ 3A        | 6.3V ct @ 6A      | -                 | X20       |
| 372BX    | 98               | 300-0-300 | 100        | 50             | 5V ct @ 2A        | 6.3V ct @ 3A      | -                 | X10       |
| 372FX    | 150              | 300-0-300 | 150        | 50             | 5V ct @ 3A        | 6.3V ct @ 5A      | -                 | X20       |
| 372JX    | 243              | 300-0-300 | 250        | 50             | 5V ct @ 4A        | 6.3V ct @ 8A      | -                 | X14       |
| 373BX    | 187              | 350-0-350 | 175        | 50             | 5V ct @ 3A        | 6.3V ct @ 5A      | -                 | X13       |
| 373X     | 125              | 350-0-350 | 110        | 50             | 5V ct @ 2A        | 6.3V ct @ 4A      | -                 | X11       |
| 374BX    | 200              | 375-0-375 | 175        | 50             | 5V ct @ 3A        | 6.3V ct @ 6A      | -                 | X13       |
| 378CX    | 465              | 400-0-400 | 465        | 50             | 6.3V ct @ 6A      | -                 | -                 | X21       |
| 378X     | 237              | 400-0-400 | 200        | 50             | 5V ct @ 3A        | 6.3V ct @ 6A      | -                 | X22       |

