

Fig. A

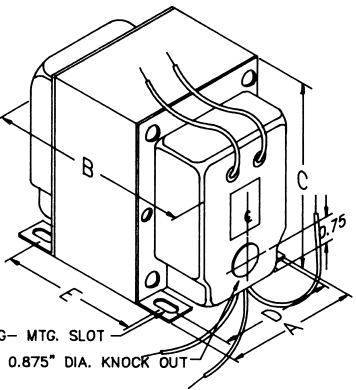


Fig. B



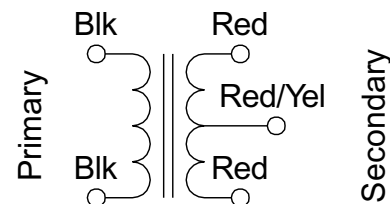
**"CLASSIC" ENCLOSED  
PLATE TRANSFORMERS**

- Primary 115 VAC, 50/60 Hz.
- At 1,000 VAC and above, secondary leads are through rubber bushings (figure B).
- Units can be run full wave bridge or full wave C.T.
- Enclosed, 4 hole chassis mount.
- Minimum 6" long leads.
- Class A insulation (105 degrees C).
- Hi-Pot test at a minimum of twice secondary voltage
- Conservative designs - CSA certified (# LR3902).

Cat. No.	Secondary R.M.S.	DC Volts Choke Input	DC ma. CCS	DC ma. ICAS	Dwg. Type	Dimensions					Wt. Lb.
						A	B	C	D	E	
710	375-0-375	300	300	450	A	3.75	4.13	4.50	3.00	2.25	7.2
712	425-0-425	350	300	450	A	3.75	4.63	4.50	3.00	2.75	8.8
714	510-0-510	400	170	250	A	3.13	3.75	3.75	2.50	2.38	5.5
715	510-0-510	400	300	450	A	3.75	4.63	4.50	3.00	2.75	9
717	510-0-510	400	500	750	A	5.00	5.25	6.50	4.56	3.25	17.7
718	625-0-625	500	200	300	A	3.75	4.38	4.50	3.00	2.50	8
720	625-0-625	500	300	450	A	3.75	5.38	4.50	3.00	3.50	12
722	625-0-625	500	500	750	A	5.00	5.25	6.50	4.56	3.25	17.7
724	750-0-750	625	200	300	A	3.75	5.25	4.50	3.00	3.38	12
726	890-0-890	750	175	260	A	3.75	5.25	4.50	3.00	3.38	12
728	1000-0-1000	850	150	225	B	3.75	5.25	4.50	3.00	3.38	12
732	1250-0-1250	1000	200	300	B	5.00	5.25	6.50	4.56	3.25	17.7
733	1250-0-1250	1000	300	450	B	5.00	6.00	6.50	4.56	4.00	24
735	1500-0-1500	1250	250	375	B	5.00	6.00	6.50	4.56	4.00	24
737	1500-0-1500	1250	400	600	B	5.00	7.00	6.50	4.56	5.00	28.5
739	1750-0-1750	1500	400	600	B	5.00	7.63	6.50	4.56	5.50	34.7

Notes : CCS = Continuous Commercial Service  
ICAS = Intermittent Commercial or Amateur Service

**Transformer Schematic**



CANADA

Phone: (519) 822-2960 Fax: (519) 822-0715

USA

Phone: (716) 651-0086 Fax: (716) 651-0726