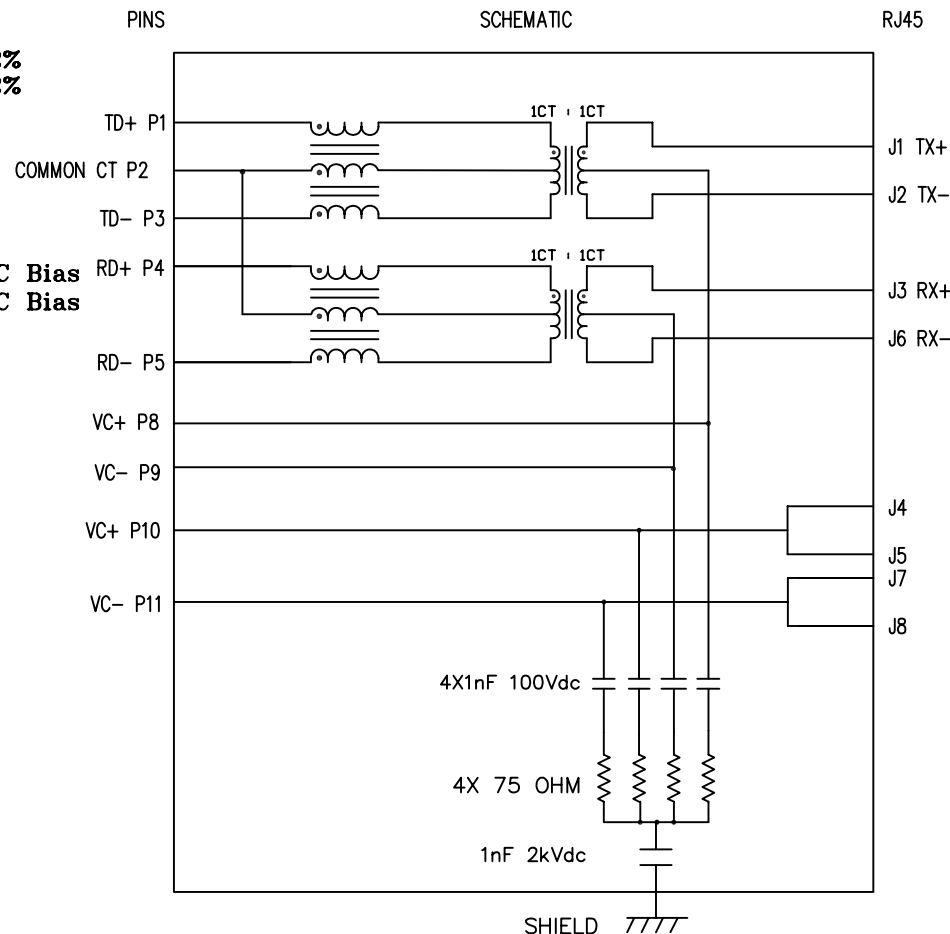


THE INFORMATION CONTAINED HEREIN IS CONSIDERED "PROPRIETARY" TO BEL FUSE INC. AND SHALL NOT BE COPIED, REPRODUCED OR DISCLOSED WITHOUT THE WRITTEN APPROVAL OF BEL FUSE INC.



ELECTRICAL CHARACTERISTICS @ 25°C

- 1.0 TURNS RATIO: (P1-P3) : (J1-J2) : 1CT : 1CT ± 2%
(P4-P5) : (J3-J6) : 1CT : 1CT ± 2%
- 2.0 DC RESISTANCE: (P1-P3); (P4-P5) : 1.2 OHMS
(J1-J2); (J3-J6) : 0.8 OHMS
- 3.0 INDUCTANCE: (P1-P3) : 350uH MIN. @ 0.1V, 100KHz, 12mA DC Bias
(P4-P5) : 350uH MIN. @ 0.1V, 100KHz, 12mA DC Bias
- 4.0 RETURN LOSS: (P1-P3)=100 OHMS REF. AND (P4-P5)=100 OHM REF.
1MHz TO 30MHz : 16dB MIN.
60MHz TO 80MHz : 10dB MIN.
- 5.0 INSERTION LOSS: RS & RL =100 ohms
1MHz TO 100MHz : 1.5 dB MAX
- 6.0 CROSS TALK: 1MHz - 100 MHz : 30 dB MIN.
- 7.0 DIELECTRIC WITHSTAND: (P1-P3) TO (J1-J2) : 2000 Vrms
(P4-P5) TO (J3-J6) : 2000 Vrms
- 8.0 BALANCED DC LINE CURRENT: USED PAIRS : 700mA MAX
UNUSED PAIRS : 700mA MAX
- 9.0 OPERATING TEMPERATURE: : -40 to 85° C



ORIGINATED BY	DATE	TITLE
Zeng Xiao Chun	02-14-2011	 10/100BT, PoEP TAB UP, SHIELDED PATENTED
DRAWN BY	DATE	
Zhang Ru Sheng	02-14-2011	

PART NO. / DRAWING NO.	STANDARD DIM.	[] METRIC DIM. AS REFERENCE
SI-52007-F	TOL. IN INCH	UNIT : INCH [mm] REV. : 02
FILE NAME	.X	SCALE : N/A SIZE : A4
SI-52007-F.DWG	.XX	⊕
	.XXX	±0.005

COMPONENTS FOR A CONNECTED PLANET
PAGE : 2

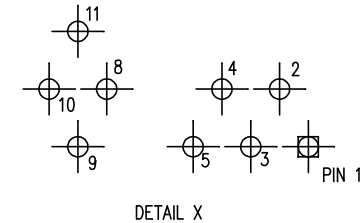
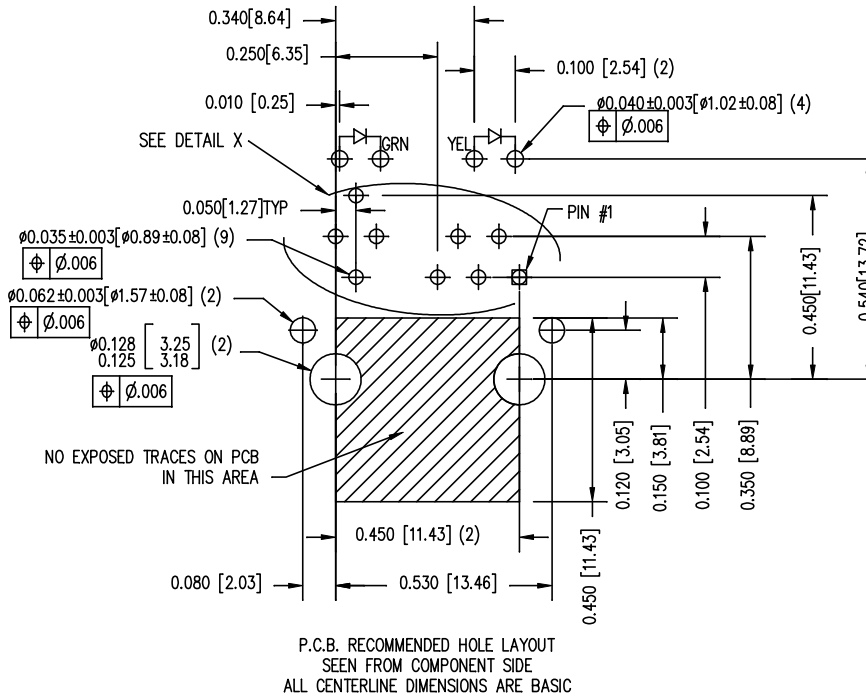
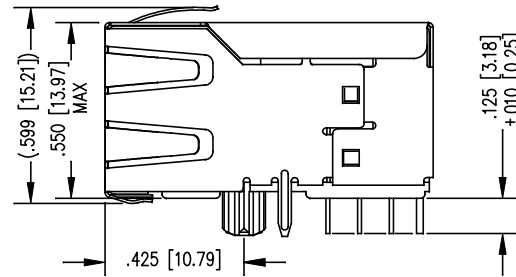
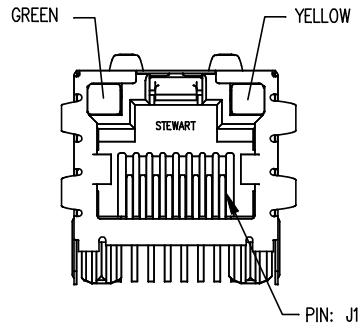
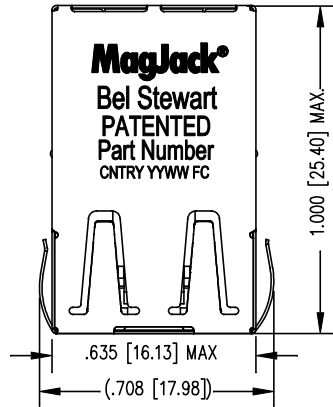
THE INFORMATION CONTAINED HEREIN IS CONSIDERED "PROPRIETARY" TO BEL FUSE INC. AND SHALL NOT BE COPIED, REPRODUCED OR DISCLOSED WITHOUT THE WRITTEN APPROVAL OF BEL FUSE INC.

RoHS
2002/95/EC



STANDARD LED	WAVELENGTH	Forward V (MAX)	* (TYP)
YELLOW	590 nm	2.5 V	2.1 V
GREEN	565 nm	2.5 V	2.2 V

* WITH A FORWARD CURRENT OF 20 mA (TYP)



NOTES:

- CONNECTOR MATERIALS:
HOUSING: THERMOPLASTIC UL94 V-0
CONTACT/SHIELD: COPPER ALLOY
SHIELD PLATING: NICKEL OR TIN
CONTACT PLATING: SELECTIVE GOLD,
50 MICRO-INCHES MIN. IN CONTACT AREA.
- PIN NOT ELECTRICALLY CONNECTED MAYBE OMITTED.
SEE ELECTRICAL DRAWING FOR OMITTED PINS.
- TOLERANCES COMPLY WITH F.C.C. DIMENSION REQUIREMENTS.
- ALL TOLERANCES NOT OTHERWISE SPECIFIED TO BE ±.005 [0.13]
- REFLOW AND WAVE SOLDER COMPATIBLE -260°C FOR 10 SECONDS MAX.

ORIGINATED BY	DATE
Zeng Xiao Chun	02-14-2011
DRAWN BY	DATE
Zhang Ru Sheng	02-14-2011

TITLE	MagJack® 10/100BT, PoEP TAB UP, SHIELDED PATENTED
-------	---

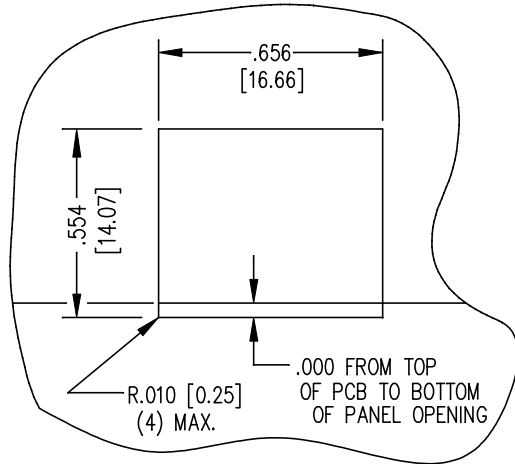
PART NO. / DRAWING NO.	SI-52007-F
FILE NAME	SI-52007-F.DWG

STANDARD DIM.	[] METRIC DIM. AS REFERENCE
TOL. IN INCH	UNIT : INCH [mm]
.X	REV. : 02
.XX	SCALE : N/A
.XXX	±0.005
	SIZE : A4
	PAGE : 3

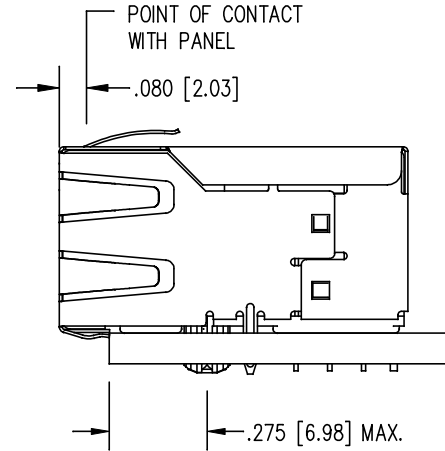


THE INFORMATION CONTAINED HEREIN IS CONSIDERED "PROPRIETARY" TO BEL FUSE INC. AND SHALL NOT BE COPIED, REPRODUCED OR DISCLOSED WITHOUT THE WRITTEN APPROVAL OF BEL FUSE INC.

RoHS
2002/95/EC



SUGGESTED PANEL OPENING



1. THE SUGGESTED PANEL OPENING IS INTENDED TO GIVE THE USER THE ABILITY TO HAVE REASONABLE JACK / PANEL CLEARANCES YET MAINTAIN RELIABLE GROUNDING CAPABILITY.
2. ALL TOLERANCES NOT OTHERWISE SPECIFIED TO BE ± 0.005 [0.13]

ORIGINATED BY	DATE	TITLE	PART NO. / DRAWING NO.	STANDARD DIM.	[] METRIC DIM. AS REFERENCE	
Zeng Xiao Chun	02-14-2011	MagJack® 10/100BT, PoEP TAB UP, SHIELDED PATENTED	SI-52007-F	TOL. IN INCH	UNIT : INCH [mm]	REV. : 02
DRAWN BY	DATE		FILE NAME	.X	SCALE : N/A	SIZE : A4
Zhang Ru Sheng	02-14-2011		SI-52007-F.DWG	.XX		PAGE : 4
			.XXX	±0.005		

