

PROLINE™ SLOPED-FRONT HMI, TYPE 4, 4X, 12**INDUSTRY STANDARDS****Painted versions:**

UL 508A Listed; Type 12: File No. E61997
cUL Listed per CSA C22.2 No. 94; Type 12: File No. E61997

NEMA/EEMAC Type 12
IEC 60529, IP55

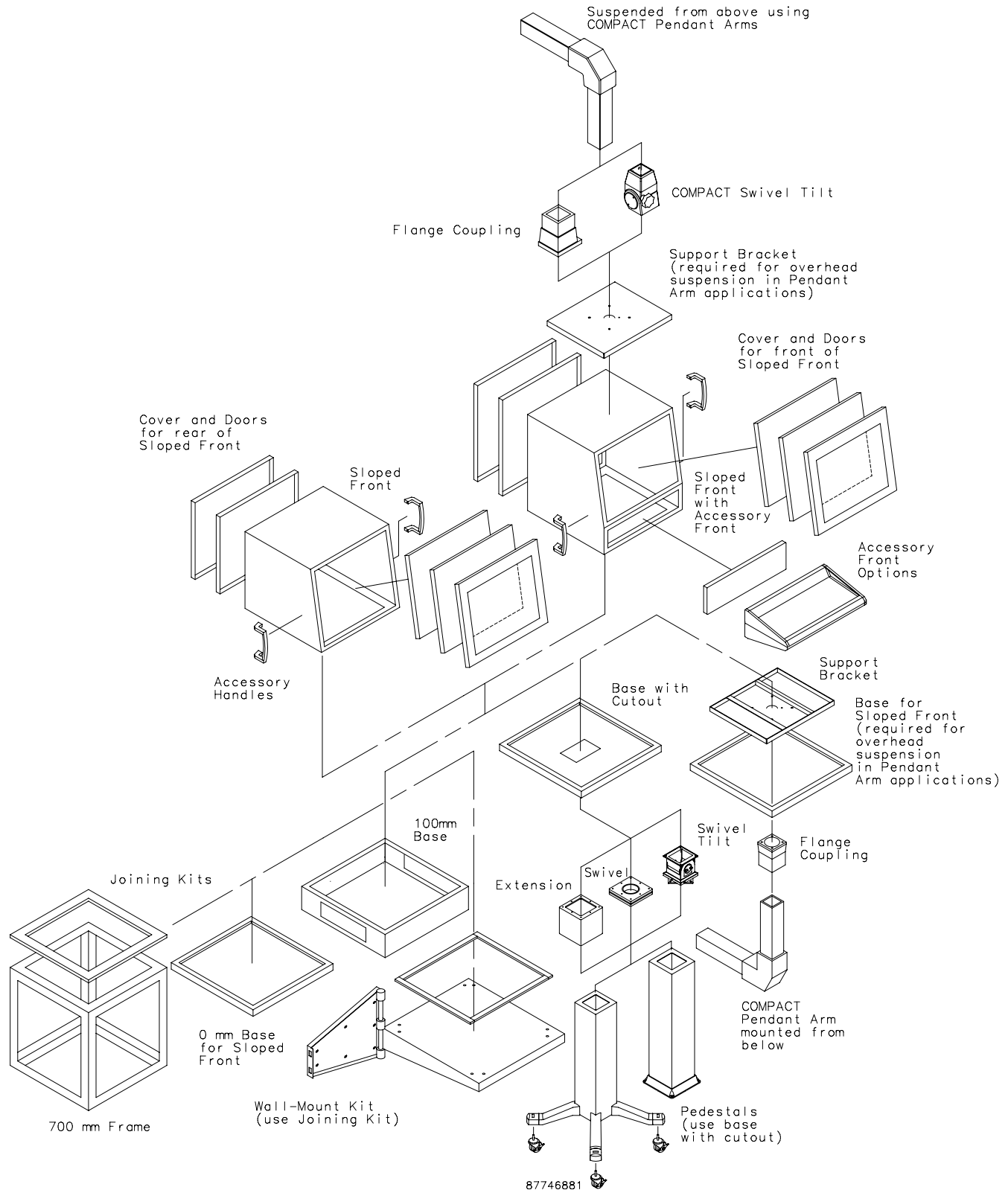
Stainless steel versions:

UL 508A Listed; Type 4, 4X, 12: File No. E61997
cUL Listed per CSA C22.2 No. 94; Type 4, 4X, 12: File No. E61997

NEMA/EEMAC Type 4, 4X, 12
IEC 60529, IP66

APPLICATION

A truly modular, build-your-own system for CRT monitors and keyboards, the PROLINE™ Sloped-Front HMI System's foundation is extremely adaptable for nearly any application. Add one or more of the many possible fronts, backs, mounting options, doors and bases to the core frame to build an enclosure that meets your design specifications.



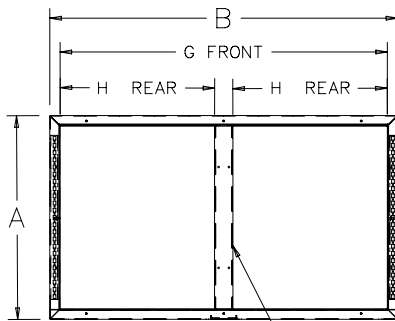
SLOPED FRONT

Enclosure is available in three heights—400, 500 and 700 mm. Full-front opening for door/cover options has a 5-degree slope. Rear opening(s) for door and cover options. Optional PROLINE™ Frame Shelf or PROLINE Grid System is recommended to provide a stationary platform for supporting deep equipment. The open bottom is suitable for joining the top to a 700-mm-tall PROLINE frame. The bottom of the 600 x 600-mm sizes can be joined through a cutout base to a pedestal or pendant arm system. A support bracket accessory allows the 600 x 600-mm sizes to be suspended from an overhanging pendant arm. Sloped-front enclosures are Type 304 stainless steel or 14 gauge steel with a RAL 7035 light-gray textured polyester powder paint finish.

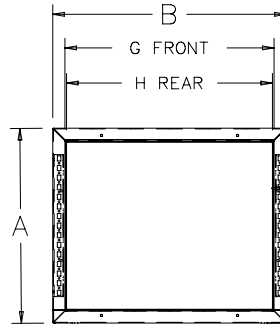


BULLETIN: P9, P9S

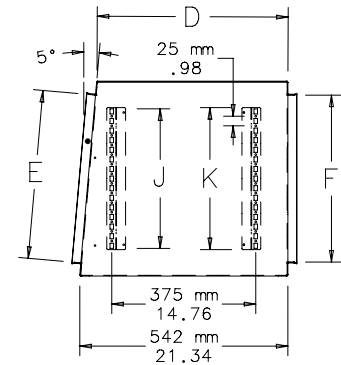
Catalog Number	AxB mm/in.	D mm/in.	Description	Nominal Size A x B x C mm/in.	Front Opening E x G mm/in.	Rear Opening F x H mm/in.	Internal Mounting J mm/in.	Internal Mounting K mm/in.	Product Weight (lb.)
PST466	407 x 608	507	Steel	400 x 600 x 600	339 x 536	336 x 564	225	225	44.0
	16.04 x 23.94	19.96			13.36 x 21.11	13.21 x 21.11	8.86	8.86	
PST566	507 x 608	498	Steel	500 x 600 x 600	440 x 536	435 x 536	325	325	46.7
	19.98 x 23.94	19.61			17.31 x 21.11	17.13 x 21.11	12.80	12.80	
PST766	707 x 608	481	Steel	700 x 600 x 600	641 x 536	636 x 536	525	525	59.9
	27.85 x 23.94	18.92			25.22 x 21.11	25.02 x 21.11	20.67	20.67	
PST766SS	707 x 608	481	Stainless Steel	700 x 600 x 600	641 x 536	636 x 536	525	525	68.0
	27.85 x 23.94	18.92			25.22 x 21.11	25.02 x 21.11	20.67	20.67	
PST786	707 x 808	481	Steel	700 x 800 x 600	640 x 736	636 x 736	525	525	66.0
	27.85 x 31.81	18.92			25.22 x 28.98	25.02 x 28.98	20.67	20.67	
PST7126	707 x 1208	481	Steel	700 x 1200 x 600	641 x 1136	636 x 536	525	525	82.0
	27.85 x 47.56	18.92			25.22 x 44.73	25.02 x 21.11	20.67	20.67	



1200 mm wide



800 mm wide



87746882

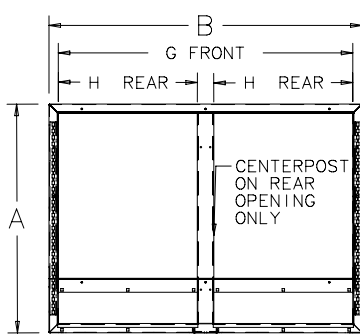
SLOPED FRONT WITH ACCESSORY OPENING

Enclosure is available in two heights: 500 mm and 700 mm. Upper front opening for door/cover options has a 5-degree slope. Lower section is suitable for keyboard or other front options. Rear opening(s) for door and cover options. The internal mounting hole pattern accommodates most PROLINE™ internal accessories. Optional PROLINE Frame Shelf or PROLINE Grid System provides a stationary platform for supporting deep equipment. The open bottom is suitable for joining the top to a 700-mm PROLINE frame. The bottom of the 600 x 600-mm sizes can be joined through a cutout base to a pedestal or pendant arm system. A support bracket accessory allows the 600 x 600-mm size to be suspended from an overhanging pendant arm. Sloped fronts with accessory opening are Type 304 stainless steel or 14 gauge steel with RAL 7035 textured light-gray polyester powder paint finish.

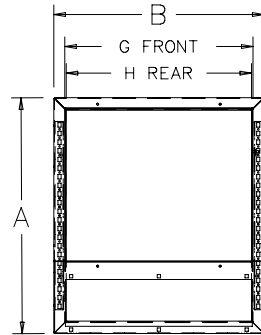


BULLETIN: P9, P9S

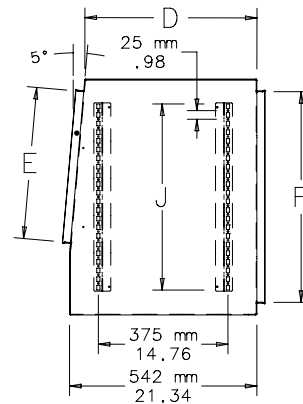
Catalog Number	AxB mm/in.	D mm/in.	Description	Nominal Size A x B x C mm/in.	Front Opening E x G mm/in.	Rear Opening F x H mm/in.	Internal Mounting J mm/in.	Internal Mounting K mm/in.	Product Weight (lb.)
PST5A66	682 x 608 26.85 x 23.94	498 19.61	Steel	500A x 600 x 600	440 x 536 17.31 x 21.11	611 x 536 24.04 x 21.11	500 19.69	500 19.69	59.0
PST5A86	682 x 808 26.85 x 31.81	498 19.61	Steel	500A x 800 x 600	440 x 736 17.31 x 28.98	611 x 736 24.04 x 28.98	500 19.69	500 19.69	64.0
PST5A126	682 x 1208 26.85 x 47.56	498 19.61	Steel	500A x 1200 x 600	440 x 1136 17.31 x 44.73	611 x 536 24.04 x 21.11	500 19.69	500 19.69	86.0
PST7A66	882 x 608 34.72 x 23.94	481 18.92	Steel	700A x 600 x 600	641 x 536 25.22 x 21.11	811 x 536 31.91 x 21.11	700 27.56	700 27.56	70.0
PST7A86	882 x 808 34.72 x 31.81	481 18.92	Steel	700A x 800 x 600	641 x 736 25.22 x 28.98	811 x 736 31.91 x 28.98	700 27.56	700 27.56	73.0
PST7A126	882 x 1208 34.72 x 47.56	481 18.92	Steel	700A x 1200 x 600	641 x 1136 25.22 x 44.73	811 x 536 31.91 x 21.11	700 27.56	700 27.56	111.0



1200 mm wide Sloped Top with Accessory Front

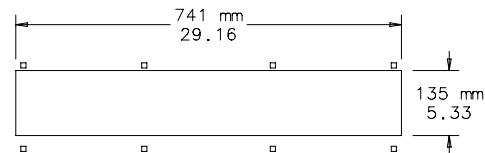
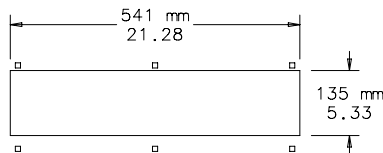


600 mm wide Sloped Top with Accessory Front



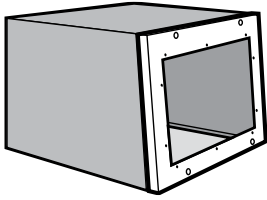
87799045

Accessory Front Opening Dimensions



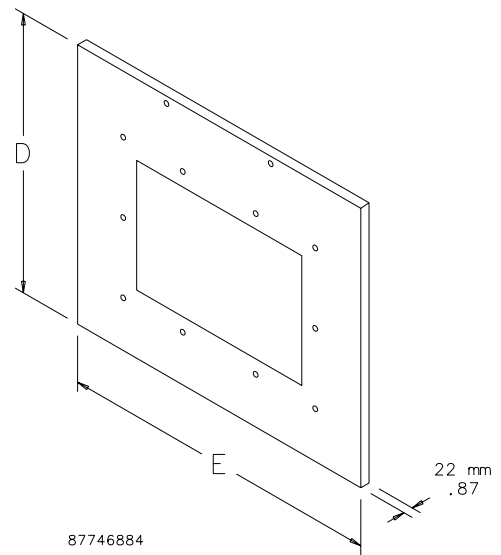
87799046

COVERS WITH HMI CUTOUT FOR UPPER FRONT OF SLOPED FRONTS



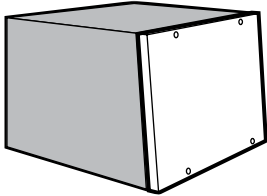
Covers with HMI cutouts are secured to the front opening of a PROLINE™ Sloped Front with semi-flush cover screws along the top and bottom cover edges. Use PROLINE Frame Shelf or PROLINE Grid Straps and Plates to support human-machine interface. Ground stud and mounting hardware are included. Seamless foam-in-place gasket assures a watertight and dust-tight seal. 16 gauge steel cover finish is RAL 7035 textured light-gray polyester powder paint. Optional tamper-resistant cover screws are available. *Hoffman can provide pre-configured covers to meet your specific requirements. Contact your local Hoffman sales office or distributor for more information.*

BULLETIN: P9



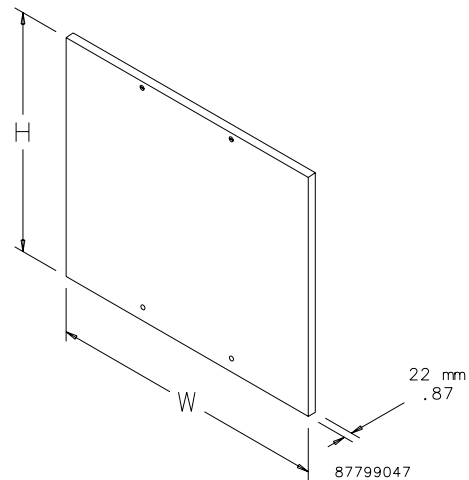
Catalog Number	Manufacturer	Model for Manufacturer	Approx. HMI Weight (lb.)	Approx. HMI Weight (kg)	D x E mm/in.	Fits Sloped front	Product Weight (lb.)
PCSK56F6	Allen-Bradley	PanelView 1200e/1400e Keypad	46	20.9	504 x 592 19.86 x 23.30	500 x 600 and 500A x 600	13.0

COVERS FOR UPPER FRONT OF SLOPED FRONTS



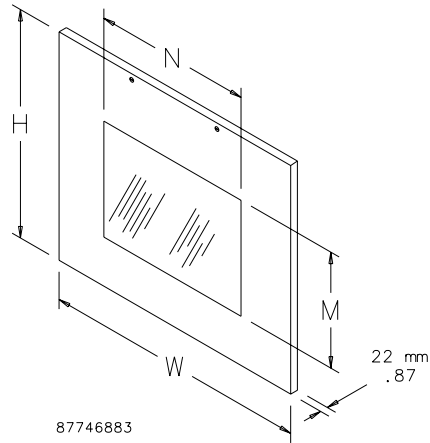
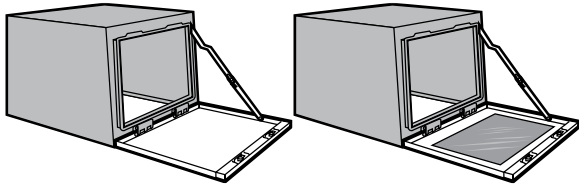
Solid 16 gauge steel covers are secured to the front opening of a PROLINE™ Sloped Front with semi-flush cover screws along the top and bottom cover edges. Ground stud and mounting hardware are included. Seamless foam-in-place gasket assures a watertight and dust-tight seal. Covers are Type 304 stainless steel or 16 gauge steel with a RAL 7035 light-gray textured polyester powder paint finish. Optional tamper-resistant cover screws are available.

BULLETIN: P9, P9S



Catalog Number	Description	Cover Size H x W (mm)	Cover Size H x W (in.)	Product Weight (lb.)
PCS46F	Steel	406 x 592	15.98 x 23.30	13.0
PCS56F	Steel	506 x 592	19.93 x 23.30	14.0
PCS58F	Steel	506 x 792	19.93 x 31.17	17.0
PCS58FSS	Stainless Steel	506 x 792	19.93 x 31.17	23.0
PCS512F	Steel	507 x 1192	19.93 x 46.92	25.0
PCS76F	Steel	707 x 592	27.84 x 23.30	15.5
PCS76FSS	Stainless Steel	707 x 592	27.84 x 23.30	19.5
PCS78F	Steel	707 x 792	27.84 x 31.17	20.5
PCS712F	Steel	707 x 1192	27.84 x 46.92	30.0

DOORS FOR UPPER FRONT OF PROLINE™ SLOPED FRONTS



Solid 16 gauge steel doors are available with or without windows. Doors are hinged at lower edge and have quarter-turn latches. A stop arm assembly holds the door at 95 degrees (horizontal) from its closed position. Standard latch and insert options are available. Ground stud and mounting hardware are included. Seamless polyurethane foam-in-place gasket assures watertight and dust-tight seal.

Window doors feature a maximum size .25-in.-thick polycarbonate window with a smoke-gray tint. Window is field-replaceable. Finish is RAL 7035 textured light-gray polyester powder paint or Type 304 stainless steel.

BULLETIN: P9, P9S

Solid Doors for Upper Front

Catalog Number	Description	Door Size H x W (mm)	Door Size H x W (in.)	Product Weight (lb.)
PDS46F	Steel	404 x 592	15.91 x 23.30	14.0
PDS56F	Steel	504 x 592	19.86 x 23.30	15.0
PDS56FSS	Stainless Steel	504 x 592	19.86 x 23.30	21.5
PDS58F	Steel	504 x 792	19.86 x 31.17	18.0
PDS58FSS	Stainless Steel	504 x 792	19.86 x 31.17	24.0
PDS512F	Steel	504 x 1192	19.86 x 46.92	26.0
PDS76F	Steel	705 x 592	27.77 x 23.30	16.5
PDS76FSS	Stainless Steel	705 x 592	27.77 x 23.30	20.5
PDS78F	Steel	705 x 792	27.77 x 31.17	21.5
PDS712F	Steel	705 x 1192	27.77 x 46.92	31.0

Window Doors for Upper Front

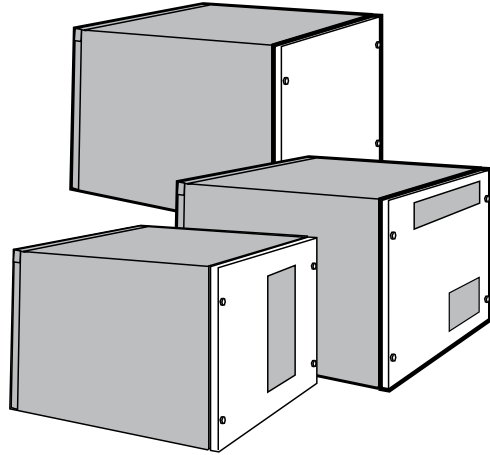
Catalog Number	Description	Door Size H x W (mm)	Door Size H x W (in.)	Window Size M x N (mm)	Window Size M x N (in.)	Product Weight (lb.)
PDW46F	Steel	404 x 592	15.91 x 23.30	254 x 432	10.00 x 17.00	14.0
PDW56F	Steel	504 x 592	19.86 x 23.30	362 x 432	14.25 x 17.00	15.0
PDW56W16	Steel	504 x 592	19.86 x 23.30	254 x 318	10.00 x 12.50	15.0
PDW58F	Steel	504 x 792	19.86 x 31.17	362 x 635	14.25 x 25.00	18.0
PDW58FSS	Stainless Steel	504 x 792	19.86 x 31.17	362 x 635	14.25 x 25.00	24.0
PDW76F	Steel	705 x 592	27.77 x 23.30	559 x 432	22.00 x 17.00	16.5
PDW76W21	Steel	705 x 592	27.77 x 23.30	330 x 432	13.00 x 17.00	16.5

UPPER FRONT DOOR ACCESSORIES

These accessories provide a variety of latch configurations for PROLINE™ sloped front doors.

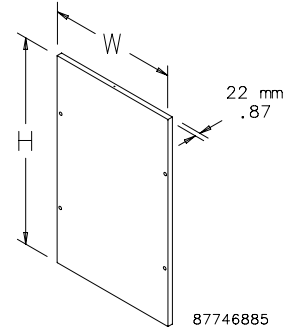
BULLETIN: A54Y, P9

Catalog Number	Description
LLKSM7	7-mm-square key insert
LLKSM8	8-mm-square key insert
LLKDBM3	Double-bit key insert with 3mm pin
LLKDB	Daimler Benz key insert
LLKSS	Slotted key insert
LLKWK	One wing knob latch and two keys
PSTLO	One flush key lock and two keys

COVERS FOR REAR OF SLOPED FRONTS


Cover fits rear opening of PROLINE™ Sloped Fronts and is secured with semi-flush cover screws along right and left cover edges. Use PROLINE Frame Shelf or PROLINE Grid Straps to support the operator interface. Seamless foam-in-place gasket assures watertight and dust-tight seal. Ground stud and mounting hardware are included. Optional tamper-resistant screws are available. Covers are Type 304 stainless steel or 16 gauge steel finished with RAL 7035 textured light-gray polyester powder paint.

BULLETIN: P9, P9S

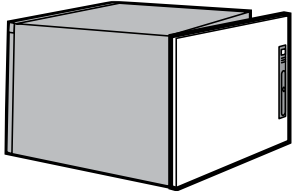

Solid Covers

Catalog Number	Description	Cover Size H x W (mm)	Cover Size H x W (in.)	Product Weight (lb.)
PCS46R	Steel	405 x 596	15.96 x 23.47	13.0
PCS56R	Steel	506 x 596	19.92 x 23.47	14.0
PCS76R	Steel	596 x 706	23.47 x 27.79	17.0
PCS76RSS	Stainless steel	596 x 706	23.47 x 27.79	23.0
PCS78R	Steel	706 x 796	27.79 x 31.35	20.5
PCS5A6R	Steel	679 x 597	26.75 x 23.51	15.0
PCS5A6RSS	Stainless steel	679 x 597	26.75 x 23.51	21.0
PCS5A8R	Steel	679 x 796	26.75 x 31.35	19.0
PCS7A6R	Steel	879 x 596	34.62 x 23.47	18.0
PCS7A8R	Steel	879 x 796	34.62 x 31.35	24.0

Covers with Cutouts for Hoffman Side Mount 13 Series Air Conditioner

Catalog Number	Description	Cover Size H x W (mm)	Cover Size H x W (in.)	Product Weight (lb.)
PCSK7A6ACR	Steel	879 x 596	34.62 x 23.47	18.0

DOORS FOR REAR OF PROLINE™ SLOPED TOPS



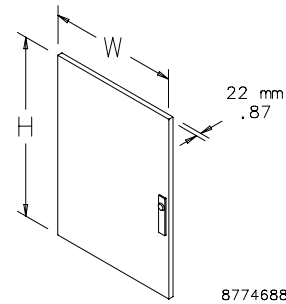
Rear doors are side-hinged. The hinges are hidden and provide 130-degree door swing. Optional PROLINE™ 180-Degree Hinge Kit is available (see PROLINE Solid Rear Door Accessories in this section). Doors can be hinged from left or right. Door includes two-point latching with a flush slotted quarter-turn insert. Standard PROLINE handle and insert options are available for retrofit (see PROLINE Solid Rear Door Accessories in this section). Use PROLINE Frame Shelf or PROLINE Grid Straps to support the operator interface. Ground stud and mounting hardware are included. Seamless foam-in-place gasket assures a watertight and dust-tight seal. Covers are Type 304 stainless steel or 16 gauge steel finished with RAL 7035 textured light-gray polyester powder paint.

BULLETIN: P9, P9S

SOLID REAR DOOR ACCESSORIES

Accessories listed here are designed for use with PROLINE™ Sloped Front Rear Doors.

See *PROLINE Accessories in the Modular Enclosure Systems chapter.*


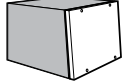
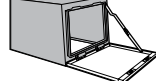

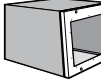



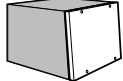
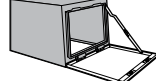

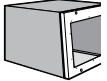
87746886


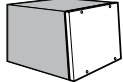
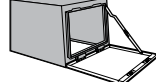

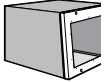
Catalog Number	Description	Door Size H x W (mm)	Door Size H x W (in.)	Product Weight (lb.)
PDS46R	Steel	405 x 592	15.96 x 23.30	10.0
PDS56R	Steel	506 x 592	19.91 x 23.30	12.0
PDS76STR	Steel	706 x 592	27.79 x 23.30	15.0
PDS76RSS	Stainless Steel	706 x 592	27.79 x 23.30	19.5
PDS78STR	Steel	706 x 792	27.79 x 31.17	19.5
PDS5A6R	Steel	679 x 592	26.75 x 23.30	14.5
PDS5A8R	Steel	679 x 792	26.75 x 31.17	19.0
PDS7A6R	Steel	879 x 592	34.62 x 23.30	18.0
PDS7A8R	Steel	879 x 792	34.62 x 31.17	24.0


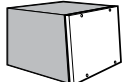
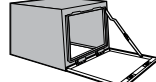

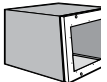
Catalog Numbers	Description
Key Inserts	
PK0TM7	7-mm triangle
PK0TM8	8-mm triangle
PK0TM65	CNOMO
PK0SM7	7-mm square
PK0SM8	8-mm square
PK0DBK3	Double-bit with 3mm pin
PK0DB	Daimler Benz
PK0ATT	AT&T
Flush Handle	
PSHKBL	One handle and two keys
Data Pockets	
ADP1	Small data pocket
ADP2	Large data pocket

PROLINE™ SLOPED-FRONT HMI ENCLOSURE SYSTEM SELECTION MATRIX: FRONT AND REAR OPTIONS


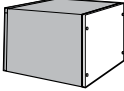
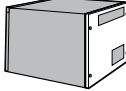
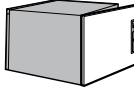
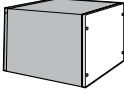
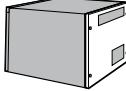
 Sloped Front			Front Options						
									
A	B	C	Solid Cover (Steel)	Solid Cover (Stainless Steel)	Solid Door (Steel)	Solid Door (Stainless Steel)	Window Door (Steel)	Window Door (Stainless Steel)	Cover with HMI Cutout
400	600	600	PCS46F		PDS46F		PDW46F		
500	600	600	PCS56F		PDS56F		PDW56F OR PDW56W16		PCSK56F6
700	600	600	PCS76F		PDS76F		PDW76W OR PDW76W21		PCSK76F6
700	800	600	PCS78F		PDS78F				


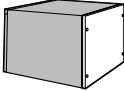
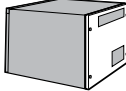
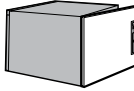
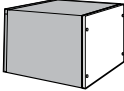
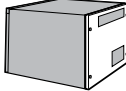
 1200-mm Sloped Front			Front Options						
									
A	B	C	Solid Cover (Steel)	Solid Cover (Stainless Steel)	Solid Door (Steel)	Solid Door (Stainless Steel)	Window Door (Steel)	Window Door (Stainless Steel)	Cover with HMI Cutout
700	1200	600	PCS712F		PDS712F				


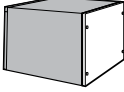
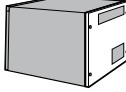
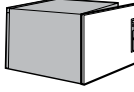
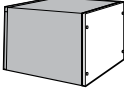
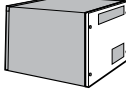
 Sloped Front with Accy. Front Opening			Front Options						
									
A	B	C	Solid Cover (Steel)	Solid Cover (Stainless Steel)	Solid Door (Steel)	Solid Door (Stainless Steel)	Window Door (Steel)	Window Door (Stainless Steel)	Cover with HMI Cutout
500A	600	600	PCS56F		PDS56F		PDW56F OR PDW56W16		
500A	800	600	PCS58F		PDS58F		PDW58F		PCSK56F6
700A	600	600	PCS76F		PDS76F		PDW76F OR PDW76W21		PCSK76F6
700A	800	600	PCS78F		PDS78F				


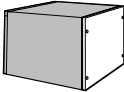
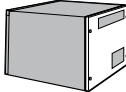
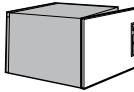
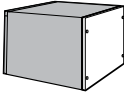
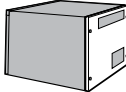
 1200-mm Sloped Front with Accy. Front Opening			Front Options						
									
A	B	C	Solid Cover (Steel)	Solid Cover (Stainless Steel)	Solid Door (Steel)	Solid Door (Stainless Steel)	Window Door (Steel)	Window Door (Stainless Steel)	Cover with HMI Cutout
500A	1200	600	PCS512F		PDS512F				
700A	1200	600	PCS712F		PDS712F				

Selection Matrix: Rear Options

Rear Options							
					Sloped Front		
Solid Cover (Steel)	Solid Cover (Stainless Steel)	Cover with Air Conditioner Cutout^a	Door with Side Hinge (Steel)	Door with Side Hinge (Stainless Steel)	A	B	C
PCS46R			PDS46R ^b		400	600	600
PCS56R			PDS56R ^b		500	600	600
PCS76R	PCS76RSS	PCSK7A6ACR	PDS76STR ^b	PDS76RSS ^b	700	600	600
PCS78R			PDS78STR ^b		700	800	600

Rear Options							
					1200-mm Sloped Front		
Solid Cover (Steel)	Solid Cover (Stainless Steel)	Cover with Air Conditioner Cutout^a	Door with Side Hinge (Steel)	Door with Side Hinge (Stainless Steel)	A	B	C
PCS76R	PCS76SS	PCSK7A6ACR	PDS76STR ^b	PDS76RSS ^b	700	1200	600

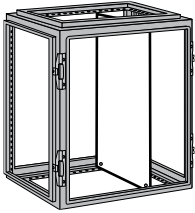
Rear Options							
					Sloped Front with Accy. Front Opening		
Solid Cover (Steel)	Solid Cover (Stainless Steel)	Cover with Air Conditioner Cutout^a	Door with Side Hinge (Steel)	Door with Side Hinge (Stainless Steel)	A	B	C
PCS5A6R	PCS5A6RSS		PDS5A6R ^b		500A	600	600
PCS5A8R			PDS5A8R ^b		500A	800	600
PCS7A6R	PCS7A6RSS	PCSK7A6ACR	PDS7A6R ^b		700A	600	600
PCS7A8R			PDS7A8R ^b		700A	800	600

Rear Options							
					1200-mm Sloped Front with Accy. Front Opening		
Solid Cover (Steel)	Solid Cover (Stainless Steel)	Cover with Air Conditioner Cutout^a	Door with Side Hinge (Steel)	Door with Side Hinge (Stainless Steel)	A	B	C
PCS5A6R	PCS5A6RSS		PDS5A6R ^b		500A	1200	600
PCS7A6R	PCS7A6RSS	PCSK7A6ACR	PDS7A6R ^b		700A	1200	600

^aFor Hoffman Side-Mount 13 Series air conditioners.

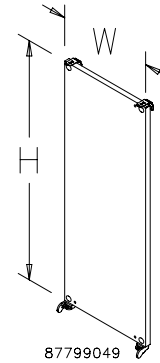
^bDoor hinged on side. Two-point latching with slotted insert. Other handle options are available. See Accessories for Sloped Front HMI Enclosures in this section.

FULL SUBPANELS



Subpanels are 12 gauge steel, have flanges on all sides and are painted white (conductive panels are plated). They can be mounted in PROLINE™ frame bases and HMI sloped fronts at any depth in 25-mm increments using optional grid straps. All mounting hardware is included.

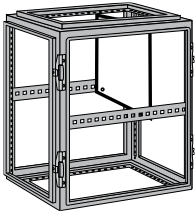
BULLETIN: P20



87799049

Catalog Number	Conductive Panel	H (mm)	H (in.)	W (mm)	W (in.)	Fits
PPF76	PPF76G	585	23.03	530	20.87	500A x 600 and 700 x 600
PPF78	PPF78G	585	23.03	730	28.74	500A x 800 and 700 x 800
PPF712	—	585	23.03	1130	44.49	500A x 1200 and 700 x 1200

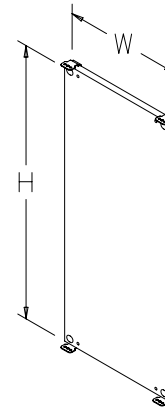
PARTIAL SUBPANELS



A-T-O

Partial Subpanels are 12 gauge steel, have flanges on all sides and are painted white (conductive panels are plated). They can be positioned vertically in .88-in. increments and can also be positioned in PROLINE™ frame bases and HMI sloped fronts at 25-mm increments using optional grid straps. All mounting hardware is included.

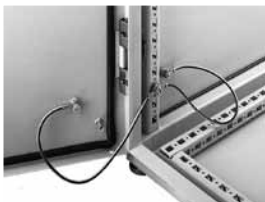
BULLETIN: P20



87746888

Catalog Number	Conductive Panel	H (mm)	H (in.)	W (mm)	W (in.)	Fits
PPP46	PPP46G	360	14.17	530	20.87	All 600-mm-wide HMIs
PPP48	PPP48G	360	14.17	730	28.74	All 800-mm-wide HMIs
PPP412	PPP412G	360	14.17	1130	44.49	All 1200-mm-wide HMIs

PROLINE™ GROUNDING KIT

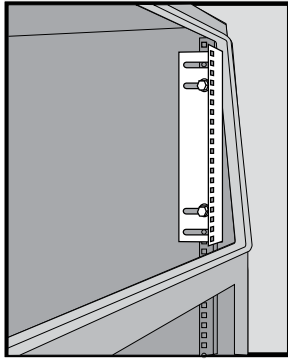


The Grounding Kit allows a PROLINE™ enclosure to be grounded to VDE specifications. Includes six 12 gauge wires 411-mm (16.19-in.) long with ring terminations and M6 mounting hardware.

BULLETIN: P9

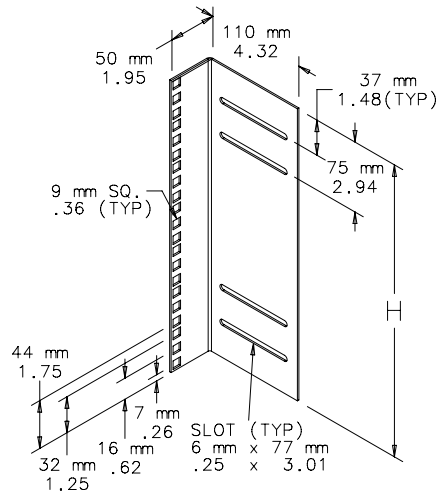
Catalog Number	Wire Size	Length Between Ring Terminals mm/in.	Ring Terminal Hole Diameter mm/in.
PGK	12 ga.	411 16.19	7 .29

RACK ANGLES FOR SLOPED FRONTS



Symmetrical Rack Angles have through-holes in mounting surfaces for mounting rack equipment. Angles are 14 gauge plated steel. Rack Angles with through-holes accommodate either English or metric cage nuts. Rack Angles are furnished in pairs and comply with ANSI/EIA RS310 rack mounting standards.

BULLETIN: P9



Catalog Number	Units	H (mm)	H (in.)	Description	Product Weight (lb.)
PRA5TH	5	223	8.77	General Purpose Short Section	2.5
PRA7TH	7	312	12.27	Fits Front a back of 400-mm-high HMI	3.5
PRA9TH	9	401	15.77	Fits front of 500/500A and back of 700/500A	4.5
PRA13TH	13	578	22.77	Fits front of 500/500A and back of 700/500A	6.5
PRA17TH	17	756	29.77	Fits back of 700A	8.0

One unit = 1.75 inches (44.4mm).

JOINING KITS

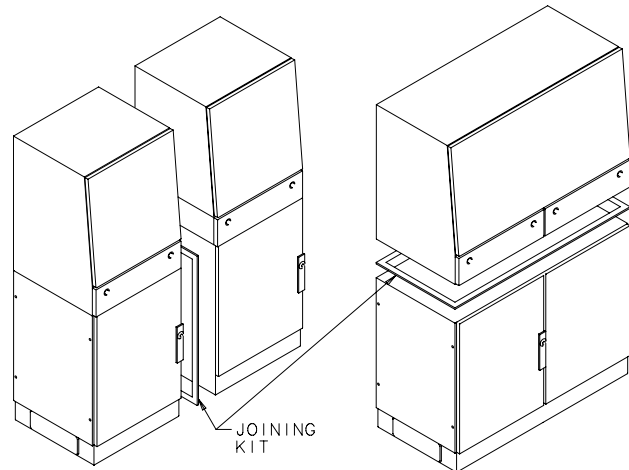


Joining Kits permit joining two 700-mm frames while maintaining an environmental seal. Joining Kit for Side-to-Side Applications (PJ2FW7) fits on either side of the frame.





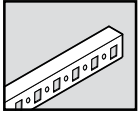
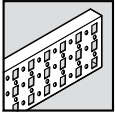
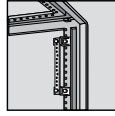
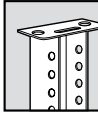
Top-to-frame Joining Kits permit joining two 700-mm frames while maintaining an environmental seal. Joining Kit for Side-to-Side Applications (PJ2FW7) fits on either side of the frame. allow sloped fronts to be attached to 700-mm PROLINE™ frames or to wall-mount kit. Kits available for one sloped front and one frame or one 1200-mm wide sloped front on two joined frames. Kits include gasket and mounting hardware.

BULLETIN: P9

Catalog Number	Description
PJ2FW7	Joins frames side-to-side under HMI Sloped fronts
PJSTF6	Joins HMI sloped front to 600 x 600-mm frame
PJSTF8	Joins HMI sloped front to 800 x 600-mm frame
PJSTF12	Joins HMI sloped front to 1200 x 600-mm frame



PROLINE™ SLOPED-FRONT HMI ENCLOSURE SYSTEM SELECTION MATRIX: INTERNAL COMPONENTS

 Sloped Front Frame Bases	 Full Subpanel (See Modular Enclosures)			 Partial Subpanel (See Modular Enclosures)			 Swing-Out Panel Kit (See Modular Enclosures)		 Grid Strap One Row (See Modular Enclosures)				 Grid Strap Three Row (See Modular Enclosures)				 Grounding Bar System (See Modular Enclosures)		 Center Upright (See Modular Enclosures)
	PPF76 / PPF76G	PPF78 / PPF78G	PPF712	PPP46 / PPP46G	PPP48 / PPP48G	PPP412 / PPP412G	PSP76	PSP78	PGH1S6	PGH1S7	PGH1S9	PGH1S13	PGH3S6	PGH3S7	PGH3S9	PGH3S12	PGS2K	PGS4K	PCU7
	PF766	•			•			•		•	•		•	•			•	•	
PR786		•			•			•		•		•		•		•	•		
PF7126			•		•			•			•	•			•	•	•	•	

Internal Components for Sloped-Front Frame Base

Swing-Out Rack Frame (See Modular Enclosures)		Rack Angles (See Modular Enclosures)		Frame Shelf (See Modular Enclosures)		Frame Reducing Brackets (See Modular Enclosures)	
PSF76	PSF78	PRA197TH/TP	PRA247TH/TP	PFSH66	PFSH86	PRB 50	
•				•			
•	•	•	•		•	•	
•							Sloped Front Frame Bases
							PF766
							PF786
							PF7126

Accessories for Swing-Out Rack Frame Include:	
Guides	PSFG
Rack Panels	A19RP____ (23 models)
Screw Package	AS1032 or PSMS
Clip Nut Packages	AN1032 or PNM5

Accessories for Rack Angles Include:	
Drawers	A19DR2U and A19DR4U
Drawer Writing Surface	A19WSDR
Guides	PSFG, AG1U5, and AG1U6
Slides	A16SL2U
Fixed Shelf	A19SH5 and A19SH6
Pull-Out Shelf	A19SHP6
Rack Panels	A19RP____ (23 models)
Screw Package	AS1032 or PSMS
Clip Nut Packages	AN1032 or PNM5

ACCESSORY FRONT OPTIONS


A variety of keyboard compartments and shelves, control compartments and writing surfaces is available in steel finished with RAL 7035 light-gray polyester powder paint or Type 304 stainless steel. Each one is designed to fit into the accessory front opening of the PROLINE™ HMI Sloped Front. An access cover is available for applications not requiring a keyboard or controls. An integrated elastomer keyboard/mouse combination is available on some models of the keyboard shelf accessory. The keyboard has 101 keys. Supplied cables are compatible with USB connections. See *Modular Enclosure Systems* chapter for keyboard accessory dimensions.

BULLETIN: P20, P20PC, P20S
Access Covers

Catalog Number	Description	Fits	Product Weight (lb.)
PCS6	Steel	600	7.3
PCSA6SS	Stainless Steel	600	9.2
PCS8	Steel	800	7.9

Console Compartments

Catalog Number	Description	Fits	Product Weight (lb.)
PCC6	Steel	600	30.0
PCC8	Steel	800	35.0
PCDS8SS	Stainless steel	800	44.0

PCDS6SS - See previous table for information on this compartment.

20-Degree Control Compartments

Catalog Number	Description	Fits	Product Weight (lb.)
PC20A6	Steel	600	21.0
PC20A8	Steel	800	26.0
PC20A8SS	Stainless Steel	800	29.0

Keyboard Compartments

Catalog Number	Description	Fits	Product Weight (lb.)
PKBC6R	Steel	600	42.0
PKBC8R	Steel	800	48.0

Keyboard Shelves

Catalog Number	Description	Fits	Product Weight (lb.)
PKBS6	Steel	600	20.0
PKBS8	Steel	800	24.0

Keyboard Shelves with Integrated Keyboard/Mouse

Catalog Number	Description	Fits	Product Weight (lb.)
PEKBCM6	Steel with keyboard	600	21.0
PEKBCM6SS	Stainless steel with keyboard	600	25.0

Notes