

CONCEPT™, TYPE 4X

INDUSTRY STANDARDS

Mounting brackets required to meet UL/CSA external mounting requirements.

UL 508A Listed; Type 3R, 4, 4X, 12; File No. E61997
 cUL Listed per CSA C22.2 No 94; Type 3R, 4, 4X, 12; File No. E61997

NEMA/EEMAC Type 3R, 4, 4X, 12, 13
 CSA File No. 42186: Type 4, 4X, 12
 VDE IP66
 IEC 60529, IP66
 Meets NEMA Type 3RX requirements

APPLICATION

For indoor or outdoor applications that require corrosion protection from chemicals and water. CONCEPT™ Enclosures feature streamlined styling with an attractive stroked finish and flush quarter-turn latches for secure closure. Available in solid- and window-door models.

SPECIFICATIONS

- Manufactured from Type 304 or Type 316L stainless steel
- Minimum-width body flange provides maximum body opening
- External formed 90-degree body flange
- Panel mounting studs fit optional CONCEPT panels and other accessories
- Mounting holes in back of body for direct mounting or for optional external mounting brackets
- Type 316 stainless steel hidden hinges promote clean aesthetic appearance
- Corner formed doors are interchangeable and easily removed by pulling clip-style hinge pins
- Provision on door (except window-door style and when B = 12 in.) for thermoplastic data pocket
- Provision on door (except window-door style and when B = 12 in.) for optional doorstop kit
- Quarter-turn latches furnished with flush slotted insert
- Seamless foam-in-place gasket
- Self-grounding latch system with double seal
- Bonding provision on door; grounding stud on body
- Furnished hardware kit consists of panel-mounting nuts, panel-grounding hardware and sealing washers for wall-mounting holes
- Installation instructions
- Window doors have a clear polycarbonate window

FINISH

Door and body have smooth #4 brushed finish.

ACCESSORIES

See also Accessories.

Type 316 Stainless Steel Door Stop Kit

CONCEPT™ Panels

H2OMIT™ Vent Drains, Type 4X

H2OMIT™ Thermoelectric Dehumidifier

Handles

Lock Inserts

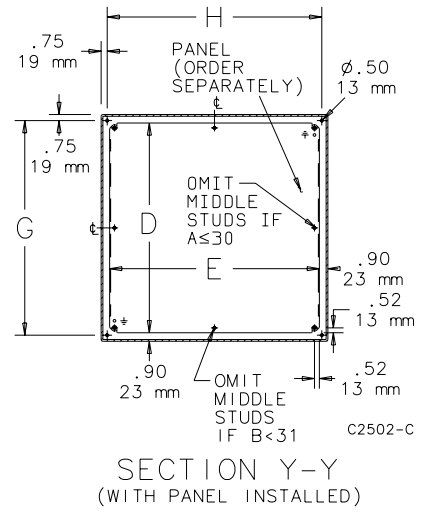
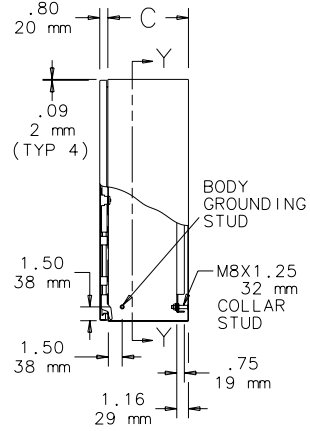
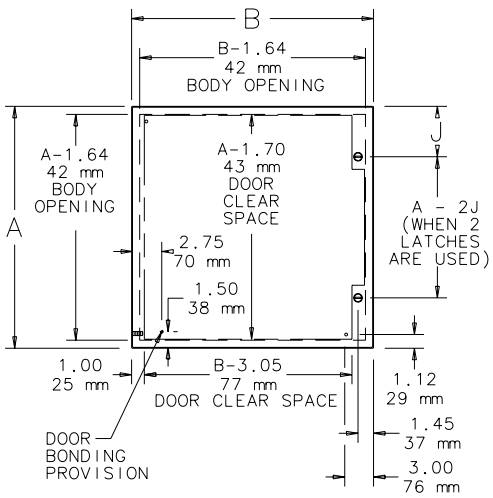
See also the Popular Cooling Products and Accessories tables following the Standard Products tables.

MODIFICATION AND CUSTOMIZATION

Hoffman excels at modifying and customizing products to your specifications. Contact your local Hoffman sales office or distributor for complete information.

BULLETIN: CWS
Standard Product One-Door

Catalog Number	AxBxC in.	AxBxC mm	Door Gauge	Body Gauge	Panel	Conductive Panel	Panel Size D x E (in.)	Panel Size D x E (mm)	Mounting G x H (in.)	Mounting G x H (mm)	Latches Qty.	Style	J (in.)	J (mm)
CSD12126SS	12.00 x 12.00 x 6.00	305 x 305 x 152	16	16	CP1212	CP1212G	10.20 x 10.20	259 x 259	10.50 x 10.50	267 x 267	1	Quarter-turn	6.00	152
CSD12126SS6	12.00 x 12.00 x 6.00	305 x 305 x 152	16	16	CP1212	CP1212G	10.20 x 10.20	259 x 259	10.50 x 10.50	267 x 267	1	Quarter-turn	6.00	152
CSD16126SS	16.00 x 12.00 x 6.00	406 x 305 x 152	16	16	CP1612	CP1612G	14.20 x 10.20	361 x 259	14.50 x 10.50	368 x 267	1	Quarter-turn	8.00	203
CSD16126SS6	16.00 x 12.00 x 6.00	406 x 305 x 152	16	16	CP1612	CP1612G	14.20 x 10.20	361 x 259	14.50 x 10.50	368 x 267	1	Quarter-turn	8.00	203
CSD16166SS	16.00 x 16.00 x 6.00	406 x 406 x 152	16	16	CP1616	CP1616G	14.20 x 14.20	361 x 361	14.50 x 14.50	368 x 368	1	Quarter-turn	8.00	203
CSD16166SS6	16.00 x 16.00 x 6.00	406 x 406 x 152	16	16	CP1616	CP1616G	14.20 x 14.20	361 x 361	14.50 x 14.50	368 x 368	1	Quarter-turn	8.00	203
CSD20166SS	20.00 x 16.00 x 6.00	508 x 406 x 152	16	16	CP2016	CP2016G	18.20 x 14.20	462 x 361	18.50 x 14.50	470 x 368	1	Quarter-turn	10.00	254
CSD20166SS6	20.00 x 16.00 x 6.00	508 x 406 x 152	16	16	CP2016	CP2016G	18.20 x 14.20	462 x 361	18.50 x 14.50	470 x 368	1	Quarter-turn	10.00	254
CSD20206SS	20.00 x 20.00 x 6.00	508 x 508 x 152	16	16	CP2020	CP2020G	18.20 x 18.20	462 x 462	18.50 x 18.50	470 x 470	1	Quarter-turn	10.00	254
CSD20206SS6	20.00 x 20.00 x 6.00	508 x 508 x 152	16	16	CP2020	CP2020G	18.20 x 18.20	462 x 462	18.50 x 18.50	470 x 470	1	Quarter-turn	10.00	254
CSD16128SS	16.00 x 16.00 x 8.00	406 x 406 x 203	16	16	CP1612	CP1612G	14.20 x 10.20	361 x 259	14.50 x 10.50	368 x 267	1	Quarter-turn	8.00	203
CSD16128SS6	16.00 x 12.00 x 8.00	406 x 305 x 203	16	16	CP1612	CP1612G	14.20 x 10.20	361 x 259	14.50 x 10.50	368 x 267	1	Quarter-turn	8.00	203
CSD16168SS	16.00 x 16.00 x 8.00	406 x 406 x 203	16	16	CP1616	CP1616G	14.20 x 14.20	361 x 361	14.50 x 14.50	368 x 368	1	Quarter-turn	8.00	203
CSD16168SS6	16.00 x 16.00 x 8.00	406 x 406 x 203	16	16	CP1616	CP1616G	14.20 x 14.20	361 x 361	14.50 x 14.50	368 x 368	1	Quarter-turn	8.00	203
CSD16208SS	16.00 x 20.00 x 8.00	406 x 508 x 203	16	16	CP2016	CP2016G	18.20 x 14.20	462 x 361	14.50 x 18.50	368 x 470	1	Quarter-turn	8.00	203
CSD16208SS6	16.00 x 20.00 x 8.00	406 x 508 x 203	16	16	CP2016	CP2016G	18.20 x 14.20	462 x 361	14.50 x 18.50	368 x 470	1	Quarter-turn	8.00	203
CSD20168SS	20.00 x 16.00 x 8.00	508 x 406 x 203	16	16	CP2016	CP2016G	18.20 x 14.20	462 x 361	18.50 x 14.50	470 x 368	1	Quarter-turn	10.00	254
CSD20168SS6	20.00 x 16.00 x 8.00	508 x 406 x 203	16	16	CP2016	CP2016G	18.20 x 14.20	462 x 361	18.50 x 14.50	470 x 368	1	Quarter-turn	10.00	254
CSD20208SS	20.00 x 20.00 x 8.00	508 x 508 x 203	16	16	CP2020	CP2020G	18.20 x 18.20	462 x 462	18.50 x 18.50	470 x 470	1	Quarter-turn	10.00	254
CSD20208SS6	20.00 x 20.00 x 8.00	508 x 508 x 203	16	16	CP2020	CP2020G	18.20 x 18.20	462 x 462	18.50 x 18.50	470 x 470	1	Quarter-turn	10.00	254
CSD24168SS	24.00 x 16.00 x 8.00	610 x 406 x 203	16	16	CP2416	CP2416G	22.20 x 14.20	564 x 361	22.50 x 14.50	572 x 368	1	Quarter-turn	12.00	305
CSD24168SS6	24.00 x 16.00 x 8.00	610 x 406 x 203	16	16	CP2416	CP2416G	22.20 x 14.20	564 x 361	22.50 x 14.50	572 x 368	1	Quarter-turn	12.00	305
CSD24208SS	24.00 x 20.00 x 8.00	610 x 508 x 203	16	16	CP2420	CP2420G	22.20 x 18.20	564 x 462	22.50 x 18.50	572 x 470	1	Quarter-turn	12.00	305
CSD24208SS6	24.00 x 20.00 x 8.00	610 x 508 x 203	16	16	CP2420	CP2420G	22.20 x 18.20	564 x 462	22.50 x 18.50	572 x 470	1	Quarter-turn	12.00	305
CSD24248SS	24.00 x 24.00 x 8.00	610 x 610 x 203	14	16	CP2424	CP2424G	22.20 x 22.20	564 x 564	22.50 x 22.50	572 x 572	2	Quarter-turn	5.00	127
CSD24248SS6	24.00 x 24.00 x 8.00	610 x 610 x 203	14	16	CP2424	CP2424G	22.20 x 22.20	564 x 564	22.50 x 22.50	572 x 572	2	Quarter-turn	5.00	127



SECTION Y-Y
(WITH PANEL INSTALLED)

Standard Product **One-Door with Window**

Catalog Number	AxBxC in.	AxBxC mm	Door Ga.	Body Ga.	Panel	Panel Size D x E (in.)	Panel Size D x E (mm)	Mounting G x H (in.)	Mounting G x H (mm)	Window Size M x N (in.)	Window Size M x N (mm)	Latch Qty.	Style	J (in.)	J (mm)
CSD12126WSS	12.00 x 12.00 x 6.00	305 x 305 x 152	16	16	CP1212	10.20 x 10.20	259 x 259	10.50 x 10.50	267 x 267	8.74 x 7.10	222 x 180	1	Quarter-turn	6.00	152
CSD16126WSS	16.00 x 12.00 x 6.00	406 x 305 x 152	16	16	CP1612	14.20 x 10.20	361 x 259	14.50 x 10.50	368 x 267	12.74 x 7.10	324 x 180	1	Quarter-turn	8.00	203
CSD20166WSS	20.00 x 16.00 x 6.00	508 x 406 x 152	16	16	CP2016	18.20 x 14.20	462 x 361	18.50 x 14.50	470 x 368	16.74 x 11.10	425 x 282	1	Quarter-turn	10.00	254
CSD20206WSS	20.00 x 20.00 x 6.00	508 x 508 x 152	16	16	CP2020	18.20 x 18.20	462 x 462	18.50 x 18.50	470 x 470	16.74 x 15.10	425 x 384	1	Quarter-turn	10.00	254
CSD20168WSS	20.00 x 16.00 x 8.00	508 x 406 x 203	16	16	CP2016	18.20 x 14.20	462 x 361	18.50 x 14.50	470 x 368	16.74 x 11.10	425 x 282	1	Quarter-turn	10.00	254
CSD20208WSS	20.00 x 20.00 x 8.00	508 x 508 x 203	16	16	CP2020	18.20 x 18.20	462 x 462	18.50 x 18.50	470 x 470	16.74 x 15.10	425 x 384	1	Quarter-turn	10.00	254
CSD24208WSS	24.00 x 20.00 x 8.00	610 x 508 x 203	16	16	CP2420	22.20 x 18.20	564 x 462	22.50 x 18.50	572 x 470	20.74 x 15.10	527 x 384	1	Quarter-turn	12.00	305
CSD24248WSS	24.00 x 24.00 x 8.00	610 x 610 x 203	14	16	CP2424	22.20 x 22.20	564 x 564	22.50 x 22.50	572 x 572	20.74 x 17.68	527 x 449	2	Quarter-turn	5.00	127
CSD30248WSS	30.00 x 24.00 x 8.00	762 x 610 x 203	14	16	CP3024	28.20 x 22.20	716 x 564	28.50 x 22.50	724 x 572	26.74 x 17.68	679 x 449	2	Quarter-turn	5.00	127
CSD161210WSS	16.00 x 12.00 x 10.00	406 x 305 x 254	16	16	CP1612	14.20 x 10.20	361 x 259	14.50 x 10.50	368 x 267	12.74 x 7.10	324 x 180	1	Quarter-turn	8.00	203
CSD201610WSS	20.00 x 16.00 x 10.00	508 x 406 x 254	16	16	CP2016	18.20 x 14.20	462 x 361	18.50 x 14.50	470 x 368	16.74 x 11.10	425 x 282	1	Quarter-turn	10.00	254
CSD202010WSS	20.00 x 20.00 x 10.00	508 x 508 x 254	16	16	CP2020	18.20 x 18.20	462 x 462	18.50 x 18.50	470 x 470	16.74 x 15.10	425 x 384	1	Quarter-turn	10.00	254
CSD242010WSS	24.00 x 20.00 x 10.00	610 x 508 x 254	16	16	CP2420	22.20 x 18.20	564 x 462	22.50 x 18.50	572 x 470	20.74 x 15.10	527 x 384	1	Quarter-turn	12.00	305
CSD242410WSS	24.00 x 24.00 x 10.00	610 x 610 x 254	14	16	CP2424	22.20 x 22.20	564 x 564	22.50 x 22.50	572 x 572	20.74 x 17.68	527 x 449	2	Quarter-turn	5.00	127
CSD302410WSS	30.00 x 24.00 x 10.00	762 x 610 x 254	14	16	CP3024	28.20 x 22.20	716 x 564	28.50 x 22.50	724 x 572	26.74 x 17.68	679 x 449	2	Quarter-turn	5.00	127
CSD202012WSS	20.00 x 20.00 x 12.00	508 x 508 x 305	14	16	CP2020	18.20 x 18.20	462 x 462	18.50 x 18.50	470 x 470	16.74 x 15.10	425 x 384	1	Quarter-turn	10.00	254
CSD302412WSS	30.00 x 24.00 x 12.00	762 x 610 x 305	14	16	CP3024	28.20 x 22.20	716 x 564	28.50 x 22.50	724 x 572	26.74 x 17.68	679 x 449	2	Quarter-turn	5.00	127

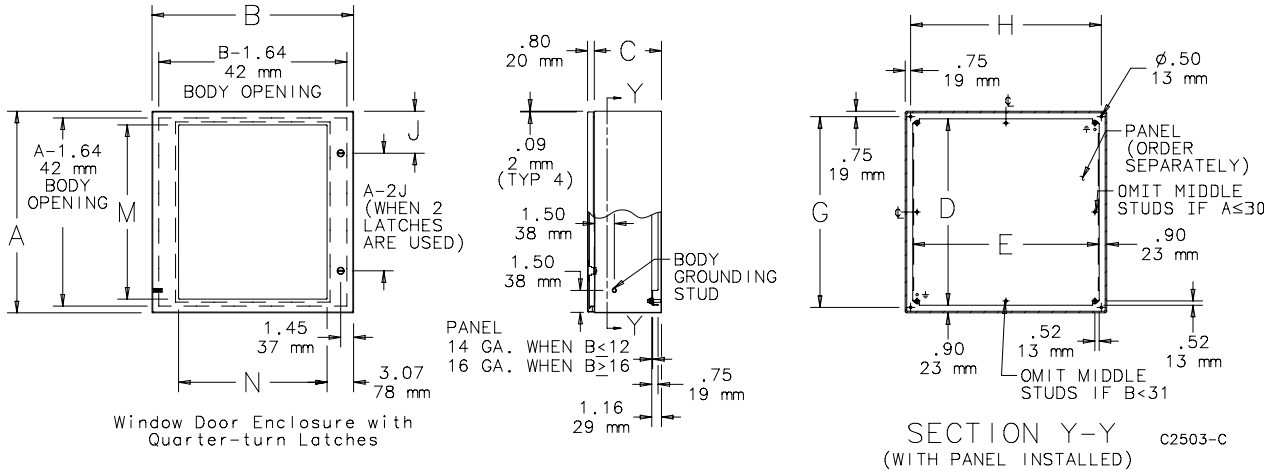
Purchase panels separately.

Optional NEMA style steel and stainless steel panels require conversion kit catalog number CCPM4.

Material is stainless steel Type 304.

For Conductive Panels, add a "G" to the panel catalog number.

CONCEPT Single-Door Wall-Mounted Enclosures with Windows



Popular Cooling Products

Enclosure Depth (C Dimension)	Filter Fans*
6 in. (152 mm)	SF0416414
8 in. (203 mm)	SF0516414
10 in. (254 mm)	SF0916414
12 in. (305 mm)	SF1016414

*Important: Visit tools.hoffmanonline.com/attachments to access our **Cooling Selection Tool** to determine the appropriate cooling solution for your application.

Popular Accessories

Enclosure Width (B Dimension)	Lights	Hole Seals	Window Kits
12 in. (305 mm)	LEDPUCK	AS050SS	APWK53NFSS
16 in. (406 mm)	LEDA2M35	AS050SS	APWK53NFSS
20 in. (508 mm)	LED24V15	AS050SS	APWK53NFSS
24 in. (610 mm)	LED24V15	AS050SS	APWK53NFSS
30 in. (762 mm)	LED24V15	AS050SS	APWK53NFSS