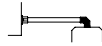


### FLANGE ELBOW COUPLING

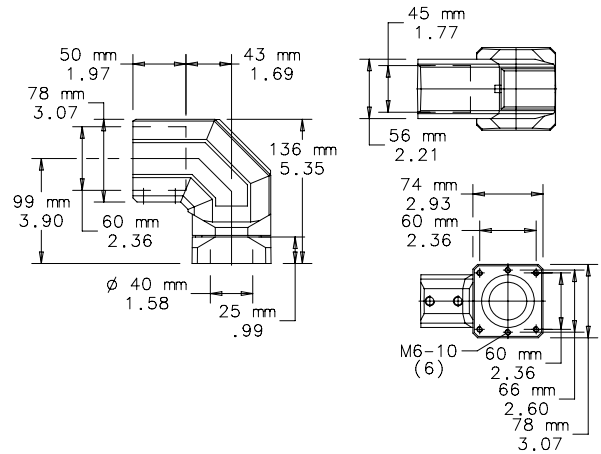


Turning range of 300 degrees. Maintenance-free bearing is steel and polyamide. Includes access plate for easy wire installation. Cast aluminum finished in RAL 7035 light-gray polyester powder paint. Installation hardware, mounting fasteners and gasket included.

**BULLETIN: CS4**



Catalog Number	Weight (lb.)
CCS2FECLG	3.0



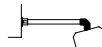
87799110

### FLANGE ELBOW COUPLING, 15-DEGREE

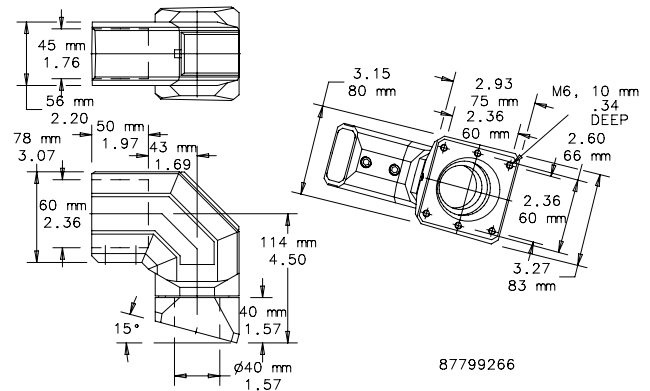


Turning range of 300 degrees. Maintenance-free bearing is steel and polyamide. Access plate included for easy wire installation. Enclosure is mounted at a 15-degree incline angle. Cast aluminum finished in RAL 7035 light-gray polyester powder paint. Installation hardware, mounting fasteners and gaskets included.

**BULLETIN: CS4**



Catalog Number	Product Weight (Lb.)
CCS2FEC15LG	3.1



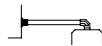
87799266

### BASE BRACKET/WALL FLANGE

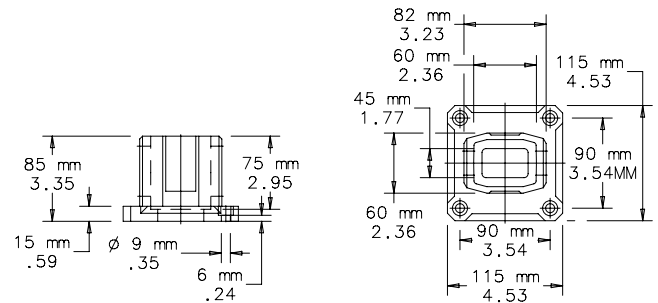


Cast aluminum with RAL 7035 light-gray polyester powder paint finish. Set screws and gasket are not provided. Mounting fasteners are not provided.

**BULLETIN: CS4**



Catalog Number	Weight (lb.)
CCS2WFBLG	2.5



87799112