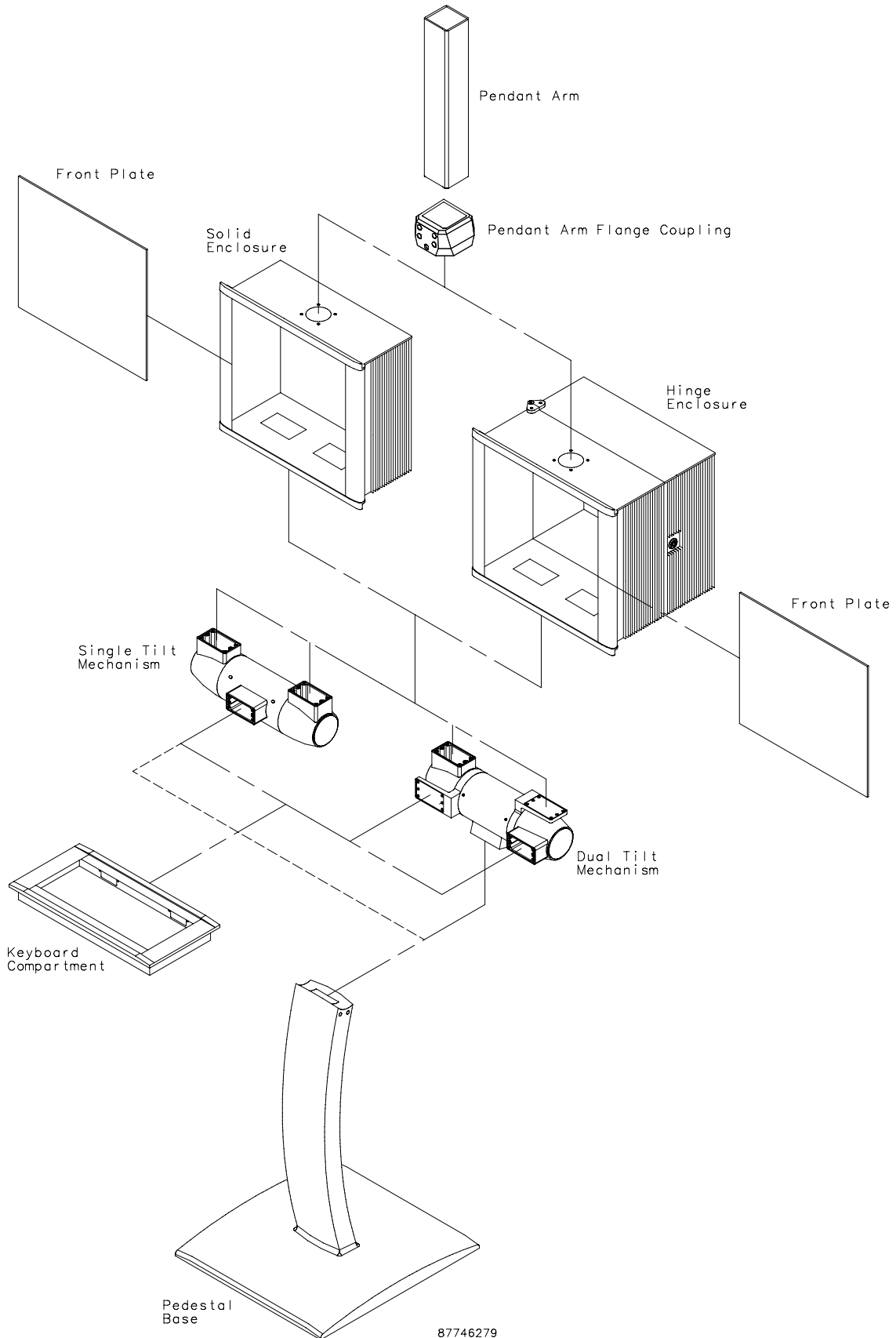


## CC4000 HMI OVERVIEW



This attractive family of human-machine interface (HMI) enclosures sets a new standard for visual appeal coupled with design flexibility and ease of use. It's available in two body styles, three configurations and eight sizes. The system's capability for pendant or pedestal mounting, with or without a keyboard provision, offers exceptional design flexibility. Extruded aluminum top and sides provide a quality look while offering superior heat dissipation. Hinged body models provide extra depth and allow rear access. The single- and dual-tilt mechanisms give the operator control over adjustment and ergonomic positioning of the enclosure and/or keyboard, depending on configuration. The tilt mechanisms are the only additional components required for mounting the enclosure on a pedestal and for adding a keyboard compartment with either pedestal or pendant mounting.



**CC4000, TYPE 12**

**INDUSTRY STANDARDS**

 UL 508A Listed; Type 12; File No. E61997  
 cUL Listed per CSA C22.2 No. 94; Type 12; File No. E61997

 NEMA/EEMAC Type 12  
 IEC 60529, IP55  
 DIN 40050

**APPLICATION**

Choose from various body styles, configurations and mounting options. The keyboard and/or enclosure tilts to be ergonomic and comfortable.

**CC4000 Enclosures**

All body sizes and styles are available for pendant or pedestal mounting with or without a keyboard. Hinged and solid bodies are available in the sizes shown in the table. Hinged bodies offer extra depth and rear access. Rear aluminum screw cover is standard.

**Pendant-Mount Enclosures**

Use in pendant-mounting applications where keyboard compartment is not required. Cutout in top for mounting with pendant arm.

**Pendant-Mount Enclosures with Keyboard Compartment Capability**

Use in pendant-mounting applications where a keyboard compartment is required.

- Cutout in top for mounting with pendant arm
- Cutout on bottom for keyboard tilt mechanism
- Order tilt mechanism and keyboard compartment separately

**Pedestal-Mount Enclosure**
**Standard Product Pendant Mount Enclosures**

Catalog Number	AxBxC mm	AxBxC in.	Body Style	Usable Area D x E (mm)	Usable Area D x E (in.)	F (mm)	F (in.)	Product Weight (lb.)
CCC284014PN	280 x 400 x 140	11.02 x 15.75 x 5.51	Solid	185 x 275	7.28 x 10.83	—	—	16.4
CCC334014PN	330 x 400 x 140	12.99 x 15.75 x 5.51	Solid	235 x 275	9.25 x 10.83	—	—	17.5
CCC456029PN	450 x 600 x 290	17.72 x 23.62 x 11.42	Solid	355 x 475	13.98 x 18.70	—	—	44.0
CCC334026HPN	330 x 400 x 268	12.99 x 15.75 x 10.55	Hinged	235 x 275	9.25 x 10.83	128	5.04	30.0
CCC425326HPN	425 x 530 x 268	16.73 x 20.87 x 10.55	Hinged	330 x 405	12.99 x 15.94	128	5.04	41.0

Use in pedestal mounting applications with the CPCC4 Pedestal, either with or without a keyboard.

- Tilt mechanism required for connecting enclosure and pedestal
- Cutout on bottom for tilt mechanism mounting
- Order tilt mechanism and keyboard compartment (if needed) separately

**SPECIFICATIONS**

- Extruded Type 6063 aluminum top and sides provide a quality appearance and internal flexibility
- Body is available hinged or solid
- Optional rear covers can be hinged on either the right or left side
- Integral mounting system has extruded screw channels to facilitate easy component installation
- Each size is designed to accommodate a range of flat-screen HMI devices
- Oil-resistant gasket attached with oil-resistant adhesive
- High thermal conductivity for superior heat dissipation

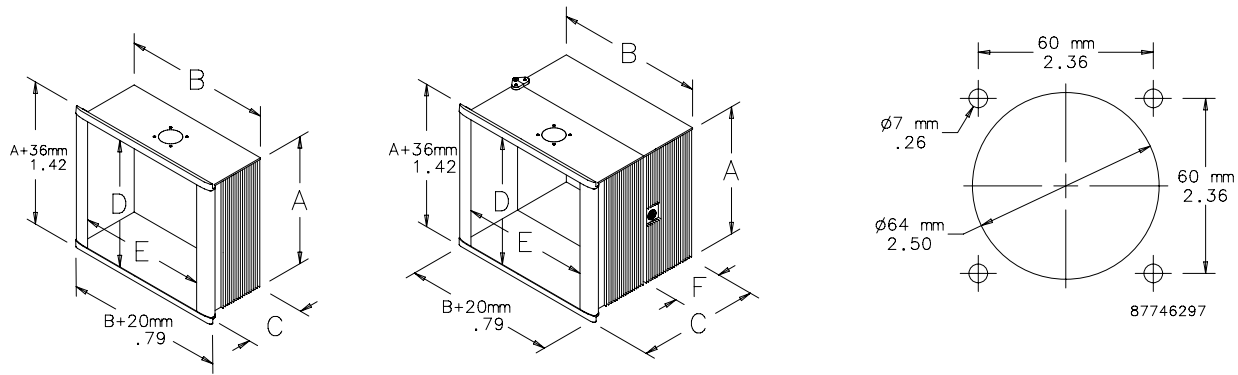
**FINISH**

Enclosure vertical components are clear anodized aluminum; horizontal components are painted RAL 7021 black aluminum. Steel front plates have RAL 7035 gray polyester powder paint finish. Stainless steel front plates have a brushed finish. Aluminum rear covers have a clear anodized brushed finish.

**ACCESSORIES**

See the *Accessories*.  
 Keyboard Compartment  
 Lift-Off Hinge Kit  
 Pedestal  
 Hinged Rear Cover  
 Tilt Mechanism

**BULLETIN: CC4**

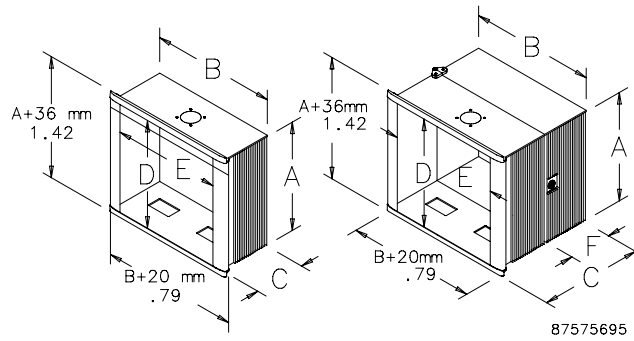


Standard Product **Pendant Mount Enclosures with Keyboard Compartment Capability**

Catalog Number	AxBxC mm	AxBxC in.	Body Style	Usable Area D x E (mm)	Usable Area D x E (in.)	F (mm)	F (in.)	Tilt Mechanism	Product Weight (lb.)
CCC284014PNK	280 x 400 x 140	11.02 x 15.75 x 5.51	Solid	185 x 275	7.28 x 10.83	—	—	CTKBC	16.4
CCC456029PNK	450 x 600 x 290	17.72 x 23.62 x 11.42	Solid	355 x 475	13.98 x 18.70	—	—	CTKBC	44.0
CCC334026HPNK	330 x 400 x 268	12.99 x 15.75 x 10.55	Hinged	235 x 275	9.25 x 10.83	128	5.04	CTKBC	30.0
CCC425326HPNK	425 x 530 x 268	16.73 x 20.87 x 10.55	Hinged	330 x 405	12.99 x 15.94	128	5.04	CTKBC	41.0

Solid Enclosure

Hinged Enclosure

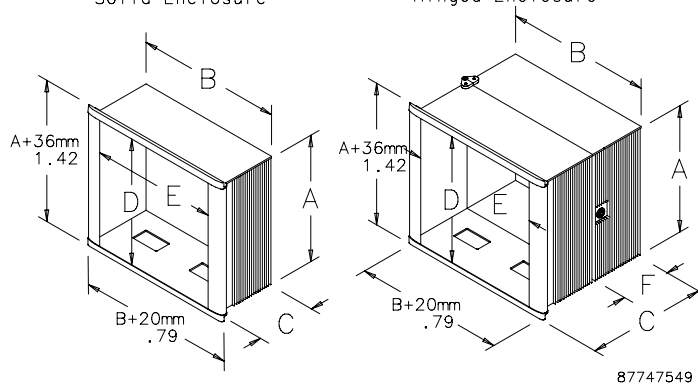


Standard Product **Pedestal Mount Enclosures**

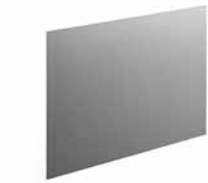
Catalog Number	AxBxC mm	AxBxC in.	Body Style	D x E (mm)	D x E (in.)	F (mm)	F (in.)	Tilt Mechanism Without Keyboard	Tilt Mechanism With Keyboard	Weight (lb.)
CCC284014PD	280 x 400 x 140	11.02 x 15.75 x 5.51	Solid	185 x 275	7.28 x 10.83	—	—	CTKBC	CTKBCP	16.4
CCC334014PD	330 x 400 x 140	12.99 x 15.75 x 5.51	Solid	235 x 275	9.25 x 10.83	—	—	CTKBC	CTKBCP	17.5
CCC456029PD	450 x 600 x 290	17.72 x 23.62 x 11.41	Solid	355 x 475	13.98 x 18.70	—	—	CTKBC	CTKBCP	44.0
CCC334026HPD	330 x 400 x 268	12.99 x 15.75 x 10.55	Hinged	235 x 275	9.25 x 10.83	128	5.04	CTKBC	CTKBCP	30.0
CCC425326HPD	425 x 530 x 268	16.73 x 20.87 x 10.55	Hinged	330 x 405	12.99 x 15.94	128	5.04	CTKBC	CTKBCP	41.0

Solid Enclosure

Hinged Enclosure



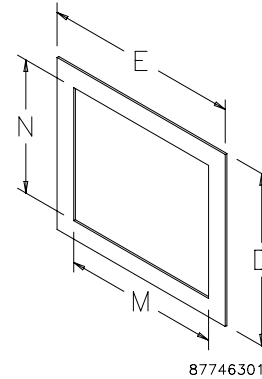
## FRONT PLATE



Front Plates are 14 gauge steel with RAL 7035 light-gray polyester powder paint finish. Stainless steel front plates have a brushed finish.

Hoffman can provide pre-configured front plates to meet your specific requirements. Contact your local Hoffman Sales Representative for more information.

BULLETIN: CC4



87746301

### Standard Product **CC4000 Front Plate**

Catalog Number	Steel Type	Panel Size D x E (mm)	Panel Size D x E (in.)	Usable Area N x M (mm)	Usable Area N x M (in.)	Fits Enclosure (mm)	Fits Enclosure (in.)	Product Weight (lb.)
C4FP2840	Steel	219 x 309	8.62 x 12.17	185 x 275	7.28 x 10.83	280 x 400 x 140/200	11.02 x 15.75 x 5.51/7.87	3.5
C4FP2840SS	Stainless Steel	219 x 309	8.62 x 12.17	185 x 275	7.28 x 10.83	280 x 400 x 140/200	11.02 x 15.75 x 5.51/7.87	4.0
C4FP3340	Steel	269 x 309	10.59 x 12.17	235 x 275	9.25 x 10.83	330 x 400 x 140/200/268	12.99 x 15.75 x 5.51/7.87/10.55	4.0
C4FP4253	Steel	364 x 439	14.33 x 17.28	330 x 405	12.99 x 15.94	425 x 530 x 200	16.73 x 20.87 x 7.87	6.5
C4FP4253SS	Stainless Steel	364 x 439	14.33 x 17.28	330 x 405	12.99 x 15.94	425 x 530 x 200	16.73 x 20.87 x 7.87	7.5
C4FP4560	Steel	389 x 509	15.31 x 20.04	355 x 475	13.98 x 18.70	450 x 600 x 290	17.72 x 23.62 x 11.42	8.0
C4FP4560SS	Stainless Steel	389 x 509	15.31 x 20.04	355 x 475	13.98 x 18.70	450 x 600 x 290	17.72 x 23.62 x 11.42	9.0

### Standard Product **CC4000 Precut Front Plate**

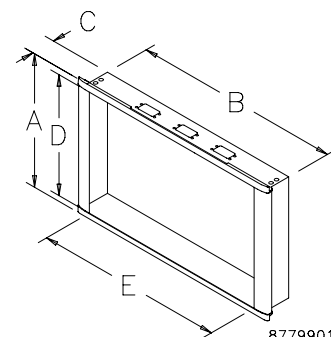
Catalog Number	Steel Type	Manufacturer	Model	Panel Size D x E (mm)	Panel Size D x E (in.)	Fits Enclosure (mm)	Fits Enclosure (in.)	Product Weight (lbs)
C4CSK2840F2SS	Stainless Steel	Allen-Bradley	PanelView 550	219 x 309	8.62 x 12.17	280 x 400 x 140/200	11.02 x 15.75 x 5.51/7.87	4.0
C4CSK2840F3SS	Stainless Steel	Allen-Bradley	PanelView 550/600TS	219 x 309	8.62 x 12.17	280 x 400 x 140/200	11.02 x 15.75 x 5.51/7.87	4.0
C4CSK3340F1SS	Stainless Steel	Eaton Cutler-Hammer	PanelMate 1500	269 x 309	10.59 x 12.17	330 x 400 x 140/200/268	12.99 x 15.75 x 5.51/7.87/10.55	4.4
C4CSK3340F2SS	Stainless Steel	TCP	Quickpanel Mono EL	269 x 309	10.59 x 12.17	330 x 400 x 140/200/268	12.99 x 15.75 x 5.51/7.87/10.55	4.4
C4CSK3340F4SS	Stainless Steel	Allen-Bradley	PanelView 550KP	269 x 309	10.59 x 12.17	330 x 400 x 140/200/268	12.99 x 15.75 x 5.51/7.87/10.55	4.4
C4CSK3340F5SS	Stainless Steel	Allen-Bradley	PanelView 550/600TS	269 x 309	10.59 x 12.17	330 x 400 x 140/200/268	12.99 x 15.75 x 5.51/7.87/10.55	4.0
C4CSK4253F1SS	Stainless Steel	Eaton Cutler-Hammer	PanelMate 3000 TP	364 x 439	14.33 x 17.28	425 x 530 x 200/268	16.73 x 20.87 x 7.87/10.55	7.5
C4CSK4253F2SS	Stainless Steel	Eaton Cutler-Hammer	PanelMate 3000 TS	364 x 439	14.33 x 17.28	425 x 530 x 200/268	16.73 x 20.87 x 7.87/10.55	7.5
C4CSK4253F4SS	Stainless Steel	Ann Arbor	INX	364 x 439	14.33 x 17.28	425 x 530 x 200/268	16.73 x 20.87 x 7.87/10.55	7.5
C4CSK4253F6SS	Stainless Steel	Allen-Bradley	PanelView 900KP	364 x 439	14.33 x 17.28	425 x 530 x 200/268	16.73 x 20.87 x 7.87/10.55	7.5
C4CSK4253F7	Steel	Allen-Bradley	PanelView 1000TS	364 x 439	14.33 x 17.28	425 x 530 x 200/268	16.73 x 20.87 x 7.87/10.55	6.5

## KEYBOARD COMPARTMENT



Keyboard Compartment has same construction and finish as enclosure bodies. Fits pendant-mount bodies when used with the CTKBC Single Tilt; fits pedestal-mount bodies when used with the CTKBCP Dual Tilt Mechanism.

BULLETIN: CC4



87799017

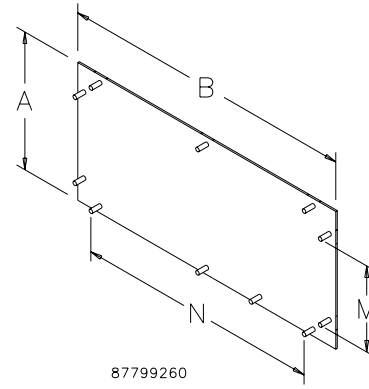
Catalog Number	AxBxC in./mm	Opening Size D x E mm/in.	Product Weight (lb.)
CKBC26535	11.81 x 19.68 x 2.08 300 x 500 x 52	190 x 427 7.48 x 16.81	11.4
CKBC26605	11.81 x 22.44 x 2.05 300 x 570 x 52	190 x 495 7.48 x 19.49	12.0

### KEYBOARD FRONT PLATE



Plate is 14 gauge steel finished with RAL 7035 light-gray textured polyester powder paint or Type 304 stainless steel with a brushed finish. Available blank or with TIP NEMA 4 Keyboard. Includes mounting hardware.

BULLETIN: CC4



Catalog Number	Description	Size A x B (mm)	Size A x B (in.)	Usable Area M x N (mm)	Usable Area M x N (in.)	Fits Keyboard Compartment	Product Weight (lb.)
C4KBFP2653	Blank Steel	203 x 439	7.99 x 17.28	169 x 405	6.65 x 15.94	264 x 530	3.7
C4KBKP2653	With Keyboard Steel	203 x 439	7.99 x 17.28	169 x 405	6.65 x 15.94	264 x 530	5.7
C4KBFP2660	Blank Steel	203 x 509	7.99 x 20.04	169 x 475	6.65 x 18.70	264 x 600	4.1
C4KBKP2660	With Keyboard Steel	203 x 509	7.99 x 20.04	169 x 475	6.65 x 18.70	264 x 600	6.1

### TILT MECHANISM



Allows operator to adjust enclosure and keyboard for maximum convenience and comfort. Cast aluminum construction. RAL 7035 light-gray polyester powder paint finish.

Single tilt connects enclosure with keyboard in pendant-mount applications or enclosure with pedestal in floor-mount applications.

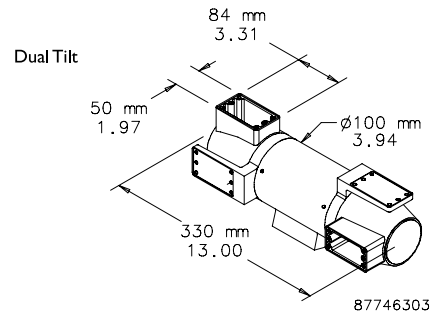
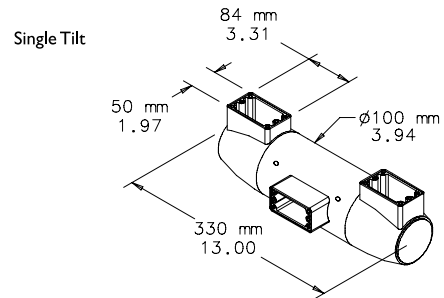
- Allows 20 degrees maximum enclosure tilt back when pedestal mounted
- Allows keyboard to adjust from horizontal to 45 degrees down when pendant mounted

Dual tilt connects pedestal, enclosure and keyboard.

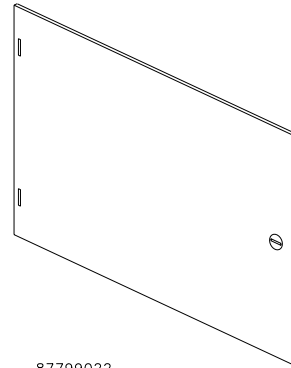
- Allows 20 degrees maximum enclosure tilt back
- Allows keyboard to adjust infinitely between enclosure and pedestal

BULLETIN: CC4

Catalog Number	Type	Use With	Product Weight (lb.)
CTKBC	Single	Pendant mount with keyboard, Pedestal mount without keyboard	5.8
CTKBCP	Dual	Pedestal mount with keyboard	6.6



**HINGED REAR COVER**



87799022

Mount rear covers with hinge on left or right side of enclosure. One or two quarter-turn latches, depending on size. Made of 3-mm-thick aluminum with a clear anodized brushed finish. Mounting hardware and grounding kit included.

**BULLETIN: CC4**

Catalog Number	Number of Latches	Fits Enclosure mm/in.	Product Weight (lb.)
CCH2840	One	280 x 400	2.2
CCH3340	One	330 x 400	2.6
CCH4253	Two	425 x 530	4.3
CCH4560	Two	450 x 600	5.0

**LIFT-OFF HINGE KIT**



Use when quick removal of the rear section of a hinged enclosure is desired. Contains one set of hinges to convert the hinges on the enclosure to a lift-off configuration.

**BULLETIN: CC4**

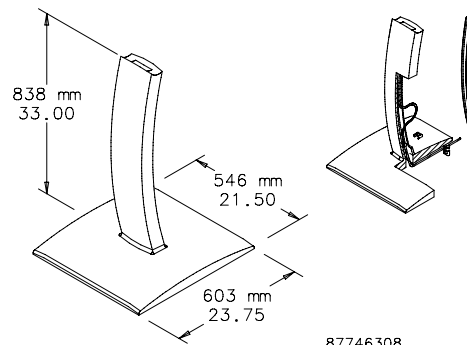
Catalog Number	Description	Product Weight (lb.)
CHLOCC4	Lift-off Hinge Kit	0.2

**PEDESTAL**



Pedestal can be bolted to the floor or mounted on accessory swivel casters. Center channel is 2 x 3 in. with rear access strip for routing wires. Requires single or dual tilt for enclosure mounting. Finished with RAL 7035 light-gray polyester powder paint.

**BULLETIN: CC4**



87746308

Catalog Number	Description
CPCC4	Two-piece cast aluminum

**BOLT-DOWN KIT**



Use Bolt-Down Kit to securely mount pedestal to the floor. Kit includes four brackets and mounting hardware.

**BULLETIN: CC4**

Catalog Number	Description
CPBDK	Bolt Down Kit

**SWIVEL CASTERS FOR PEDESTAL BASE**



Castors mount to the bottom of a pedestal base. Kit includes four casters and mounting hardware.

**BULLETIN: CC4**

Catalog Number	Description	Installed Height (mm)	Installed Height (in.)	Wheel Dia. (mm)	Wheel Dia. (in.)	Load Rating Per Set (kg)	Load Rating Per Set (lb.)
CPCC4SC	Four swivel casters	100	3.9	75	3.0	180	400

**LEVELERS FOR PEDESTAL BASE**



Mount levelers to the bottom of a pedestal base where leveling is required. Kit contains four levelers and mounting hardware. Cannot be used with casters or in bolt-down installations.

**BULLETIN: CC4**

Catalog Number	Description
CPCC4L	Four levelers for pedestal base