

**PHARMAPRO™, TYPE 4X**

**INDUSTRY STANDARDS**

UL 508A Listed; Type 4, 4X, 12, 13; File No. E61997  
 cUL Listed per CSA C22.2 No 94; Type 4, 4X, 12, 13; File No. E61997

NEMA/EEMAC Type 4, 4X, 12, 13  
 IEC 60529, IP66

**APPLICATION**

PHARMAPRO™ Enclosures are specifically designed for the pharmaceutical industry with flush mounting and a low RA value finish that minimizes surface crevices for thorough wipe-downs and eliminates areas where contaminants can accumulate. The mounting system pulls the enclosure flush and tight to the wall and can be used on block or stud walls.

**FEATURES**

- Specifically designed for pharmaceutical industry—flush mounting and flat surfaces eliminate areas where contaminants can accumulate
- Low RA value of PHARMAPRO finish minimizes surface crevices, allowing for a thorough wipe-down
- Enclosure does not protrude into the manufacturing area
- Mounting system included

**SPECIFICATIONS**

- Enclosure body manufactured from 14 gauge Type 304 stainless steel
- Mounting flange manufactured from 10 gauge Type 316L stainless steel
- Screw cover and hinged door manufactured from 12 gauge Type 316L stainless steel
- Seams continuously welded and ground smooth
- Type 316L stainless steel lift-off hinges used with hinged door
- Type 316L stainless steel slotted oval-head fasteners used with screw cover
- Stainless steel quarter-turn latches used with hinged door
- FDA-approved silicone gasket
- Grounding stud on body; bonding provision on cover or door

**FINISH**

PHARMAPRO low RA finish (typically 15-20 RA) applied to cover, door and mounting flange

**ACCESSORIES**

*See also Accessories.*  
 Industrial Corrosion Inhibitors  
 CONCEPT™ Panels

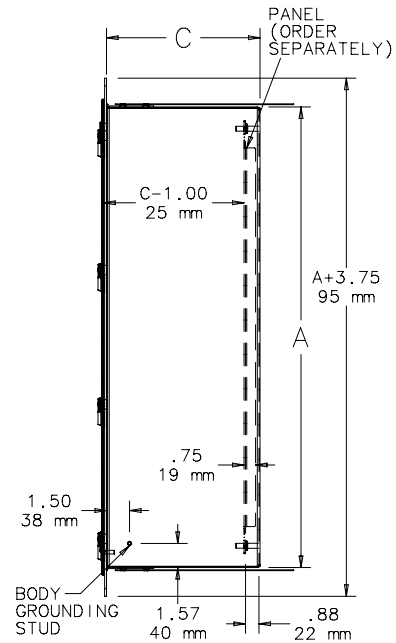
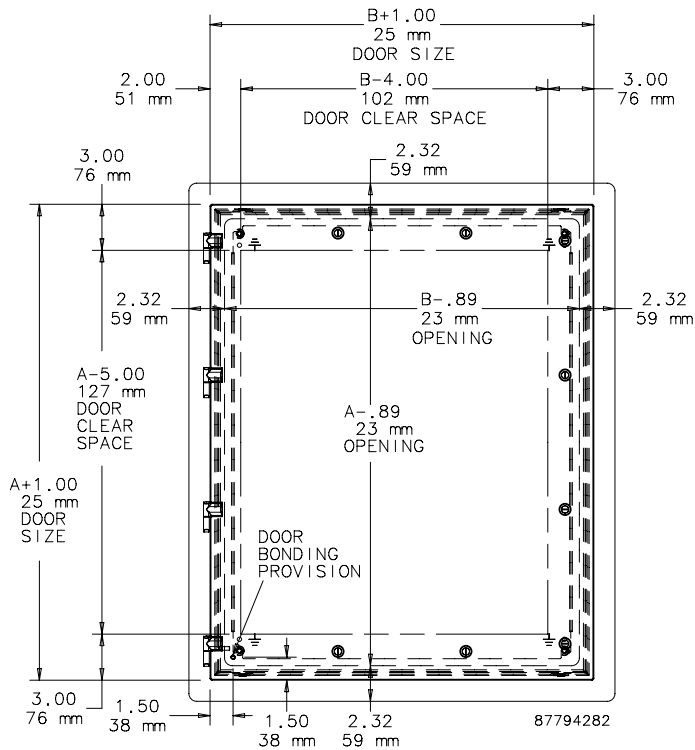
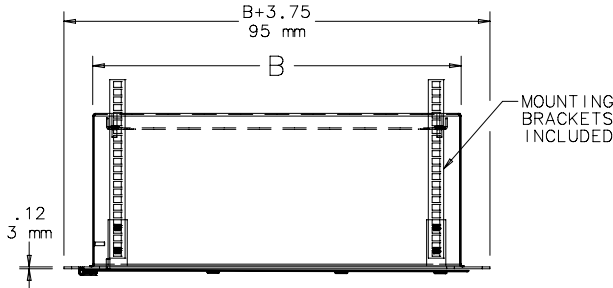
**MODIFICATION AND CUSTOMIZATION**

Hoffman excels at modifying and customizing products to your specifications. Contact your local Hoffman sales office or distributor for complete information.

**BULLETIN: A20S**

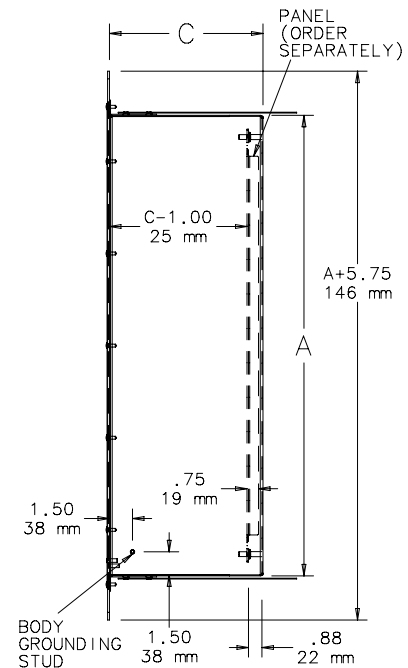
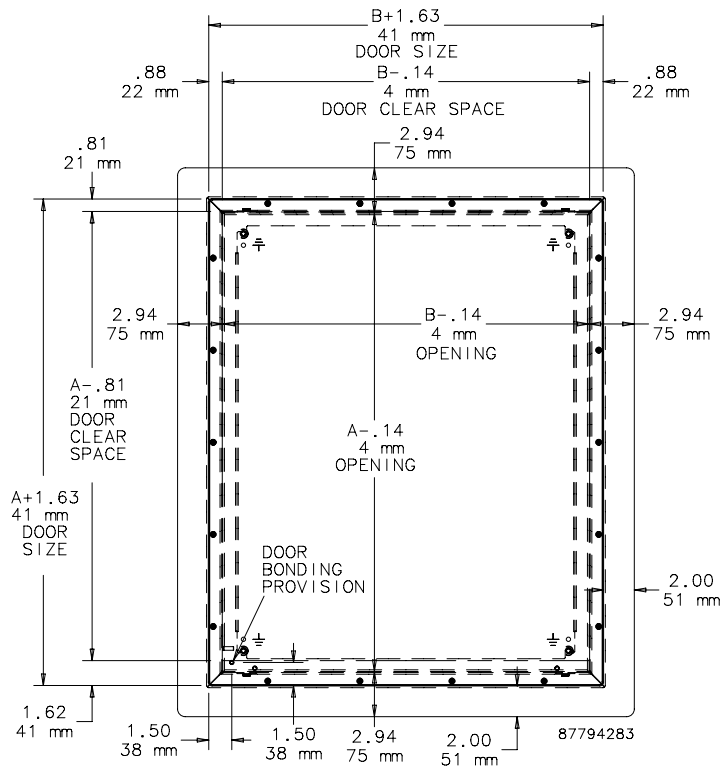
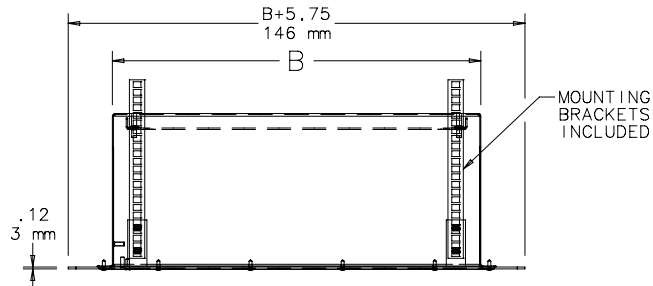
Standard Product **Hinged-Door**

Catalog Number	AxBxC in./mm	Door Gauge	Body Gauge	Size of Mounting Cutout in./mm	Panel	Latches Qty.
AFM20144SS	20.00 x 14.00 x 4.00 508 x 356 x 102	12	14	21.00 x 15.00 533 x 381	CP2014	3
AFM20204SS	20.00 x 20.00 x 4.00 508 x 508 x 102	12	14	21.00 x 21.00 533 x 533	CP2020	5
AFM12126SS	12.00 x 12.00 x 6.00 305 x 305 x 152	12	14	13.00 x 13.00 330 x 330	CP1212	2
AFM16126SS	16.00 x 12.00 x 6.00 406 x 305 x 152	12	14	17.00 x 13.00 432 x 330	CP1612	3
AFM20166SS	20.00 x 16.00 x 6.00 508 x 406 x 152	12	14	21.00 x 17.00 533 x 432	CP2016	5
AFM20206SS	20.00 x 20.00 x 6.00 508 x 508 x 152	12	14	21.00 x 21.00 533 x 533	CP2020	5
AFM24206SS	24.00 x 20.00 x 6.00 610 x 508 x 152	12	14	25.00 x 21.00 635 x 533	CP2420	5
AFM24248SS	24.00 x 24.00 x 8.00 610 x 610 x 203	12	14	25.00 x 25.00 635 x 635	CP2424	7
AFM30248SS	30.00 x 24.00 x 8.00 762 x 610 x 203	12	14	21.00 x 25.00 533 x 635	CP3024	8
AFM242010SS	24.00 x 20.00 x 10.00 610 x 508 x 254	12	14	25.00 x 21 635 x 533	CP2420	5
AFM302410SS	30.00 x 24.00 x 10.00 762 x 610 x 254	12	14	31.00 x 25.00 787 x 635	CP3024	8

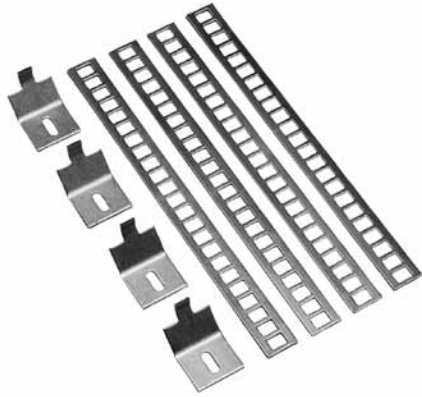


Standard Product **Screw-Cover**

Catalog Number	AxBxC in./mm	Door Gauge	Body Gauge	Size of Mounting Cutout in./mm	Panel	Latches Qty.
AFMSC20124SS	20.00 x 12.00 x 4.00 508 x 305 x 102	12	14	22.50 x 14.25 565 x 362	CP2012	NA
AFMSC20204SS	20.00 x 20.00 x 4.00 508 x 508 x 102	12	14	22.25 x 22.25 565 x 565	CP2020	NA
AFMSC12126SS	12.00 x 12.00 x 6.00 305 x 305 x 152	12	14	14.25 x 14.25 362 x 362	CP1212	NA
AFMSC16126SS	16.00 x 12.00 x 6.00 406 x 305 x 152	12	14	18.25 x 14.25 464 x 362	CP1612	NA
AFMSC20166SS	20.00 x 16.00 x 6.00 508 x 406 x 152	12	14	22.25 x 18.25 565 x 464	CP2016	NA
AFMSC20206SS	20.00 x 20.00 x 6.00 508 x 508 x 152	12	14	22.25 x 22.25 565 x 565	CP2020	NA
AFMSC24206SS	24.00 x 20.00 x 6.00 610 x 508 x 152	12	14	26.25 x 22.25 667 x 565	CP2420	NA
AFMSC24248SS	24.00 x 24.00 x 8.00 610 x 610 x 203	12	14	26.25 x 26.25 667 x 667	CP2424	NA
AFMSC30248SS	30.00 x 24.00 x 8.00 762 x 610 x 203	12	14	32.25 x 26.25 819 x 667	CP3024	NA
AFMSC242010SS	24.00 x 20.00 x 10.00 610 x 508 x 254	12	14	26.25 x 22.25 667 x 565	CP2420	NA
AFMSC302410SS	30.00 x 24.00 x 10.00 762 x 610 x 254	12	14	32.25 x 26.25 819 x 667	C3024	NA



**MOUNTING SYSTEM**



Adjustable-depth mounting system is included with each enclosure. Mounting system can be used on either block or stud walls.

