

FREE-STAND WITH 3-POINT LATCH, TYPE 4

INDUSTRY STANDARDS

 UL 508A Listed; Type 4, 12; File No. E61997
 cUL Listed per CSA C22.2 No. 94; Type 4, 12; File No. E61997

 NEMA Type 3, 4, 12, 13
 E.I.A. RS310D
 IEC 60529, IP66

Standard Product

| Catalog Number | AxBxC in./mm | Rack Units |
|----------------|---|------------|
| A72H2518FS3PT | 72.06 x 25.06 x 18.06 1830 x 637 x 459 | 35 |
| A72H3124FS3PT | 72.06 x 31.06 x 24.06 1830 x 789 x 611 | 35 |
| A72H3724FS3PT | 72.06 x 37.06 x 24.06 1830 x 941 x 611 | 35 |

APPLICATION

These enclosures are ideal for mounting equipment on panels or racks in indoor or outdoor applications where it is necessary to protect controls and instrumentation from wet, non-corrosive environments. The design features Hoffman's exclusive POWERGLIDE™ Handle with 3-point latching for secure closure.

FEATURES

- 3-point latch for security and ease of use
- Mounting channels accommodate panel or rack-mount equipment
- Panels and rack mount angles can be mounted anywhere along channels
- Rolled flange around door opening excludes liquids and contaminants
- Lifting eyes for easy handling

SPECIFICATIONS

- 12 gauge steel
- 3-point latch system with POWERGLIDE® handle
- Seams continuously welded and ground smooth; no holes or knockouts
- Mounting channels welded horizontally to interior body sides at top, bottom and center
- Heavy-gauge continuous hinge with stainless steel hinge pin
- Data pocket is high-impact thermoplastic
- Lifting eyes
- Oil-resistant door gasket
- Bonding provision on door
- Provision for mounting fluorescent light

FINISH

ANSI 61 gray polyester powder paint inside and out over pretreated surfaces. Optional panels have either a white or a conductive finish.

ACCESSORIES

See also Accessories.

Drawers

INTERSAFE™ Data Interface Ports, Type 4/4X/12

PANELITE™ Enclosure Lights Overview

Pull-Out Shelves

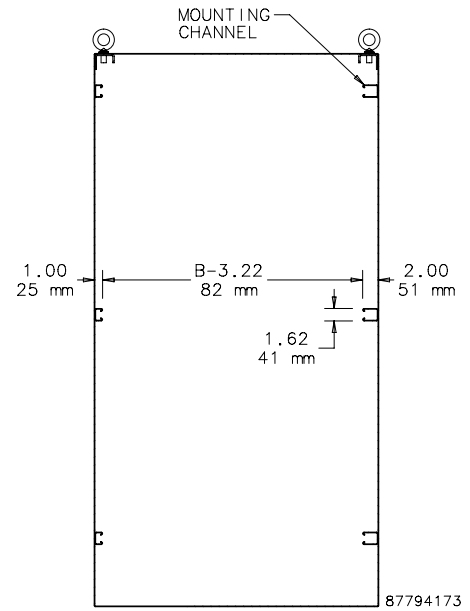
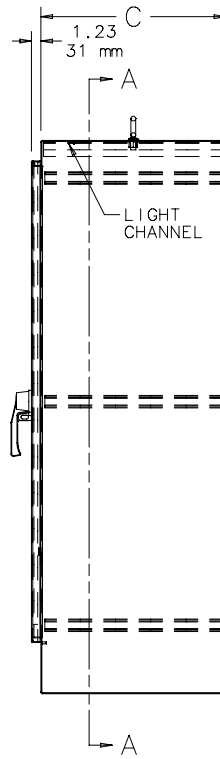
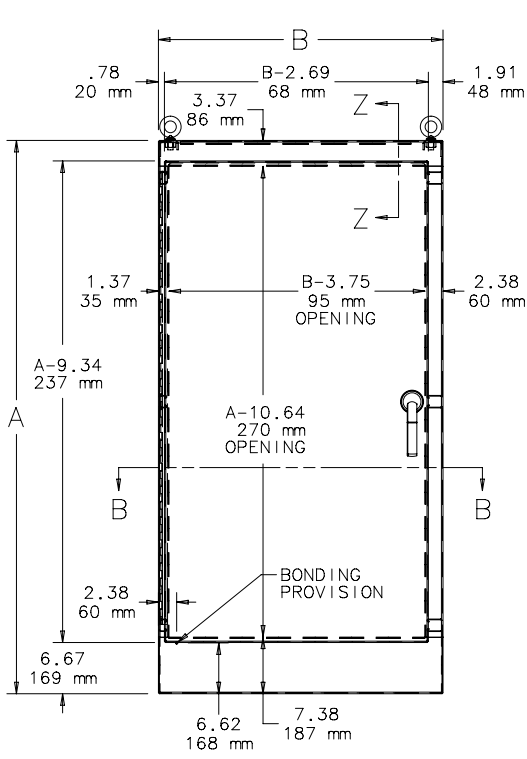
Rack Mounting Angles - U Style (Type RA)

Swing-Out Panels for Free-Stand Type 4, 4X and 12 Enclosures with Mounting Channel

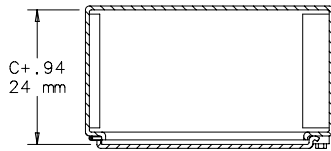
MODIFICATION AND CUSTOMIZATION

Hoffman excels at modifying and customizing products to your specifications. Contact your local Hoffman sales office or distributor for complete information.

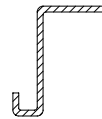
BULLETIN: A4L3



SECTION A-A



SECTION B-B



SECTION Z-Z