

FREE-STAND, TYPE 4

INDUSTRY STANDARDS

 UL 508A Listed; Type 4, 12; File No. E61997
 cUL Listed per CSA C22.2 No. 94; Type 4, 12; File No. E61997

 NEMA Type 3, 4, 12, 13
 CSA, File No. 42186, Type 4, 12
 E.I.A. RS310D
 IEC 60529, IP66

APPLICATION

These enclosures are ideal for mounting equipment on panels or racks in indoor or outdoor applications where it is necessary to protect controls and instrumentation from wet, non-corrosive environments.

SPECIFICATIONS

- 12 gauge steel
- Seams continuously welded and ground smooth; no holes or knockouts
- Internal mounting channels welded horizontally at top, bottom and center
- Panels and rack-mounting angles can be mounted anywhere along channels
- Return flange around three sides of door and along enclosure opening excludes liquids and contaminants
- Stainless steel door clamps assure water-tight seal
- Hasp and staple provided for padlocking
- Data pocket is high-impact thermoplastic
- Lifting eyes for easy handling
- Oil-resistant door gasket
- Bonding provision on door
- Provision for mounting fluorescent light

FINISH

ANSI 61 gray polyester powder paint inside and out over pretreated surfaces. Optional panels have white or conductive finish.

ACCESSORIES

See also *Accessories*.
 Industrial Corrosion Inhibitors
 PANELITE™ Enclosure Lights Overview
 Panel Support Kit
 Rack Mounting Angles - U Style (Type RA)
 Rack Panels

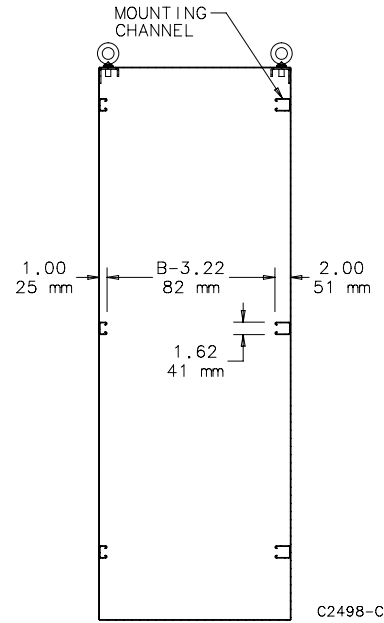
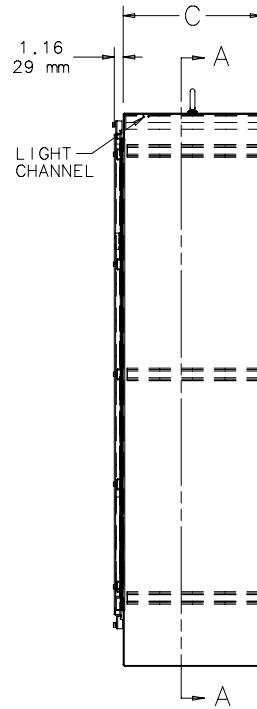
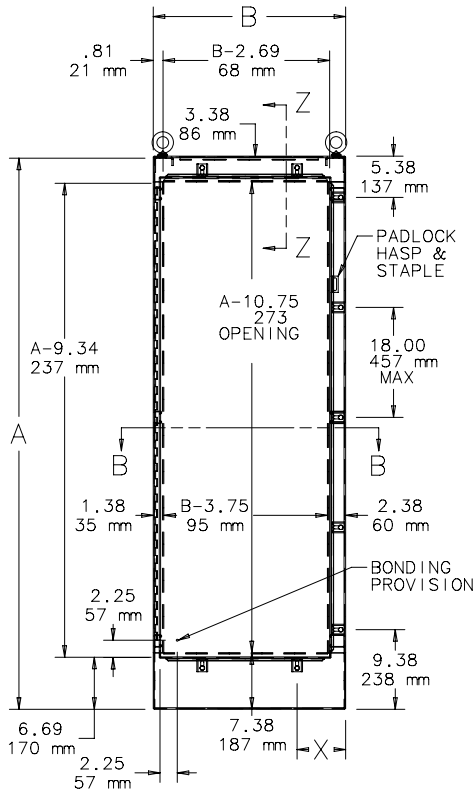
MODIFICATION AND CUSTOMIZATION

Hoffman excels at modifying and customizing products to your specifications. Contact your local Hoffman sales office or distributor for complete information.

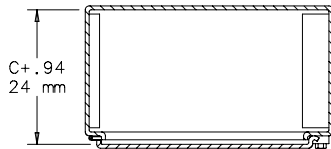
BULLETIN: A4L

Standard Product

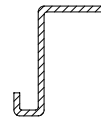
| Catalog Number | AxBxC in./mm | X in./mm | Number of Rack Units |
|----------------|---|--------------|----------------------|
| A72H2518FS | 72.06 x 25.06 x 18.06 1830 x 637 x 459 | 6.38 162 | 35 |
| A72H3124FS | 72.06 x 31.06 x 24.06 1830 x 789 x 611 | 8.38 213 | 35 |
| A72H3724FS | 72.06 x 37.06 x 24.06 1830 x 941 x 611 | 10.38 264 | 35 |



SECTION A-A



SECTION B-B



SECTION Z-Z

C2498-C

FREE-STAND TYPE 4 ACCESSORIES

BULLETIN: A80, D10, PNL30, PNLFS

Panels

| Catalog Number | Description | Panel Size (in.) | Panel Size (mm) | Use With |
|----------------|------------------------|------------------|-----------------|-------------------------|
| A60P24F1 | Full Panel, Mild Steel | 48.00 x 20.00 | 1219 x 508 | A72H2518FS ³ |
| A60P24F1G | Full Panel, Conductive | 48.00 x 20.00 | 1219 x 508 | A72H2518FS ³ |
| A60P24F2 | Half Panel, Mild Steel | 24.88 x 20.00 | 632 x 508 | A72H2518FS ³ |
| A60P24F2G | Half Panel, Conductive | 24.88 x 20.00 | 632 x 508 | A72H2518FS ³ |
| A72P24F1 | Full Panel, Mild Steel | 60.00 x 20.00 | 1524 x 508 | A72H2518FS |
| A72P24F1G | Full Panel, Conductive | 60.00 x 20.00 | 1524 x 508 | A72H2518FS |
| A72P24F2 | Half Panel, Mild Steel | 30.88 x 20.00 | 784 x 508 | A72H2518FS |
| A72P24F2G | Half Panel, Conductive | 30.88 x 20.00 | 784 x 508 | A72H2518FS |
| A90P24F2 | Half Panel, Mild Steel | 39.88 x 20.00 | 1013 x 508 | A72H2518FS ³ |
| A90P24F2G | Half Panel, Conductive | 39.88 x 20.00 | 1013 x 508 | A72H2518FS ³ |
| A72P30F1 | Full Panel, Mild Steel | 60.00 x 26.00 | 1525 x 661 | A72H3124FS |
| A72P30F1G | Full Panel, Conductive | 60.00 x 26.00 | 1525 x 661 | A72H3124FS |
| A72P30F2 | Half Panel, Mild Steel | 30.88 x 26.00 | 784 x 660 | A72H3124FS |
| A72P30F2G | Half Panel, Conductive | 30.88 x 26.00 | 784 x 660 | A72H3124FS |
| A60P36F1 | Full Panel, Mild Steel | 48.00 x 32.00 | 1219 x 813 | A72H3724FS ³ |
| A60P36F1G | Full Panel, Conductive | 48.00 x 32.00 | 1219 x 813 | A72H3724FS ³ |
| A60P36F2 | Half Panel, Mild Steel | 24.88 x 32.00 | 632 x 813 | A72H3724FS ³ |
| A60P36F2G | Half Panel, Conductive | 24.88 x 32.00 | 632 x 813 | A72H3724FS ³ |
| A72P36F1 | Full Panel, Mild Steel | 60.00 x 32.00 | 1524 x 813 | A72H3724FS |
| A72P36F1G | Full Panel, Conductive | 60.00 x 32.00 | 1524 x 813 | A72H3724FS |
| A72P36F2 | Half Panel, Mild Steel | 30.88 x 32.00 | 784 x 813 | A72H3724FS |
| A72P36F2G | Half Panel, Conductive | 30.88 x 32.00 | 784 x 813 | A72H3724FS |
| A90P36F2 | Half Panel, Mild Steel | 39.88 x 32.00 | 1013 x 813 | A72H3724FS ³ |
| A90P36F2G | Half Panel, Conductive | 39.88 x 32.00 | 1013 x 813 | A72H3724FS ³ |

³Requires heavy duty panel support.

Swing-Out Panels

| Catalog Number | Description | Panel Size (in.) | Panel Size (mm) | Use With |
|----------------|-------------|------------------|-----------------|------------|
| A72SP24F3 | Full Panel | 60.00 x 18.81 | 1524 x 478 | A72H2518FS |
| A72SP24F4 | Half Panel | 30.88 x 18.81 | 784 x 478 | A72H2518FS |
| A72SP30F3 | Full Panel | 60.00 x 24.81 | 1524 x 630 | A72H3124FS |
| A72SP30F4 | Half Panel | 30.88 x 24.81 | 784 x 630 | A72H3124FS |
| A72SP36F3 | Full Panel | 60.00 x 30.81 | 1524 x 783 | A72H3724FS |
| A72SP36F4 | Half Panel | 30.88 x 33.81 | 784 x 859 | A72H3724FS |

Side-Mount Panels

| Catalog Number | Description | Panel Size (in.) | Panel Size (mm) | Use With |
|----------------|------------------|------------------|-----------------|------------------------------------|
| A72SMP14 | Side-Mount Panel | 60.00 x 14.00 | 1524 x 356 | A72H2518FS, A72H3124FS, A72H3724FS |
| A72SMP20 | Side-Mount Panel | 60.00 x 20.00 | 1524 x 508 | A72H3124FS, A72H3724FS |

Heavy Duty Panel Supports

| Catalog Number | Description | Length (in.) | Length (mm) | Use With |
|----------------|--------------------------------|--------------|-------------|------------------------------------|
| A72FSHDPS | Two Full-Length Panel Supports | 60.25 | 1759 | A72H2518FS, A72H3124FS, A72H3724FS |

Clamp Nuts

| Catalog Number | Description | For | Use With |
|----------------|-------------------------------|-------------|------------------------------------|
| APS1420CN | 1/4 - 20 Clamp Nut (Qty. 20) | Special Use | A72H2518FS, A72H3124FS, A72H3724FS |
| APS51618CN | 5/16 - 18 Clamp Nut (Qty. 20) | Special Use | A72H2518FS, A72H3124FS, A72H3724FS |

Casters

| Catalog Number | Description | Size | Use With |
|----------------|------------------|---------------------|------------------------------------|
| DMCKC | Set of 4 Casters | 4 high x 3 diameter | A72H2518FS, A72H3124FS, A72H3724FS |

RACK-MOUNT ACCESSORIES

BULLETIN: A80, X20

Rack-Mount Angles L-Style (Type RP) for 19- and 24-in. Equipment

| Catalog Number | Description | For Rack Size (in.) | For Rack Size (mm) | Angle Length (in.) | Angle Length (mm) | Number of Rack Units | Use With |
|----------------|------------------------|---------------------|--------------------|--------------------|-------------------|----------------------|------------|
| A60RP24F5 | Two Full-Length Angles | 19.00 | 483 | 49.00 | 1245 | 28 | A72H2518FS |
| A72RP24F5 | Two Full-Length Angles | 19.00 | 483 | 61.25 | 1556 | 35 | A72H2518FS |
| A72RP24F6 | Two Half-Length Angles | 19.00 | 483 | 31.50 | 800 | 18 | A72H2518FS |
| A72RP30F5 | Two Full-Length Angles | 24.00 | 610 | 61.25 | 1556 | 35 | A72H3124FS |
| A72RP30F6 | Two Half-Length Angles | 24.00 | 610 | 31.50 | 800 | 18 | A72H3124FS |
| A90RP24F5 | Two Half-Length Angles | 19.00 | 483 | 40.25 | 1022 | 23 | A72H2518FS |

Rack-Mount Angles U-Style (Type RA) for 19- and 24-in. Equipment

| Catalog Number | Description | For Rack Size (in.) | For Rack Size (mm) | Angle Length (in.) | Angle Length (mm) | Number of Rack Units | Use With |
|----------------|------------------------|---------------------|--------------------|--------------------|-------------------|----------------------|------------|
| A60RA19TH | Two Full-Length Angles | 19.00 | 483 | 49.00 | 1245 | 28 | A72H2518FS |
| A72RA19TH | Two Full-Length Angles | 19.00 | 483 | 61.25 | 1556 | 35 | A72H2518FS |
| A72RA24TH | Two Full-Length Angles | 24.00 | 610 | 61.25 | 1556 | 35 | A72H3124FS |

Clip Nut Package

| Catalog Number | Description | Size | Fits | Use With |
|----------------|------------------|-----------|-----------------------------|------------|
| AN1032 | Plated (Qty. 20) | #10-32 | "RA" Type Rack Mount Angles | A72H2518FS |
| ANM5 | Plated (Qty. 20) | Metric M5 | "RA" Type Rack Mount Angles | A72H3124FS |

19-in. Swing-Out Rack-Mount Frame

| Catalog Number | Description | For Rack Size (in.) | For Rack Size (mm) | Panel Space (in.) | Panel Space (mm) | Number of Rack Units | Use With |
|----------------|----------------------|---------------------|--------------------|-------------------|------------------|----------------------|------------------------------|
| A7236S0F19 | Full Swing-Out Frame | 19 | 483 | 57.99 | 1470 | 33 | A727218SSFSD A727224SSFSD |

Screw Package

| Catalog Number | Description | Size | Fits | Use With |
|----------------|-------------------------|--------------------------------|----------------------------------|------------------------------------|
| AS1032 | Nickel-plated (Qty. 20) | #10-32 x .75 Truss Head | RA and RP Type Rack-Mount Angles | A72H2518FS, A72H3124FS, A72H3724FS |
| ASM5 | Nickel-plated (Qty. 20) | Pan head combination screw, M5 | RA only | A72H2518FS, A72H3124FS, A72H3724FS |

ADDITIONAL RACK-MOUNT ACCESSORIES 

BULLETIN: P20

Writing Surface

| Catalog Number | Description | Fits Drawer | Use With ^a |
|----------------|----------------|------------------|-----------------------|
| DL29WS | Hinged Surface | DL329DR, DL729DR | A72H2518FS |

^aRequires two sets of U-style (type RA) rack-mount angles for installation.

24-in. Rack-Mount Shelves

| Catalog Number | Description | For Rack Size (in.) | For Rack Size (mm) | Number of Rack Units | Use With ^a |
|----------------|----------------|---------------------|--------------------|----------------------|-----------------------|
| DL29SHP | Pull-Out Shelf | 24.00 | 610 | 1 | A72H3124FS |
| DL29SH | Fixed Shelf | 24.00 | 610 | 1 | A72H3124FS |

One rack unit = 1.75 in. (45 mm)

^aRequires two sets of U-style (type RA) rack-mount angles for installation.

Guides for Rack-Mount Equipment

| Catalog Number | Description | Number of Rack Units | Use With ^a |
|----------------|--------------------|----------------------|-----------------------|
| AG1U6 | Chassis Guides (2) | 1 | A72H3124FS |

One rack unit = 1.75 in. (45 mm)

^aRequires two sets of U-style (type RA) rack-mount angles for installation.

19-in. Rack Panels

| Catalog Number | Description | Rack Panel Size (in.) | Rack Panel Size (mm) | Rack Units | Use With ^a |
|----------------|---------------------|-----------------------|----------------------|------------|---|
| P19RP1UA | Aluminum Rack Panel | 19.00 x 1.75 | 483 x 44 | 1 | A72H2518FS3PT, A72H3124FS3PT ^b , A72H2518FS3PT, A72H3124FS3PT ^b , A72H3724FS3PT |
| P19RP2UA | Aluminum Rack Panel | 19.00 x 3.50 | 483 x 89 | 2 | A72H2518FS3PT, A72H3124FS3PT ^b , A72H3724FS3PT |
| P19RP3UA | Aluminum Rack Panel | 19.00 x 5.25 | 483 x 133 | 3 | A72H2518FS3PT, A72H3124FS3PT ^b , A72H3724FS3PT |
| P19RP4UA | Aluminum Rack Panel | 19.00 x 7.00 | 483 x 178 | 4 | A72H2518FS3PT, A72H3124FS3PT ^b , A72H3724FS3PT |
| P19RP5UA | Aluminum Rack Panel | 19.00 x 8.75 | 483 x 222 | 5 | A72H2518FS3PT, A72H3124FS3PT ^b , A72H3724FS3PT |
| P19RP6UA | Aluminum Rack Panel | 19.00 x 10.50 | 483 x 267 | 6 | A72H2518FS3PT, A72H3124FS3PT ^b , A72H3724FS3PT |
| P19RP7UA | Aluminum Rack Panel | 19.00 x 12.25 | 483 x 311 | 7 | A72H2518FS3PT, A72H3124FS3PT ^b , A72H3724FS3PT |
| P19RP8UA | Aluminum Rack Panel | 19.00 x 14.00 | 483 x 356 | 8 | A72H2518FS3PT, A72H3124FS3PT ^b , A72H3724FS3PT |
| P19RP9UA | Aluminum Rack Panel | 19.00 x 15.75 | 483 x 400 | 9 | A72H2518FS3PT, A72H3124FS3PT ^b , A72H3724FS3PT |
| P19RP10UA | Aluminum Rack Panel | 19.00 x 17.50 | 483 x 445 | 10 | A72H2518FS3PT, A72H3124FS3PT ^b , A72H3724FS3PT |
| P19RP11UA | Aluminum Rack Panel | 19.00 x 19.25 | 483 x 489 | 11 | A72H2518FS3PT, A72H3124FS3PT ^b , A72H3724FS3PT |
| P19RP12UA | Aluminum Rack Panel | 19.00 x 21.00 | 483 x 533 | 12 | A72H2518FS3PT, A72H3124FS3PT ^b , A72H3724FS3PT |
| P24RP2UA | Aluminum Rack Panel | 24.00 x 3.50 | 610 x 89 | 2 | A72H3124FS3PT |
| P24RP3UA | Aluminum Rack Panel | 24.00 x 5.25 | 610 x 133 | 3 | A72H3124FS3PT |
| P24RP4UA | Aluminum Rack Panel | 24.00 x 7.00 | 610 x 178 | 4 | A72H3124FS3PT |
| P24RP8UA | Aluminum Rack Panel | 24.00 x 14.00 | 610 x 356 | 8 | |

One rack unit = 1.75 in. (45 mm)

^aRequires swing-out rack mounting frame.

Notes