

FREE-STAND, TYPE 12

INDUSTRY STANDARDS

UL 508A Listed; Type 12; File No. E61997
 cUL Listed per CSA C22.2 No 94; Type 12; File No. E61997

NEMA/EEMAC Type 12
 E.I.A. RS-310-D
 CSA File No. 42186: Type 12
 IEC 60529, IP55

APPLICATION

Designed to house systems incorporating large components or complex mounting configurations. Three-point latching and sealing provide industry-leading protection from dust, dirt, oil and water. These enclosures are used in machine tool applications for housing motor starters, drives, contactors and PLCs, as well as a wide variety of other electrical and electronic equipment. The addition of 19-in. rack-mounting accessories makes these enclosures ideal for providing rugged protection for sensitive rack-mounted components in harsh industrial environments. These enclosures are used extensively in automotive, pulp and paper, wood products, textile and similar industries.

SPECIFICATIONS

- 12 gauge Type 304 stainless steel
- Seams continuously welded and ground smooth; no holes or knockouts
- Stiffeners welded to back of enclosures maintain flatness and increase rigidity
- Heavy-duty lifting eyes are Type 316 stainless steel
- Plated steel 3-point latching and keylocking handle
- Latch rods have rollers for easier door closing
- Heavy-gauge continuous hinges support each door
- Data pocket, provided on door(s) with 3-point latches, is high-impact thermoplastic
- Mounting channels welded horizontally to interior body sides at top, bottom and center
- Optional panels and rack-mounting angles can be mounted anywhere along channels
- Oil-resistant door gasket attached with oil-resistant adhesive and held in place with steel retaining strips
- Bonding provision on door; grounding studs on body
- Accessory mounting channel provided in enclosure top

FINISH

Enclosures are unpainted. Cover, sides, top and bottom have smooth #4 brushed finish. Optional steel panels, swing-out panels, side-mounted panels, rack-mounting frames, heavy-duty panel supports and center panel supports are painted white. Optional full, half and side-mounted conductive panels are available.

ACCESSORIES

See also Accessories.
 Electrical Interlocks
 Floor Stand Kit, Stainless Steel
 Fluorescent Light Package
 Center Panel Supports
 Panels for Type 3R, 4, 4X, 12 and 13 Enclosures

MODIFICATION AND CUSTOMIZATION

Hoffman excels at modifying and customizing products to your specifications. Contact your local Hoffman sales office or distributor for complete information.

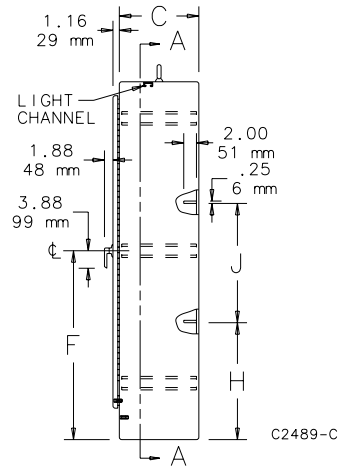
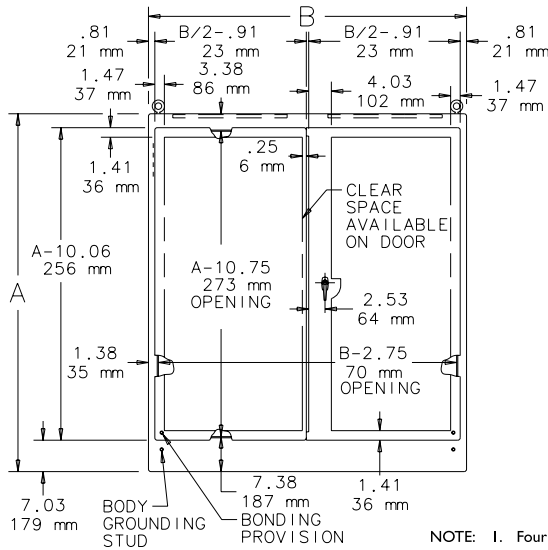
BULLETIN: A30S

Standard Product

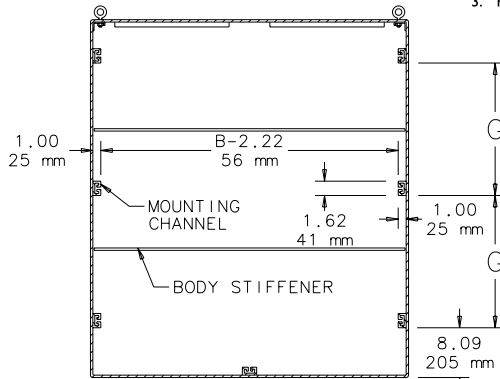
Catalog Number	AxBxC in./mm	F in./mm	G in./mm	H in./mm	J in./mm
A604818SSFSD	60.06 x 48.06 x 18.06 1526 x 1221 x 472	32.03 814	23.12 587	19.88 505	20.03 509
A724818SSFSD	72.06 x 48.06 x 18.06 1830 x 1221 x 472	38.03 966	29.12 740	23.88 607	24.03 610
A724824SSFSD	72.06 x 48.06 x 24.06 1830 x 1221 x 611	38.03 966	29.12 740	23.88 607	24.03 610
A726018SSFSD	72.06 x 60.06 x 18.06 1830 x 1526 x 472	38.03 966	29.12 740	23.88 607	24.03 610
A726024SSFSD	72.06 x 60.06 x 24.06 1830 x 1526 x 611	38.03 966	29.12 740	23.88 740	23.88 607
A726036SSFSD	72.06 x 60.06 x 36.06 1830 x 1526 x 916	38.03 966	29.12 740	23.88 607	24.03 610
A727218SSFSD	72.06 x 72.06 x 18.06 1830 x 1830 x 472	38.03 966	29.12 740	23.88 607	24.03 610
A727224SSFSD	72.06 x 72.06 x 24.06 1830 x 1830 x 611	38.03 966	29.12 740	23.88 607	24.03 610
A904820SSFSD	90.06 x 48.06 x 20.06 2288 x 1221 x 510	47.03 1195	38.12 968	29.88 759	30.03 763
A907220SSFSD	90.06 x 72.06 x 20.06 2288 x 1830 x 510	47.03 1195	38.12 968	29.88 759	30.03 763
A907224SSFSD	90.06 x 72.06 x 24.06 2288 x 1830 x 611	47.03 1195	38.12 968	29.88 759	30.03 763
A907236SSFSD	90.06 x 72.06 x 36.06 2288 x 1830 x 916	47.03 1195	38.12 968	29.88 759	30.03 763

Purchase panels and accessories separately.

Two-Door Single-Access Free-Standing Type 12 Enclosures



- NOTE:
1. Four lifting eyes are furnished if C=30.06 (764mm) or more.
 2. See General Accessories chapter for section view A-A showing accessories.
 3. Removable 12.00 x 12.00 (305mm x 305mm) data pocket.



SECTION A-A