

PREFERRED CUTOUT, DISCONNECT ENCLOSURE, TYPE 12



SPECIFICATIONS

- 14 gauge steel
- Seams continuously welded and ground smooth
- Bonding provision on door
- External mounting brackets
- External-formed flange around all sides of enclosure opening
- Removable door with continuous hinge
- Data pocket is high impact thermoplastic
- Oil-resistant gasket
- Collar studs for mounting optional panels
- Holes in body and door for mounting operating handle, operating mechanism, and door closing mechanism
- Available with or without Hoffman supplied padlocking defeater handle and latching system

FINISH

White inside with ANSI 61 gray outside finish.

ACCESSORIES

See also *Accessories*.

Blank Adapter Plates, Mild Steel

Compact Cooling Fans

PANELITE™ Enclosure Lights Overview

Panels for Type 3R, 4, 4X, 12 and 13 Enclosures

POWERGLIDE™ Defeater Handle Kit

Steel and Stainless Steel Window Kits

ORDERING

Note: Some flexible cable operating mechanisms may not work in 8-in. deep enclosures due to interference with cable control hardware on inside of flange.

Depending on model, order as follows:

PL models:

- Operating mechanism and disconnect switch or circuit breakers
- Operating handle

All other models:

- Operating mechanism and disconnect switch or circuit breakers
- Operating handle
- POWERGLIDE™ Defeater Handle Kit

—or—

- Operating mechanism and disconnect switch or circuit breakers
- Operating handle
- Door hardware

MODIFICATION AND CUSTOMIZATION

Hoffman excels at modifying and customizing products to your specifications. Contact your local Hoffman sales office or distributor for complete information.

BULLETIN: A25

INDUSTRY STANDARDS

UL 508A Listed; Type 12, 13; File No. E61997 cUL Listed per CSA C22.2 No. 94; Type 12, 13; File No. E61997

NEMA/EEMAC Type 12, 13

CSA File No. 42186: Type 12

IEC 60529, IP65

APPLICATION

These general purpose disconnect enclosures accept major brand disconnect switches and circuit breakers, available with or without the Hoffman-supplied defeater door handle and handle hardware.

FEATURES

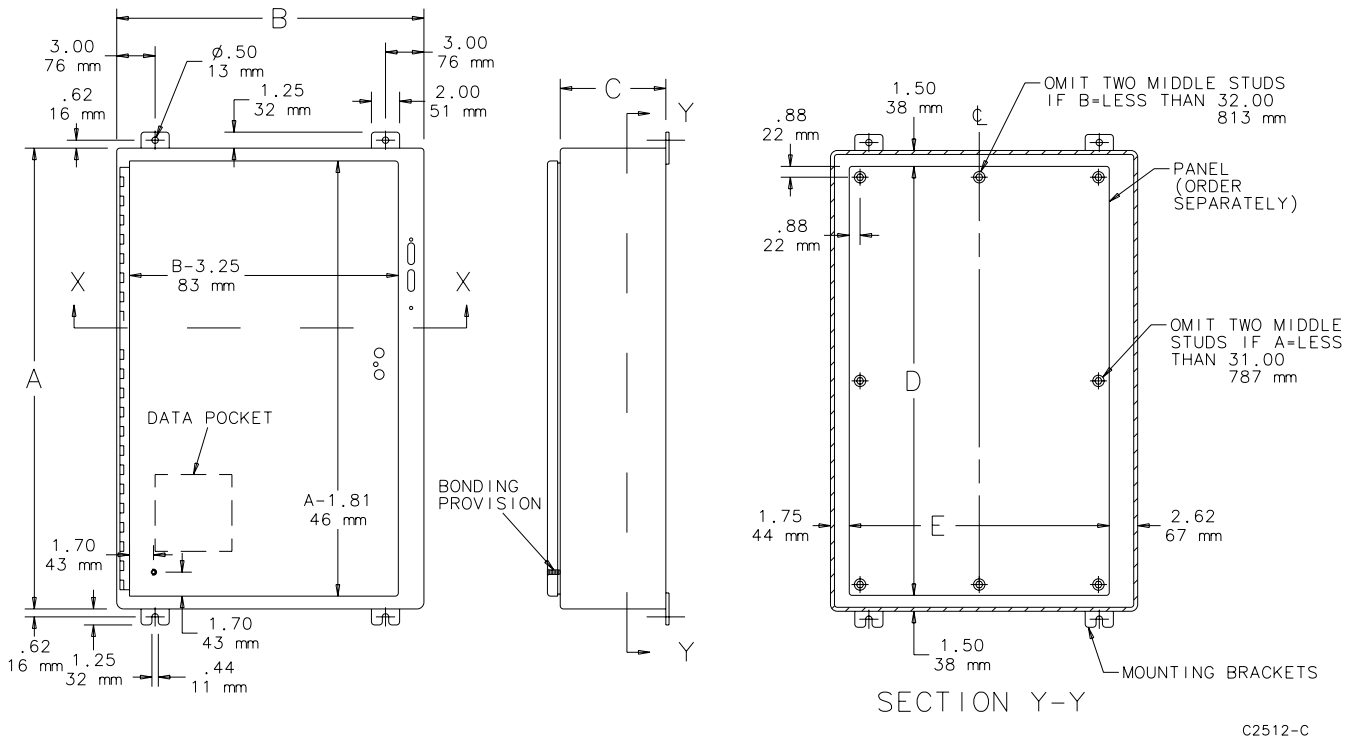
- Includes latch pivot post(s) and cover interlock bracket welded to door, cover latch bar for door, and instructions for installing disconnects
- Model numbers ending with "PL" include handle and handle latching hardware

Table 430.10(B) Minimum Wire Bending Space at the Terminals of Enclosed Motor Controllers

Size of Wire (AWG or kcmil)	Wires per Terminal 1 (mm)	Wires per Terminal 1 (in.)	Wires per Terminal 2 (mm)	Wires per Terminal 2 (in.)
14-10	Not specified	Not specified	—	—
8-6	30	1.5	—	—
4-3	50	2	—	—
2	65	2.5	—	—
1	75	3	—	—
1/0	125	5	125	5
2/0	150	6	150	6
3/0-4/0	175	7	175	7
250	200	8	200	8
300	250	10	250	10
350-500	300	12	300	12
600-700	350	14	400	16
750-900	450	18	475	19

This table is reproduced with permission from NRPA 2005-70, National Electrical Code, copyright 2005, National Fire Protection Association, Quincy, MA 02269. This reprinted material is not the complete and official position of the NFPA on the referenced subject which is represented only by the standard in its entirety.

Where provision for 3 or more wires per terminal exists, the minimum wire bending space shall be in accordance with the requirements of Article 312.



- NOTE:
1. Panels have flanges along two sides when the side dimension is more than 21.00 (533mm).
 2. Catalog number A60SA3812A24LP has a larger cutout in the enclosure flange to accommodate the Allen-Bradley 1494V-H2 and Siemens ITE FHOHN operating handles.
 3. Panels are 12 gauge steel.
 4. Enclosure with $A < 40.00$ (1016mm) require 2-point door hardware.

DISCONNECT MOUNTING SPACE

Disconnects will occupy space on panel shown by dimensions E1, F1 and G1 in Disconnect Mounting Space diagram. Wiring space W1 is available when disconnect is installed in the enclosure.

E1 = 4.75 in. (121 mm) when C = 8.00 in. (203 mm)

E1 = 7.09 in. (180 mm) when C = 10.00 in. (254 mm)

E1 = 11.62 in. (294 mm) when C = 12.00 in. (305 mm)

E1 = 11.62 in. (294 mm) when C = 16.00 in. (406 mm)

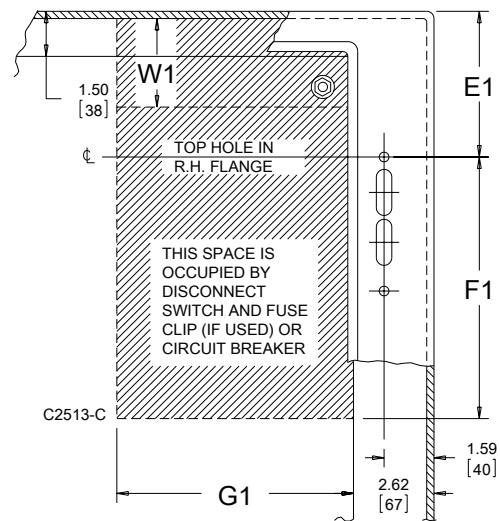
E1 = 18.38 in. (467 mm) for A60SA3812A24LP

W1 = Wiring Space.

See *Technical Information for wire bend space.*

Refer to **NATIONAL ELECTRICAL CODE 2005** article 430.10(B) for wiring space required for line side conductors to be connected to disconnect.

Verify your application to determine if wiring space is adequate.



Consult disconnect manufacturer or see Disconnect Ordering information at hoffmanonline.com under Technical Resources for F1 and G1 dimensions of various brands of disconnects.

POWERGLIDE™ DEFEATER HANDLE KIT

This clockwise defeater model includes door hardware for Bulletin A25 enclosures.

BULLETIN: A80

Catalog Number	Description
AL55CWD	Medium POWERGLIDE Handle - Clockwise opening with defeater and door hardware

PREFERRED-CUTOUT OVERVIEW



APPLICATION

Enclosures having the preferred cutout are sized for use with up to 200A disconnect switches and up to 400A circuit breakers unless otherwise specified. The preferred cutout accepts the smaller operating handle whose mounting hole centers are 4.688 in. apart. Preferred cutouts are standard in mild steel wall-mount enclosures, modular enclosures and some select large mild steel enclosures. They are also present on all standard stainless steel offerings. Mild steel operator adapter plates with brand specific preferred cutouts are available for enclosures with a rectangular universal cutout.

Preferred cutouts are designed to house the following:

Allen-Bradley

- Bulletin 1494V disconnect switches with flange-mount variable-depth operating mechanisms and Bulletin 1494V flange-mount variable-depth operating mechanisms for circuit breakers
- Bulletin 140U flexible cable operating mechanisms for 140U molded case circuit breakers
- Bulletin 140G flexible cable and variable depth flange-mount molded case circuit breakers
- Bulletin 1494C cable-operated disconnect switches with flange-mount handles
- Bulletin 194RC cable-operated flange-mount handles for use with the NFPA 79 compliant 194R IEC rotary disconnect switches

Allen-Bradley Bulletin 1494V-R1, -R2 and -W2 operating handles and Allen-Bradley Bulletin 1494F disconnect devices or Bulletin 1494D circuit breaker operators will NOT fit these enclosures.

ABB Controls flange-mount variable-depth operating mechanisms for disconnect switches and circuit breakers. Also the cable version for circuit breakers.

Eaton Cutler-Hammer Type C361 flange-mount variable-depth operating mechanisms with disconnect switches and Type C371 flange-mount variable-depth operating mechanisms for circuit breakers.

General Electric Type STDA flange handles and variable-depth operating mechanisms for disconnect switches and circuit breakers. Also SPECTRAFLEX™ cable operators for circuit breakers.

Siemens ITE MAX FLEX® flange-mount variable-depth operating handles for circuit breakers.

Schneider Square D® Class 9422 disconnect switches with flange-mount variable-depth operating mechanisms or cable mechanisms and Class 9422 flange-mount variable-depth operating mechanisms or cable mechanisms for circuit breakers.

These enclosures will NOT accept Square D Class 9422 bracket-mounted disconnect devices, Class 9422TG1 or TG2 devices.

ORDERING

The disconnect switch, operating handle, and operating mechanism must be ordered from disconnect equipment supplier. See Technical Information in the Hoffman Specifier's Guide for wire bend space available when various manufacturers' disconnect switches are installed, or Disconnect Ordering Information at hoffmanonline.com for disconnect ordering guidelines and wire bend space available. Check the enclosure dimension drawings to verify the chosen disconnect switch will fit in the enclosure.