



LED



1 Alarm Sound (FB Type)

85dB at 1m

IP54

Ø100

NPN/PNP
Open-collector

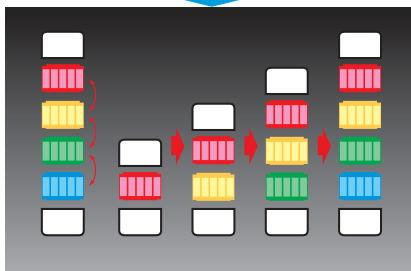
Large Signal Tower featuring enhanced visibility and downward illumination, designed for large machines.

Triple Reflection System



PATLITE's triple-reflection system creates an even brighter and distinctive illumination with its exclusive hybrid prism-cut lens for 5 color LED module variations.

Interchangeable LED Modules



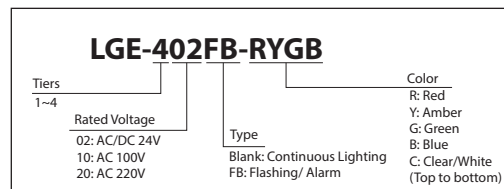
LED Tiers are changeable, even after installation.

Note: Shafts that match the number of tiers also has to be purchased.

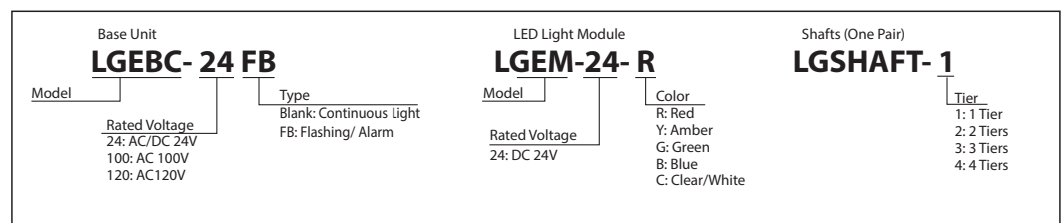
FEATURES

- PATLITE's large prism cut lens to enhance illumination in the downward direction. (Lens Size: φ100mm x 60mm high)
- The FB type offers a flashing and continuous lighting pattern.
- A built-in buzzer (FB type) has a sound of up to 85dB (at 1m).
- Direct mount Installation.
- Interchangeable Modules need no re-wiring, even after installation.
- Lens is made of superior impact and heat resistant polycarbonate resin for superior durability and illumination.
- Both NPN and PNP compatible for the DC24V type; NPN compatible with the AC 100/220V type only.
- Available Colors are in Red, Amber, Green, Blue, and Clear/White.
- Has the CE mark and conforms to the requirements for the EC directive. (for 24V type)

How to Order (Pre-assembled)



How to Order (Module)



5 "Super Bright" LED Colors to choose from!

Red Amber Green Blue Clear/White

Specifications (Pre-assembled)

(No Alarm)				
Light System	Model	Rated Voltage	Power Consumption	Mass
1 Tier	LGE-102	AC/DC 24V	2.0W	0.4kg
	LGE-110	AC 100V	5.2W	1.0kg
	LGE-120	AC 220V		
2 Tiers	LGE-202	AC/DC 24V	4.0W	0.6kg
	LGE-210	AC 100V	7.7W	1.2kg
	LGE-220	AC 220V		
3 Tiers	LGE-302	AC/DC 24V	6.0W	0.8kg
	LGE-310	AC 100V	10.2W	1.4kg
	LGE-320	AC 220V		
4 Tiers	LGE-402	AC/DC 24V	8.0W	0.9kg
	LGE-410	AC 100V	12.7W	1.5kg
	LGE-420	AC 220V		

Alarm Type (Intermittent Rate: ab. 60 beeps per min)				
Light System	Model	Rated Voltage	Power Consumption	Mass
1 Tier	LGE-102FB	AC/DC 24V	2.5W	0.4kg
	LGE-112FB	AC 100V	5.7W	1.0kg
	LGE-120FB	AC 220V		
2 Tiers	LGE-202FB	AC/DC 24V	4.5W	0.6kg
	LGE-212FB	AC 100V	8.2W	1.2kg
	LGE-220FB	AC 220V		
3 Tiers	LGE-302FB	AC/DC 24V	6.5W	0.8kg
	LGE-312FB	AC 100V	10.7W	1.4kg
	LGE-320FB	AC 220V		
4 Tiers	LGE-402FB	AC/DC 24V	8.5W	0.9kg
	LGE-412FB	AC 100V	13.2W	1.5kg
	LGE-420FB	AC 220V		

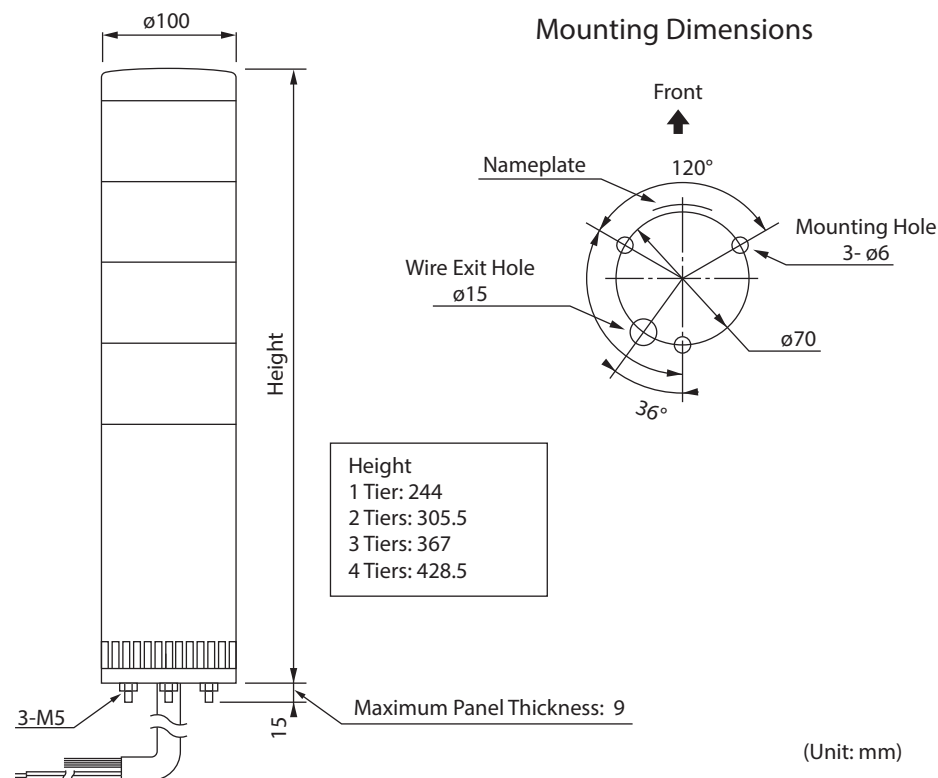
Specifications (Modules)

Light Unit	Color	Rated Voltage	Power Consumption
LGEM24-R	RED	AC/DC 24V	2.0W
LGEM24-Y	AMBER		
LGEM24-G	GREEN		
LGEM24-B	BLUE		
LGEM24-C	CLEAR		

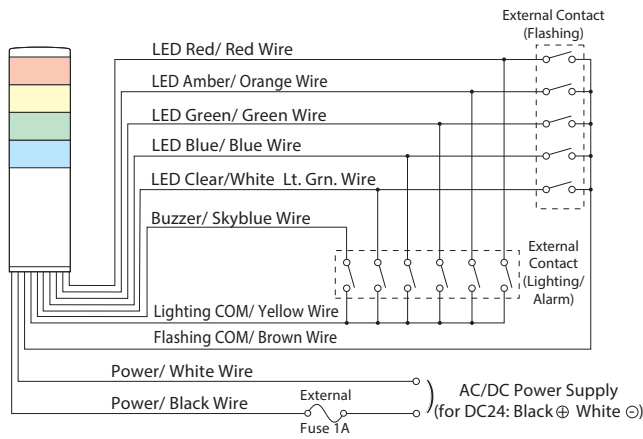
Power Unit	Rated Voltage	Operation
LGEBE-120	AC 120V	Continuous
LGEBE-24	AC/DC 24V	
LGEBE-120FB	AC 120V	Continuous/ Flashing/Alarm
LGEBE-24FB	AC/DC 24V	

Part No.	Light Units per Base
LGSHAFT-1	1
LGSHAFT-2	2
LGSHAFT-3	3
LGSHAFT-4	4

Dimensions



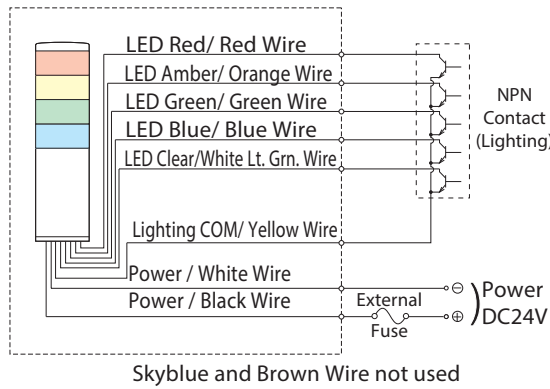
• AC/DC 24V Lighting/Flashing Type



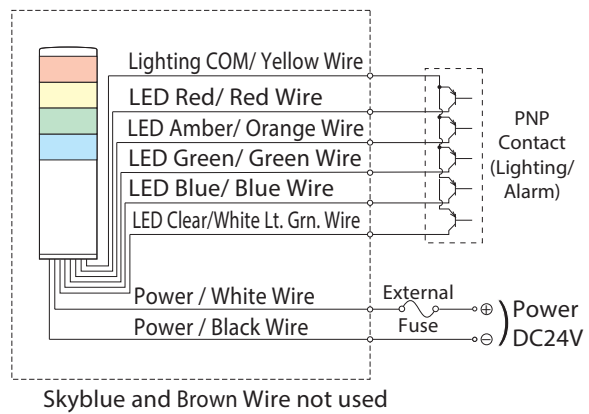
Signal Line voltage and current per LED Module

Model	Rated Voltage	Signal Line Voltage	LED	Alarm	
			Signal Line Current	Signal Line Current	Inrush Current
LGE-A	AC/DC 24V	AC/DC 24V	90mA	20mA	250mA
LGE-A	AC 100	DC 24V			
LGE-A	AC 220V				

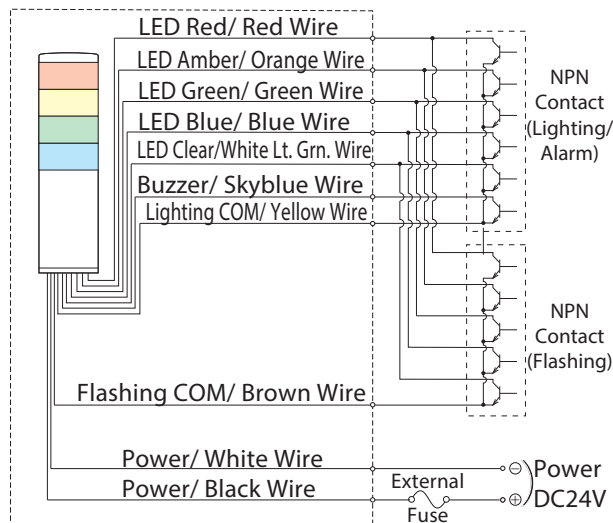
• DC 24V NPN Type



• DC 24V PNP Type



• DC 24V NPN FB Type



• DC 24V PNP FB Type

