

Please note that the data given here has been taken from the online catalog. For comprehensive information and data, please refer to the user documentation at <http://www.download.phoenixcontact.com>. The General Terms and Conditions of Use apply to Internet downloads.

► Extract from the online catalog



MCR 3-way isolating amplifier, with configurable input/output, for electrical isolation and conversion of analog signals up to 30 V, with screw connection, unconfigured

Order No.	2865007
Ord designation	MINI MCR-SL-U-UI-NC
EAN	4046356046565
Pack	1 Pcs.
Customs tariff	85389091
Weight/Piece	0,0658 KG
Catalog page information	Page 297 (NTK-2006)

► Technical data

Input data

Configurable/programmable	Yes, unconfigured
Voltage input signal	0 V ... 24 V
Voltage input signal	0 V ... 30 V
Input resistance of voltage input	Approx. 125000 Ω

Output data

MINI MCR-SL-U-UI-NC



Configurable/programmable	Yes, preconfigured
Voltage output signal	0 V ... 10 V
Voltage output signal	0 V ... 5 V
Voltage output signal	1 V ... 5 V
Voltage output signal	2 V ... 10 V
Current output signal	0 mA ... 20 mA
Current output signal	4 mA ... 20 mA
Max. output voltage	12.5 V
Max. output current	28 mA
Load/output load voltage output	> 10000 Ω
Load/output load current output	< 500 Ω (at 20 mA)

Power supply

Nominal supply voltage	24 V DC
Range of supply voltages	19.2 V DC ... 30 V DC (To bridge the supply voltage, DIN rail bus connector (ME 6,2 TBUS-2 1,5/5-ST-3,81 GN, Order no. 2869728) can be used. It can be snapped onto a 35 mm DIN rail in acc. with EN 60715)
Max. current consumption	< 19 mA (for 24 V DC)
Current consumption	< 450 mW

Connection data

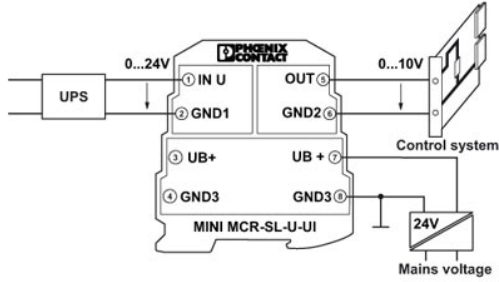
Type of connection	Screw connection
Conductor cross section solid min.	0.14 mm ²
Conductor cross section solid max.	2.5 mm ²
Conductor cross section stranded min.	0.2 mm ²
Conductor cross section stranded max.	2.5 mm ²
Conductor cross section AWG/kcmil min.	26
Conductor cross section AWG/kcmil max.	12
Stripping length	12 mm
Screw thread	M 3

General data

No. of channels	1
Length	102.5 mm
Width	6.2 mm
Height	93.1 mm
Transmission error, max.	< 0.1 % (of end value)
Temperature coefficient, max. (/K)	< 0.01 %/K
Temperature coefficient, typical	< 0.002 %/K
Cut-off frequency (3 dB)	100 Hz
Step response (10-90%)	Approx. 3.5 ms
Test voltage	1.5 kV AC (50 Hz, 1 min)
Test voltage input/output	1.5 kV AC
Test voltage input/power supply	1.5 kV AC
Test voltage output/power supply	1.5 kV AC
Protective circuitry	Transient protection
Ambient temperature (operation)	-20 °C ... 65 °C
Ambient temperature (storage/transport)	-40 °C ... 85 °C
Degree of protection	IP20
Electromagnetic compatibility	Conformance with EMC directive 89/336/EEC
Emitted interference	EN 61000-6-4
Immunity to interference	EN 61000-6-2
Color	green
Housing material	PBT
Installation position	As desired on 35 mm DIN rail in acc. with EN 60715
Assembly instructions	To bridge the supply voltage, DIN rail bus connector (ME 6,2 TBUS-2 1,5/5-ST-3,81 GN, Order No. 2869728) can be used. It can be snapped onto a 35 mm DIN rail in acc. with EN 60715.

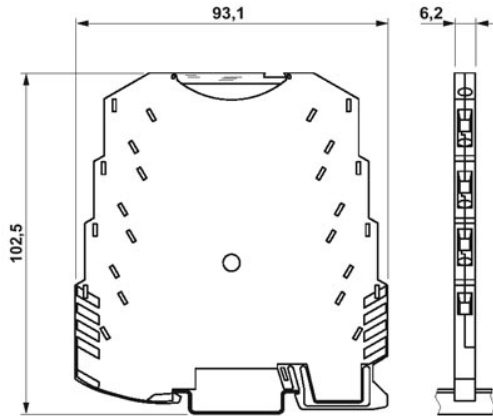
► Drawings

Application drawing

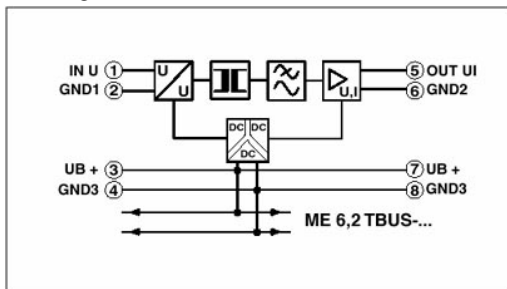


Signal conversion to uninterruptible power supply (UPS)

Dimensioned drawing



Circuit diagram



Logo



► Accessories

Item	Designation	Description
General		
2869728	ME 6,2 TBUS-2 1,5/5-ST-3,81 GN	DIN rail bus connectors (T-BUS), 5-pos., for bridging the supply voltage, can be snapped onto DIN rail NS 35/... in acc. with EN 60715
2864134	MINI MCR-SL-PTB	MRC supply terminal block, with screw-cage connection, current consumption up to 2 A max.
2864147	MINI MCR-SL-PTB-SP	MRC supply terminal block, with spring-cage connection, current consumption up to 2 A max.
2866983	MINI-SYS-PS-100-240AC/24DC/1.5	Power supply unit, primary switched-mode, narrow design, output: 24 V DC / 1.5 A

► Address

PHOENIX CONTACT Ltd
Halesfield 13
Telford Shropshire TF7 4PG
GB
Phone 01952 681 700
Fax 01952 681 799
<http://www.phoenixcontact.co.uk>
Phoenix Contact
Technical modifications reserved;