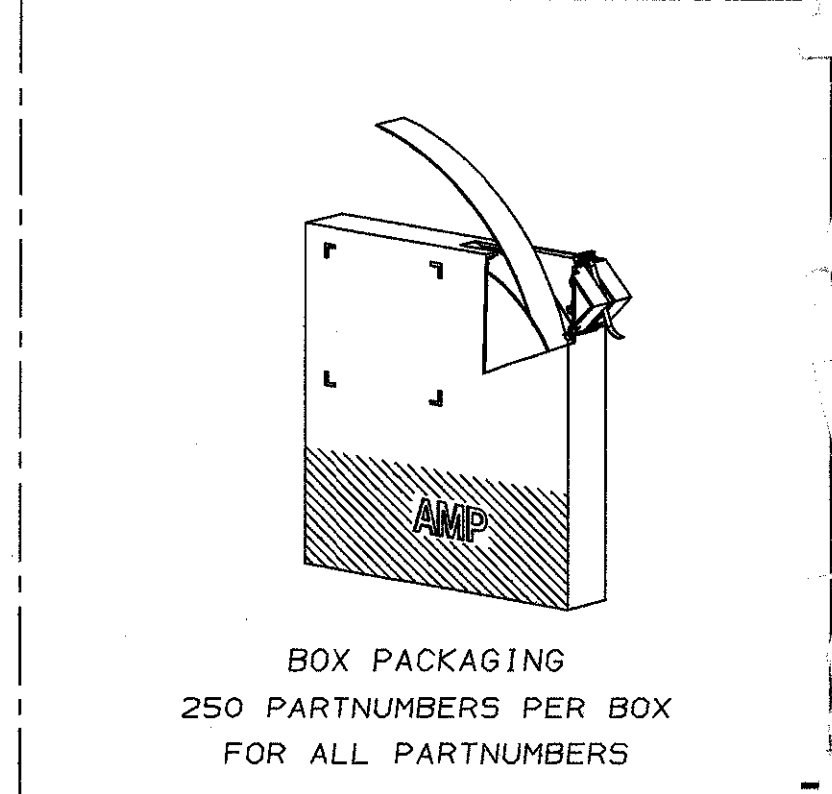
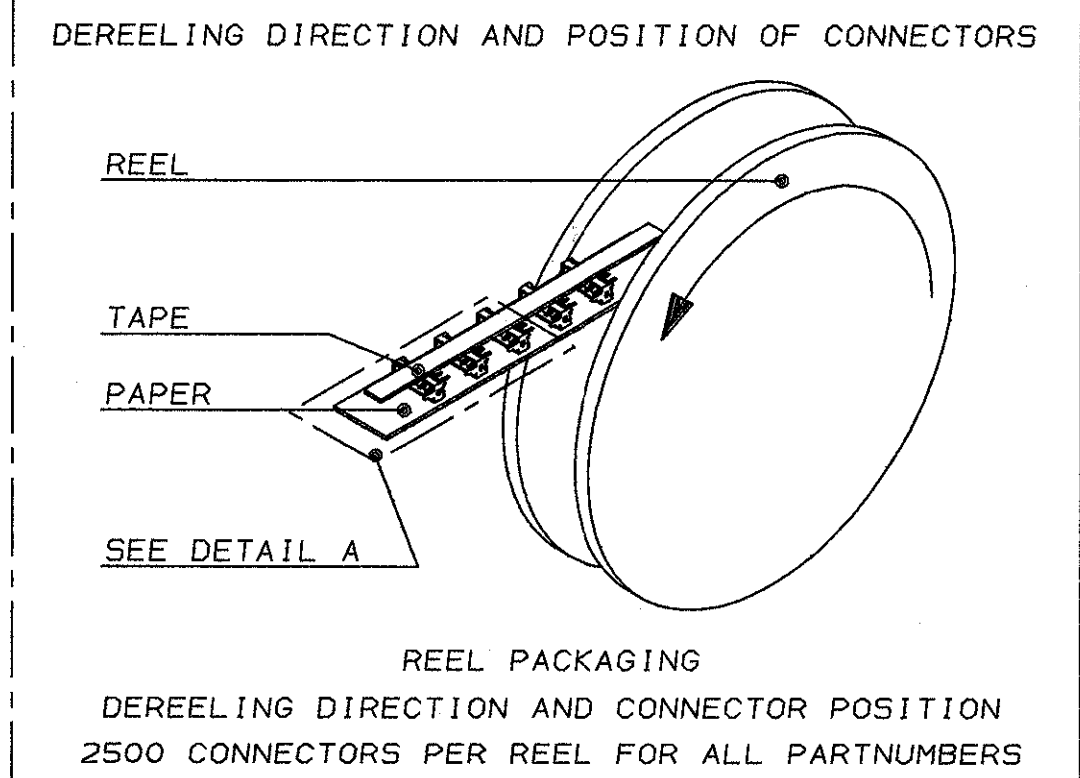
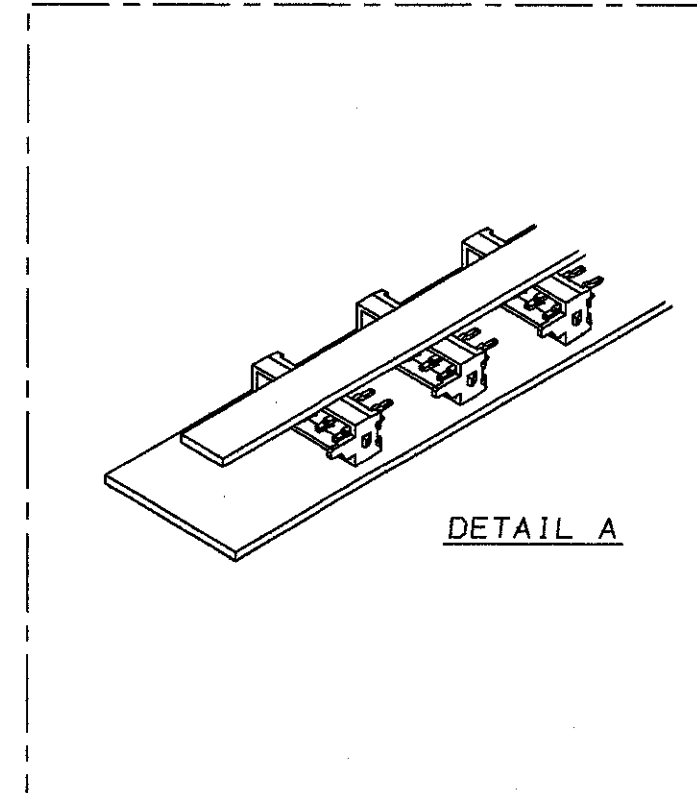
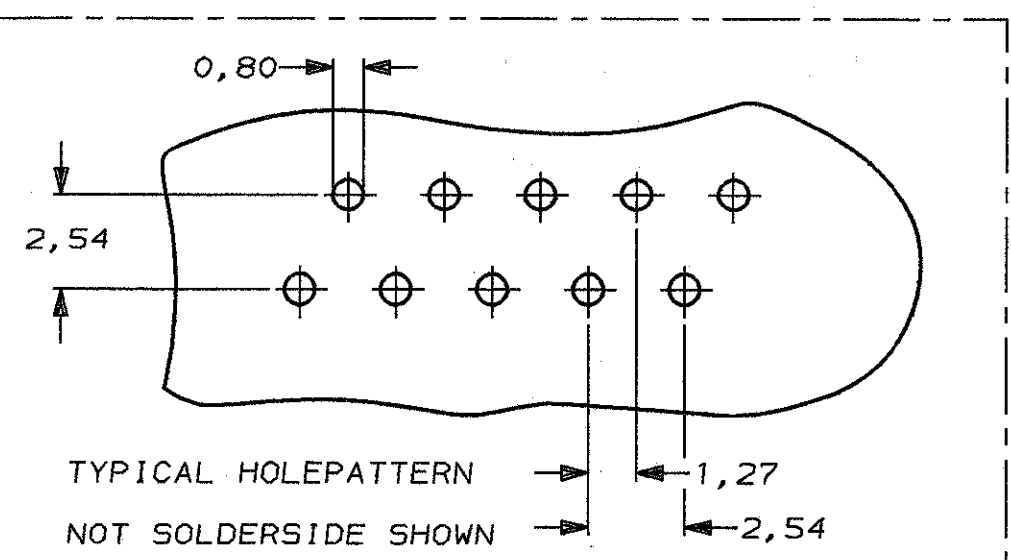
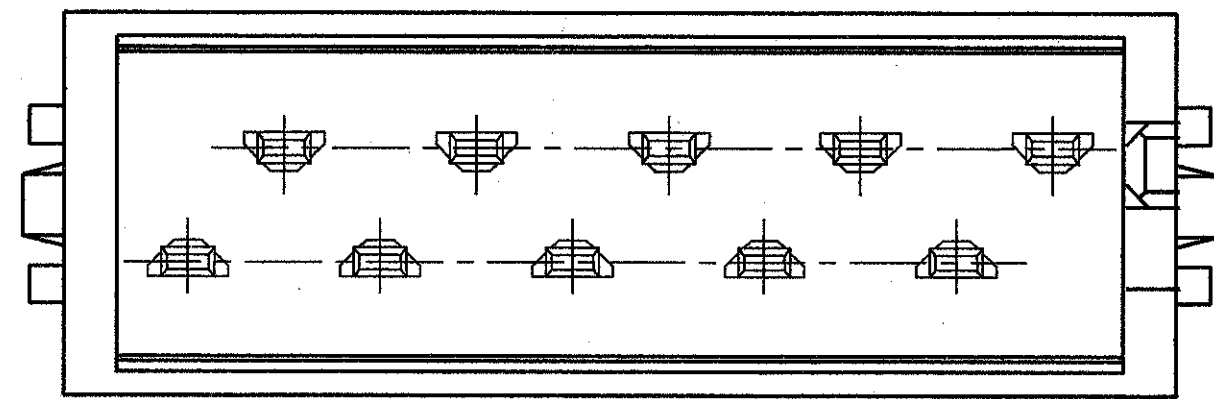
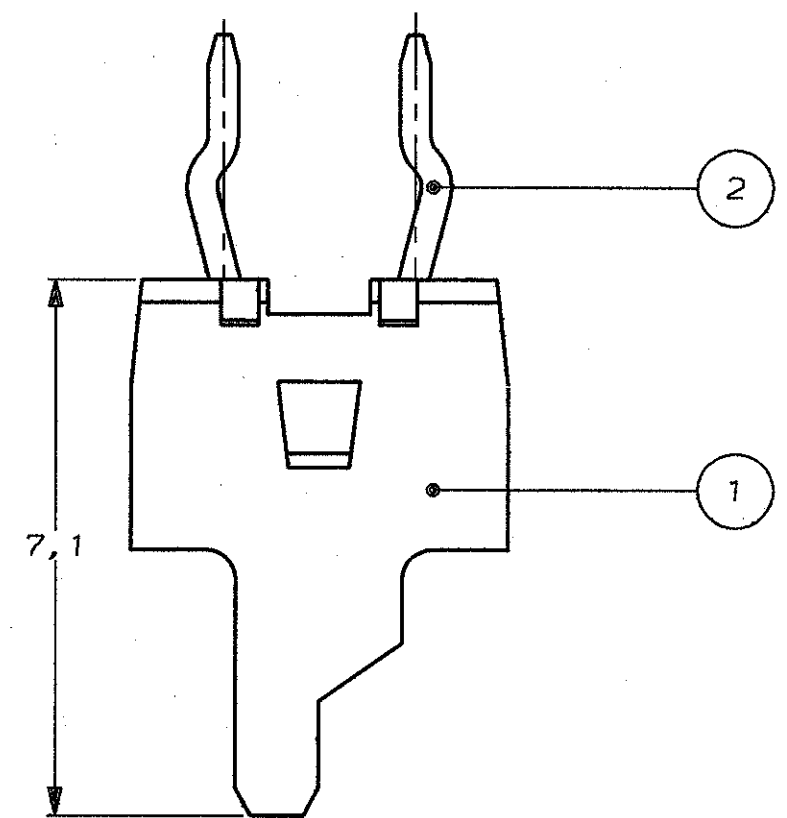
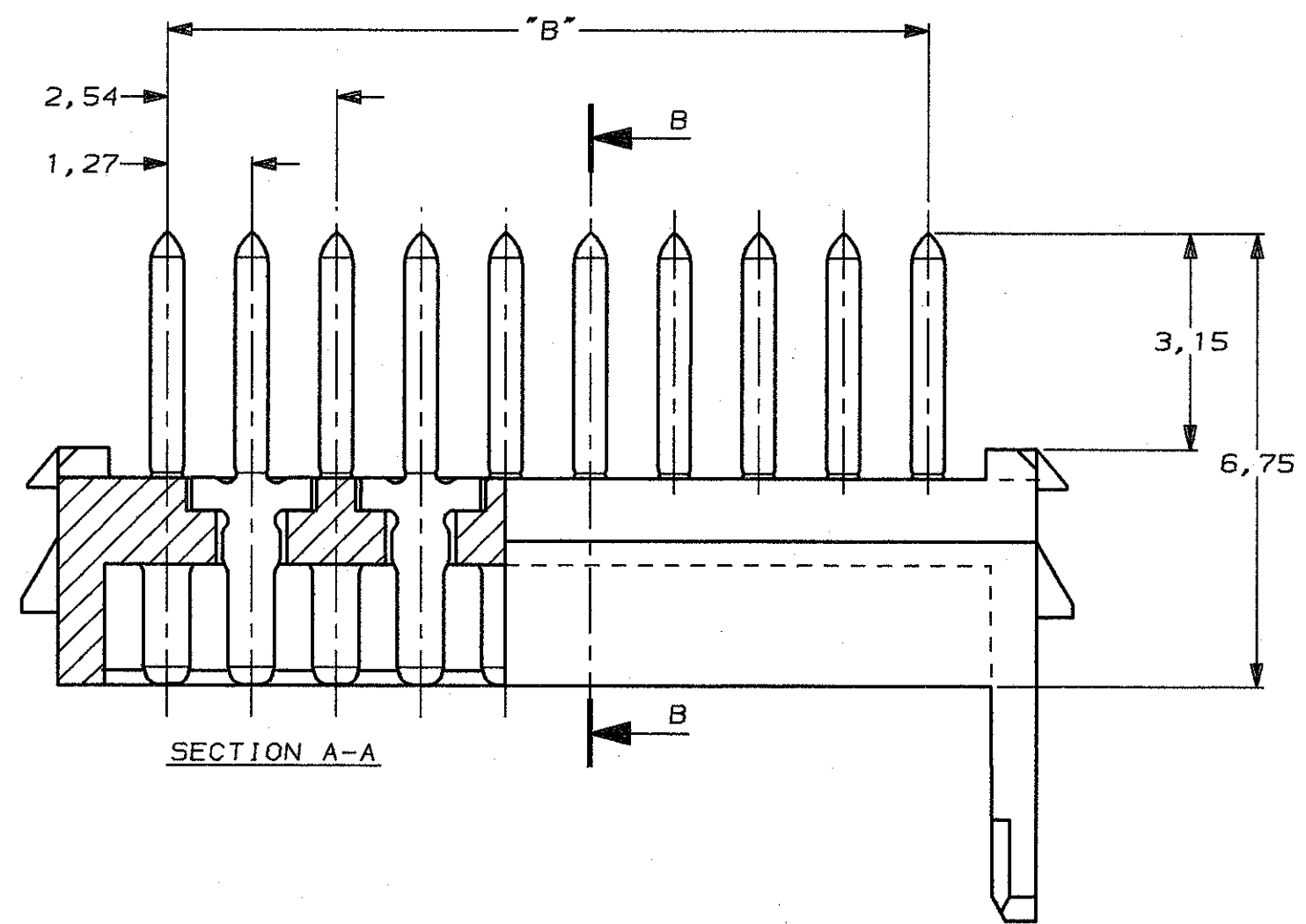
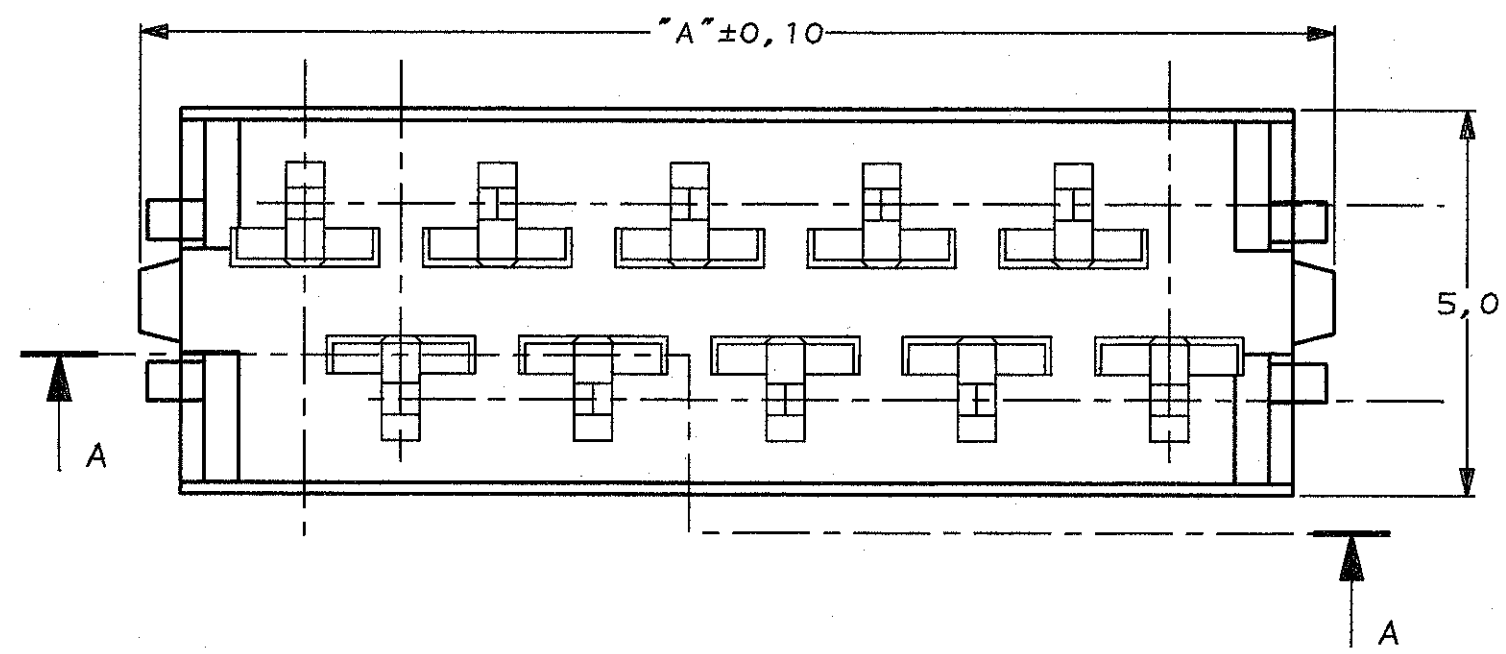


DO NOT SCALE  
DIMENSIONS IN mm

METRIC

THIRD ANGLE  
PROJECTION



PARTNUMBER BOX PACKAGING	PARTNUMBER REEL PACKAGING	NUMBER OF POSITIONS	DIMENSION	
			"A"	"B"
7-215464-4	0-215464-4	4	8,2	3,81
7-215464-6	0-215464-6	6	10,7	6,35
7-215464-8	0-215464-8	8	13,3	8,89
8-215464-0	1-215464-0	10	15,8	11,43
8-215464-2	1-215464-2	12	18,3	13,97
8-215464-4	1-215464-4	14	20,8	16,51
8-215464-6	1-215464-6	16	23,4	19,05
8-215464-8	1-215464-8	18	25,9	21,59
9-215464-0	2-215464-0	20	38,4	24,13

DESCRIPTION	MATERIAL	ITEM
MALE CONTACT	PHBR. PLATING: TIN-LEAD 93-7	2
HOUSING	GLASS FILLED POLYESTER (RED)	1

CUSTOMER DRAWING				FOR REFERENCE ONLY WILL NOT BE UPDATED	
© COPYRIGHT 19- BY AMP-HOLLAND B.V. ALL INTERNATIONAL RIGHTS RESERVED. AMP PRODUCTS MAY BE COVERED BY U.S. AND FOREIGN AND/OR PATENTS PENDING. THIS DRAWING IS UNPUBLISHED RELEASED FOR PUBLICATION					
<b>AMP</b>		AMP-HOLLAND B.V. 's-Hertogenbosch, The Netherlands.			
K	H-9745	JVD	-	15 APR 92	NAME
LTR. REVISION RECORD DR. CHK. DATE					Micro-MaTch MALE-ON-BOARD LONG POST, POLARIZED
DR.: J. VAN DREUMEL	CHK.: H. KOKKEN	APP.: -	DATE: 15-04-92	DWG. No.	REV. LTR. SHEET
				C-215464	K 1 of 1

- [Home](#)
- [Part Number Search](#)
- [Text Search](#)
- [Alternate Part Search](#)
- [Multiple Part Comparison](#)
- [Alphabetical Search](#)
- [Brand Search](#)
- [Industry Product Search](#)
- [Product Type Search](#)
- [Product Family Search](#)
- [Competitor Cross Reference](#)
- [Document Number Search](#)
- [Lead Free Solutions](#)
- [Help/Glossary](#)

<b>Current Brand View</b>	<a href="#">View All Tyco Electronics Brands</a> <small>Click to activate links to all other products</small>
<b>AMP</b>	

## Micro-MaTch Connectors

### **.050 Centerline Board-Board & Ribbon-Board Connectors (Micro-MaTch)**

**AMP** **215464-8** -- 1 of 1 products **Active** [Active](#)  
**(Tyco Electronics P/N: 215464-8)**

	Sales Information	AMP ACES	Step Search Screen
		Related Documents	General Information
		Pricing	Product Availability

**Please use the customer drawing for all design activity.**

- **Customer Drawing: 215464**, Rev. K  
 Document Title: micro-match male-on-board long post, polarized

[219119.pdf](#) [219119.pdf](#) (96K)

*The photographs and/or line drawings below are representative images of a product for viewing purposes only.*

[Product Photo](#)

## Searchable Features:

<b>Brand:</b>	AMP
<b>Product Type:</b>	Header
<b>No. of Positions:</b>	8
<b>Terminate To:</b>	Printed Circuit Board
<b>Mount Angle:</b>	Vertical
<b>PCB Mount Style:</b>	Thru Hole
<b>Housing Entry Style:</b>	Top
<b>Packaging Method:</b>	Reel
<b>Packaging Quantity:</b>	2,500

## Other Properties:

<b>Polarization:</b>	Yes
<b>Housing Color:</b>	Red
<b>Housing Material:</b>	Glass-Filled Polyester
<b>Contact Material:</b>	Phosphor Bronze
<b>Contact Mating Area Plating:</b>	Tin-Lead
<b>Centerline Spacing (mm [in]):</b>	1.27 [.050]

[Copyright](#) and [Privacy Statement](#)

Visit [Tyco International, Ltd.](#)

[Products](#) | [Brands](#) | [Industries](#) | [Customer Service](#) | [About](#) | [Home](#)