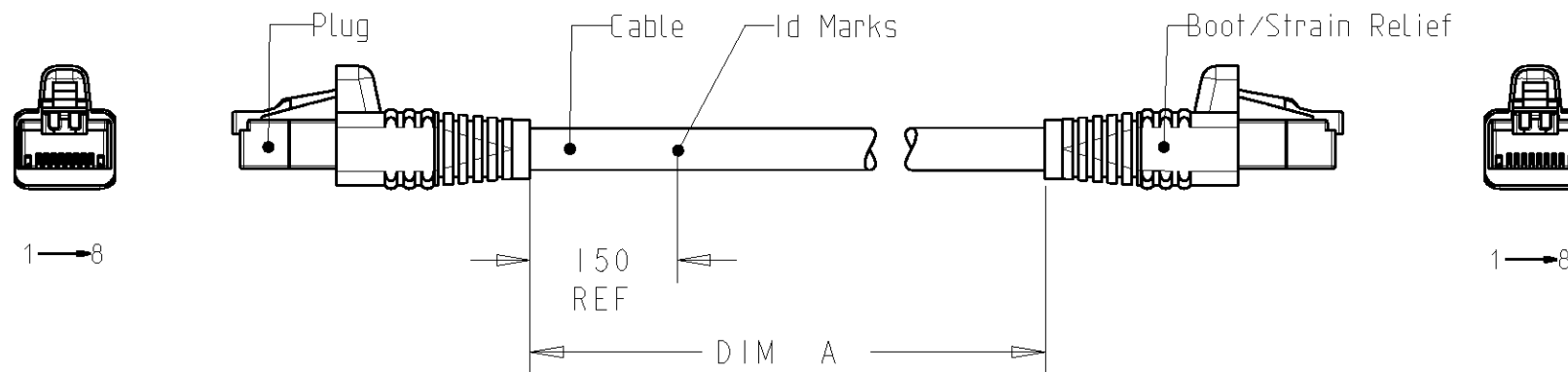


THIS DRAWING IS UNPUBLISHED. RELEASED FOR PUBLICATION 20
 © COPYRIGHT 2006 BY TYCO ELECTRONICS CORPORATION. ALL RIGHTS RESERVED.

LOC	DIST	REVISIONS				
P	LTR	DESCRIPTION	DATE	DWN	APVD	
1K	2	AI	UPDATED	03-Jan-07	JG JS	

- RJ45 CATEGORY 6 PATCH CABLE ASSEMBLIES ARE USED AS PATCH LEADS IN GENERIC CUSTOMER PREMISES CABLING ACCORDING TO ISO/IEC 11801. THEY CAN ALSO BE USED AS WORKSTATION/EQUIPMENT LEADS TO MAINTAIN CHANNEL PERFORMANCE.
- EACH ASSEMBLY IS SUPPLIED IN A CLEAR BAG.
- DIMENSIONS ARE NOMINAL UNLESS OTHERWISE SPECIFIED.



1-1711096-6	12500 - 12550	12,5
1-1711096-5	15000 - 15050	15,0
1-1711096-4	7500 - 7550	7,5
1-1711096-3	2500 - 2550	2,5
1-1711096-2	1500 - 1550	1,5
1-1711096-1	500 - 550	0,5
1-1711096-0	10000 - 10050	10,0
1711096-6	6000 - 6050	6,0
1711096-5	5000 - 5050	5,0
1711096-4	4000 - 4050	4,0
1711096-3	3000 - 3050	3,0
1711096-2	2000 - 2050	2,0
1711096-1	1000 - 1050	1,0
TE AMP P/N	DIM "A"	METERS, REF

<small>THIS DRAWING IS A CONTROLLED DOCUMENT FOR TYCO ELECTRONICS CORPORATION IT IS SUBJECT TO CHANGE AND THE CONTROLLING ENGINEERING ORGANIZATION SHOULD BE CONTACTED FOR THE LATEST REVISION.</small>		DWN J.GATNAU 03-Jan-07 CHK M.MAQUEDA 03-Jan-07 APVD J.SANABRA 03-Jan-07		tyco Electronics Tyco Electronics AMP España, S.A. Barcelona. Spain.	
DIMENSIONS: mm		TOLERANCES UNLESS OTHERWISE SPECIFIED: 0 PLC ±- 1 PLC ±- 2 PLC ±- 3 PLC ±- 4 PLC ±- ANGLES ±-		NAME RJ45 PATCH CABLE ASSEMBLY Cat6 UTP LSZH STRD RED	
		PRODUCT SPEC 108-93017		SIZE CAGE CODE DRAWING NO RESTRICTED TO A300779 C-1711096 -	
MATERIAL - FINISH -		APPLICATION SPEC -		WEIGHT -	
CUSTOMER DRAWING				SCALE - SHEET 1 OF 1 REV AI	