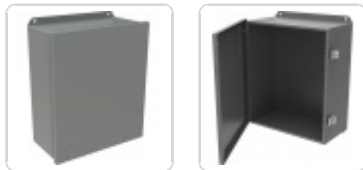


## Type 4, 12 Mild Steel Junction Box *HJ H Series*

Continuous Hinge Door with Clamps

English | [Français](#)



Panel  
Sold  
Separately



### Application

- Designed for use as instrument enclosures, electric, hydraulic or pneumatic control housings, electrical junction boxes or terminal wiring enclosures.
- Provides protection where equipment may be hosed down or otherwise be very wet, or in outdoor applications for full weather protection.

### Standards

- UL 508 Type 3R, 4, 12 and 13
- CSA Type 3R, 4, 12 and 13
- Complies with
  - NEMA Type 3R, 4, 12 and 13
  - JIC EGP-1-1967 unless marked<sup>1</sup>
  - IEC 60529, IP66

### Construction

- Body formed from 16 or 14 gauge steel. Covers are formed from 14 gauge steel.
- Smooth, continuously welded seams without knockouts, cutouts or holes.
- Welded brackets provide for enclosure mounting.
- Continuous hinged cover is secured with stainless steel clamps and screws.
- Stainless steel continuous hinge on door may be removed by pulling the stainless steel hinge pin.
- Seamless poured-in place gasket.
- Internal threaded weld studs are provided for mounting inner panels.
- A bonding stud is provided on the door and a grounding stud is provided in the enclosure.

### Finish

- Cover and enclosure are phosphatized, finished in recoatable smooth ANSI 61 gray powder coating.

### Accessories

[Inner Panels](#)

[Door Clamping Hardware](#)

[Heaters](#)

[Terminal Kit Assemblies](#)

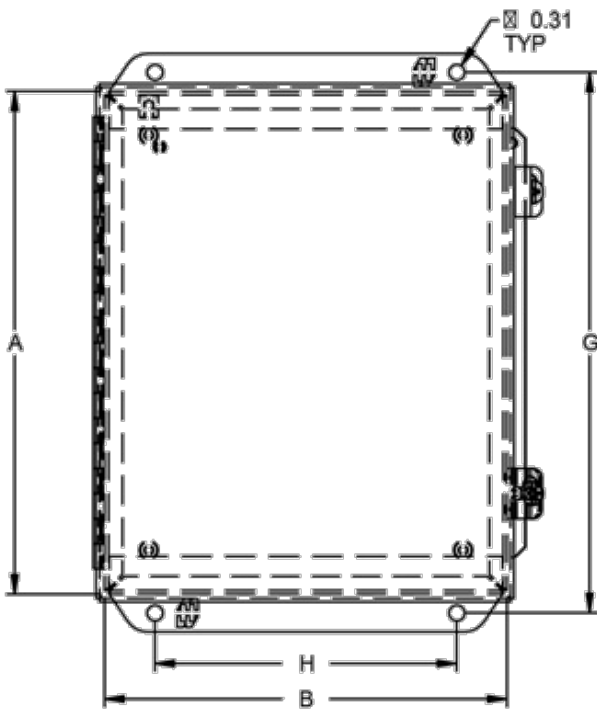
[Swing Panel Kit](#)

• [Breather Kits](#)

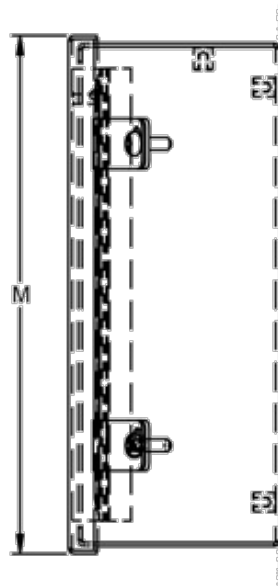
• [Filtered Fans](#)

• [Type 1 Louvered Ventilating Plates](#)

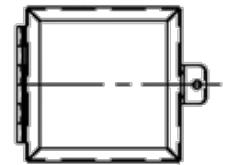
• [Temperature Controls](#)



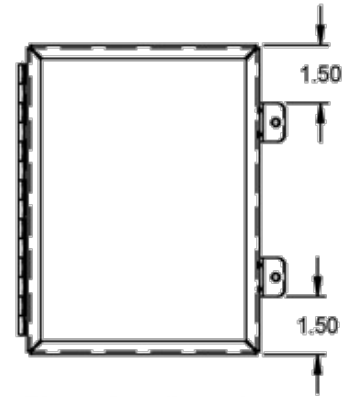
**Front View**



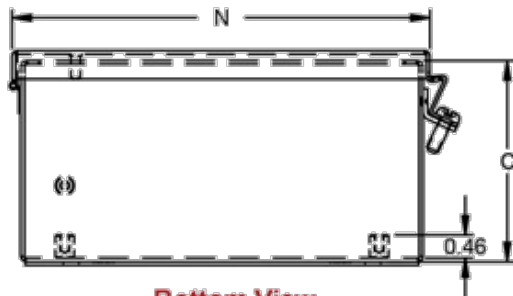
**Side View**



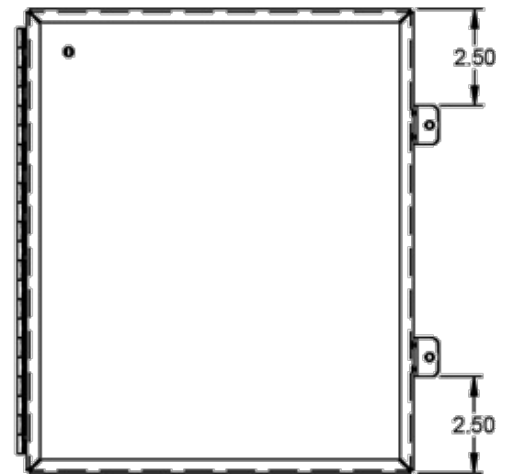
**Clamp location when  
A = 6.00" or less**



**Clamp location when  
A = 8.0" or 10.0"**



**Bottom View**



**Clamp location when  
A = 12.0" or greater**

Part No.	Mounting Centers				Cover Dimensions		Gauge		Opt. Panel		Ship Wt. (lbs)	
	A	B	C	G	H	M	N	Body	Door	Part No. <sup>2</sup>		Opt. Panel Size
HJ443HLP <sup>1</sup>	4.00	4.00	3.00	4.75	2.00	4.31	4.31	16	14	-	-	2
HJ643HLP <sup>1</sup>	6.00	4.00	3.00	6.75	2.00	6.31	4.31	16	14	<b>14R0503</b>	4.88 2.88	2
HJ863HLP	8.00	6.00	3.50	8.75	4.00	8.31	6.31	14	14	<b>14R0705</b>	6.75 4.88	5
HJ683HLP	6.00	8.00	3.50	6.75	6.00	6.31	8.31	14	14	<b>14R0705</b>	6.75 4.88	5
HJ444HLP <sup>1</sup>	4.00	4.00	4.00	4.75	2.00	4.31	4.31	16	14	-	-	3
HJ644HLP <sup>1</sup>	6.00	4.00	4.00	6.75	2.00	6.31	4.31	16	14	<b>14R0503</b>	4.88 2.88	3
HJ664HLP	6.00	6.00	4.00	6.75	4.00	6.31	6.31	14	14	<b>14R0505</b>	4.88 4.88	4
HJ884HLP	8.00	8.00	4.00	8.75	6.00	8.31	8.31	14	14	<b>14R0707</b>	6.75 6.88	7
HJ1084HLP	10.00	8.00	4.00	10.75	6.00	10.31	8.31	14	14	<b>14R0907</b>	8.75 6.88	8
HJ8104HLP	8.00	10.00	4.00	8.75	8.00	8.31	10.31	14	14	<b>14R0907</b>	8.75 6.88	8
HJ1264HLP	12.00	6.00	4.00	12.75	4.00	12.31	6.31	14	14	<b>14R1105</b>	10.75 4.88	8
HJ12105HLP	12.00	10.00	5.00	12.75	8.00	12.31	10.31	14	14	<b>14R1109</b>	10.75 8.88	10

<b>HJ10125HLP</b>	10.00	12.00	5.00	10.75	10.00	10.31	12.31	14	14	<b>14R1109</b>	10.75	8.88	12
<b>HJ866HLP</b>	8.00	6.00	6.00	8.75	4.00	8.31	6.31	14	14	<b>14R0705</b>	6.75	4.88	7
<b>HJ1086HLP</b>	10.00	8.00	6.00	10.75	6.00	10.31	8.31	14	14	<b>14R0907</b>	8.75	6.88	10
<b>HJ10106HLP</b>	10.00	10.00	6.00	10.75	8.00	10.31	10.31	14	14	<b>14R0909</b>	8.75	8.88	12
<b>HJ12126HLP</b>	12.00	12.00	6.00	12.75	10.00	12.31	12.31	14	14	<b>14R1111</b>	10.75	10.88	15
<b>HJ1486HLP</b>	14.00	8.00	6.00	14.75	6.00	14.31	8.31	14	14	<b>14R1307</b>	12.75	6.88	10
<b>HJ14126HLP</b>	14.00	12.00	6.00	14.75	10.00	14.31	12.31	14	14	<b>14R1311</b>	12.75	10.88	17
<b>HJ12146HLP</b>	12.00	14.00	6.00	12.75	12.00	12.31	14.31	14	14	<b>14R1311</b>	12.75	10.88	17
<b>HJ16106HLP</b>	16.00	10.00	6.00	16.75	8.00	16.31	10.31	14	14	<b>14R1509</b>	14.75	8.88	15
<b>HJ16146HLP</b>	16.00	14.00	6.00	16.75	12.00	16.31	14.31	14	14	<b>14R1513</b>	14.75	12.88	21
<b>HJ14166HLP</b>	14.00	16.00	6.00	14.75	14.00	14.31	16.31	14	14	<b>14R1513</b>	14.75	12.88	21
<b>HJ12108HLP</b>	12.00	10.00	8.00	12.75	8.00	12.31	10.31	14	14	<b>14R1109</b>	10.75	8.88	15
<b>HJ14128HLP</b>	14.00	12.00	8.00	14.75	10.00	14.31	12.31	14	14	<b>14R1311</b>	12.75	10.88	18
<b>HJ16148HLP</b>	16.00	14.00	8.00	16.75	12.00	16.31	14.31	14	14	<b>14R1513</b>	14.75	12.88	22
<b>HJ161410HLP</b>	16.00	14.00	10.00	16.75	12.00	16.31	14.31	14	14	<b>14R1513</b>	14.75	12.88	23

<sup>1</sup> Does not meet JIC requirements.

<sup>2</sup> Opt. panel part no. shown is painted white steel. For unpainted galvanized steel substitute "G" for "R" in the panel part no.

*Data subject to change without notice.*

© 2013. Hammond Manufacturing Ltd. All rights reserved.