

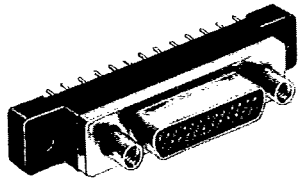
CINCH

A-61-11

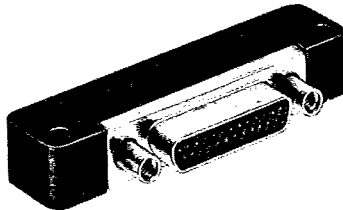
Terminal Block Connectors

The Cinch printed circuit series connectors are primarily for use with flat cable, flex circuitry, printed circuit and multi-layer boards. A unique feature of these connectors is the ease of soldering and mounting. Flow-thru design facilitates inspection and cleaning after soldering. Terminal block connectors utilize standard mounting hardware. There are three common styles, straight termination, 90° termination and 90° narrow profile termination. All three utilize the standard aluminum metal shell. These connectors come in 8 contact sizes: 9, 15, 21, 25, 31, 37, 51 and 100 and can be modified to suit specific requirements.

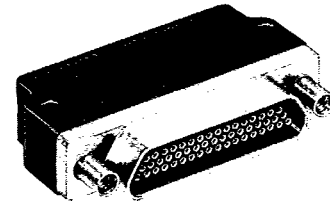
When there is a need to provide higher density and greater reliability, consult Cinch for microminiature printed circuit connectors.



STRAIGHT (180°) TERMINATION



RIGHT ANGLE (90°) TERMINATION



RIGHT ANGLE (90°) TERMINATION
NARROW PROFILE

Performance Data

Electrical

Contact Resistance: When measured in accordance with MIL-C-83513, allowable contact resistance measured on the wire at the rear of the connector is 8 milliohms maximum.

Current Rating: 3 amps max.

Max. Voltage Drop: 24 millivolts at 3 amps.

Dielectric Withstanding Voltage: Sea Level—600 VAC; 70,000 ft.—150 VAC.

Insulation Resistance: 5000 megohms min.

Mechanical

Engaging and Separating Force: For an individual contact the maximum engaging force is 6 ounces. Minimum separating force is 0.5 ounces per contact.

Mating and Unmating Force: Mating: 10 ounces times the number of contacts. Unmating: 0.5 ounces minimum times the number of contacts.

Environmental

Compressed silicon elastomer interfacial seal to provide a complete moisture and humidity seal between each contact and between contacts and shell.

Vibration: Tested in accordance with MIL-STD-1344, Method 2005, Test Condition IV, with no discontinuity in excess of one (1) microsecond.

Shock: Tested in accordance with MIL-STD-1344, Method 2004, Test Condition E, with no discontinuity in excess of one (1) microsecond.

Corrosion Resistance: No damage or unacceptable increase in contact resistance after mated sample subjected to 48 hours of salt spray per MIL-STD-1344 Method 1001. 5% solution, Condition B.

Operating Temperature Range: -55°C to +135°C.

Durability: No mechanical or electric defects for 500 cycles at a rate of 200 cycles per hour.

Moisture Resistance: Tested in accordance with MIL-STD-1344, Method 202,

omit 7a and b. After testing, the insulation resistance is greater than 1,000 megohms.

Standard Materials and Finishes

Shell: Aluminum alloy, yellow chromate over cadmium, electroless nickel or gold over nickel plating.

Insulator: Glass filled thermoplastic, polyester 94 V-O or thermoset, diallyl-phthalate.

Terminal Block: Glass filled polyphenylene Sulfide (Ryton R-4)

Contacts: Pin and socket contact—copper alloy. .000050 gold plated.

Lead Termination: 24 AWG solid copper, gold plated

Interfacial Seal: Silicone Elastomer.

Mechanical Features

Sizes: 8 sizes: 9, 15, 21, 25, 31, 37, 51, and 100.

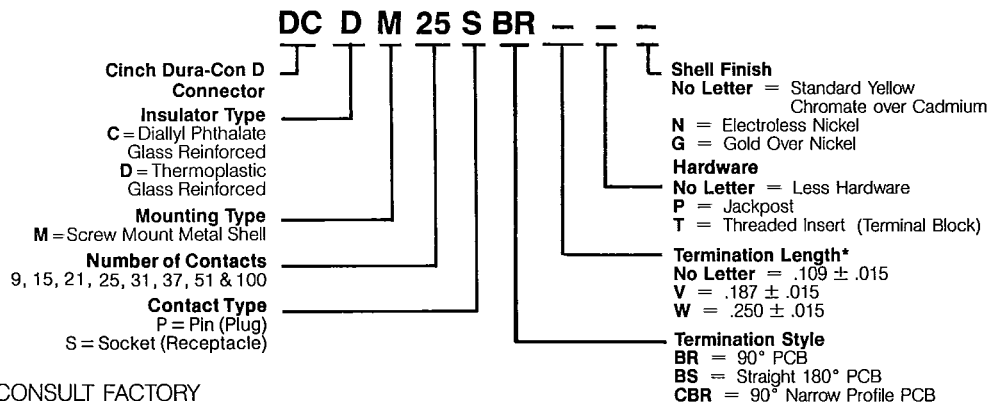
Service Classes: Environmental.

Polarization: Keystone-shaped shells.

Contact Spacing Centers: 0.050".

Shell Styles: Plug and receptacle.

How to Order

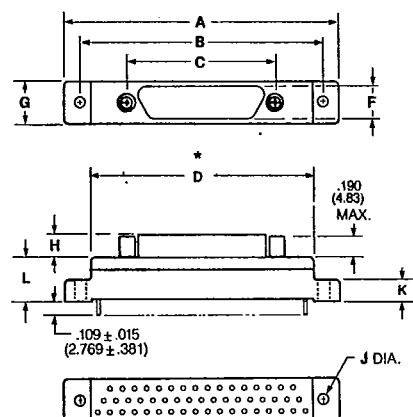


* FOR OTHER LENGTHS CONSULT FACTORY

Dura-Con connectors

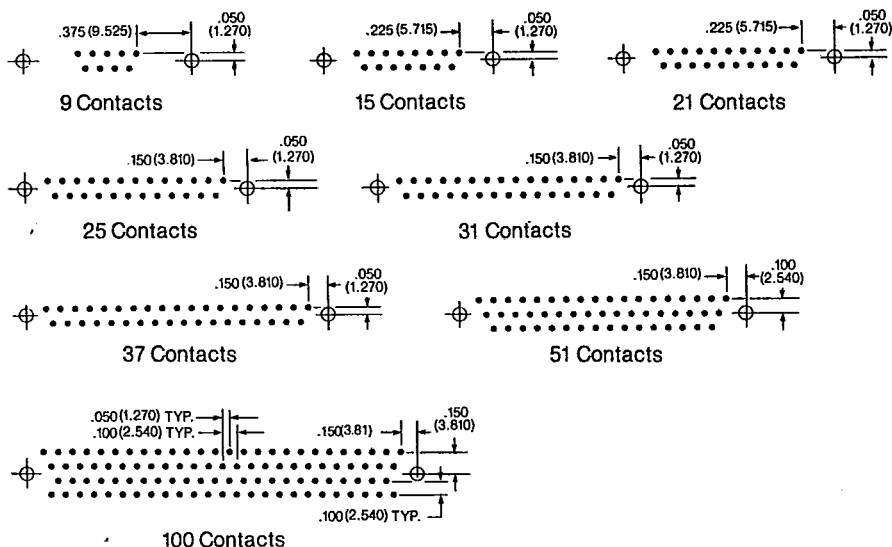
TERMINAL BLOCK, continued

Straight (180°) Termination



Termination Arrangements

(As Viewed from Bottom of Terminal Block)



NOTE: For Additional Connector Dimensions See Page 15.

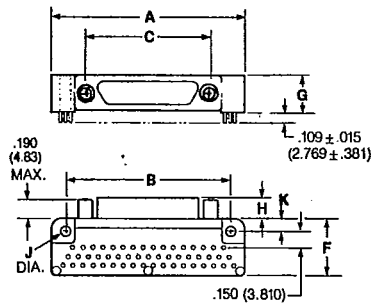
***Shorter Lengths Available, Consult Factory**

Part Number	A MAX		± .007 (0.18) B		± .005 (0.13) C		D MAX		G MAX	
	In.	MM	In.	MM	In.	MM	In.	MM	In.	MM
DCDM-9PBS	1.390	35.31	1.150	29.21	.565	14.35	.885	22.48	.308	7.75
DCDM-9SBS	1.390	35.31	1.150	29.21	.565	14.35	.885	22.48	.308	7.75
DCDM-15PBS	1.390	35.31	1.150	29.21	.715	18.16	.945	24.0	.308	7.75
DCDM-15SBS	1.390	35.31	1.150	29.21	.715	18.16	.945	24.0	.308	7.75
DCDM-21PBS	1.690	42.93	1.450	36.83	.865	21.97	1.185	30.09	.308	7.75
DCDM-21SBS	1.690	42.93	1.450	36.83	.865	21.97	1.185	30.09	.308	7.75
DCDM-25PBS	1.740	44.20	1.500	38.10	.965	24.51	1.275	32.38	.308	7.75
DCDM-25SBS	1.740	44.20	1.500	38.10	.965	24.51	1.275	32.38	.308	7.75
DCDM-31PBS	2.040	51.82	1.800	45.72	1.115	28.32	1.575	40.00	.308	7.75
DCDM-31SBS	2.040	51.82	1.800	45.72	1.115	28.32	1.575	40.00	.308	7.75
DCDM-37PBS	2.340	59.44	2.100	53.34	1.265	32.13	1.875	47.62	.308	7.75
DCDM-37SBS	2.340	59.44	2.100	53.34	1.265	32.13	1.875	47.62	.308	7.75
DCDM-51PBS	2.270	57.66	2.000	50.80	1.215	30.86	1.775	45.08	.351	8.92
DCDM-51SBS	2.270	57.66	2.000	50.80	1.215	30.86	1.775	45.08	.351	8.92
DCDM-100PBS	3.070	77.98	2.800	71.12	1.800	45.72	2.585	65.55	.455	11.56
DCDM-100SBS	3.070	77.98	2.800	71.12	1.800	45.72	2.585	65.55	.455	11.56

Part Number	H MAX		± .005 (0.13) J		K MAX		L MAX	
	In.	MM	In.	MM	In.	MM	In.	MM
DCDM-9PBS	.190	4.83	.096	2.44	.165	4.19	.355	9.02
DCDM-9SBS	.200	5.08	.096	2.44	.165	4.19	.355	9.02
DCDM-15PBS	.190	4.83	.096	2.44	.165	4.19	.355	9.02
DCDM-15SBS	.200	5.08	.096	2.44	.165	4.19	.355	9.02
DCDM-21PBS	.190	4.83	.096	2.44	.165	4.19	.355	9.02
DCDM-21SBS	.200	5.08	.096	2.44	.165	4.19	.355	9.02
DCDM-25PBS	.190	4.83	.096	2.44	.165	4.19	.355	9.02
DCDM-25SBS	.200	5.08	.096	2.44	.165	4.19	.355	9.02
DCDM-31PBS	.190	4.83	.096	2.44	.165	4.19	.355	9.02
DCDM-31SBS	.200	5.08	.096	2.44	.165	4.19	.355	9.02
DCDM-37PBS	.190	4.83	.096	2.44	.165	4.19	.355	9.02
DCDM-37SBS	.200	5.08	.096	2.44	.165	4.19	.355	9.02
DCDM-51PBS	.190	4.83	.096	2.44	.165	4.19	.355	9.02
DCDM-51SBS	.200	5.08	.096	2.44	.165	4.19	.355	9.02
DCDM-100PBS	.190	4.83	.125	3.18	.300	7.62	.550	13.97
DCDM-100SBS	.200	5.08	.125	3.18	.300	7.62	.550	13.97

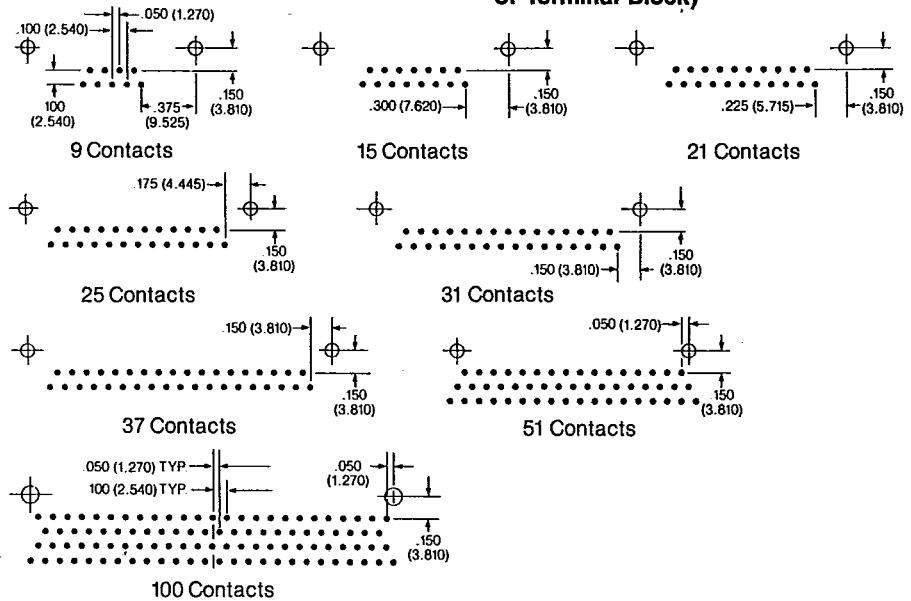
CINCH

90° Termination



Termination Arrangements

(As Viewed from Bottom of Terminal Block)



NOTE: For Additional Connector Dimensions See Page 15.

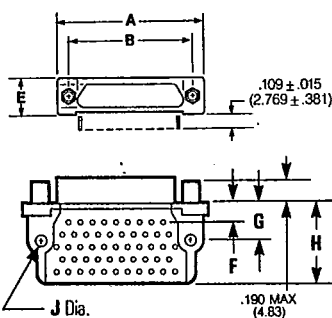
Part Number	A MAX		B ± .007 (0.18)		C ± .005 (0.13)		F MAX	
	In.	MM	In.	MM	In.	MM	In.	MM
DCDM-9PBR	1.390	35.31	1.150	29.21	.565	14.35	.465	11.81
DCDM-9SBR	1.390	35.31	1.150	29.21	.565	14.35	.465	11.81
DCDM-15PBR	1.540	39.12	1.300	33.02	.715	18.16	.465	11.81
DCDM-15SBR	1.540	39.12	1.300	33.02	.715	18.16	.465	11.81
DCDM-21PBR	1.690	42.93	1.450	36.83	.865	21.97	.465	11.81
DCDM-21SBR	1.690	42.93	1.450	36.83	.865	21.97	.465	11.81
DCDM-25PBR	1.790	45.47	1.550	39.37	.965	24.51	.465	11.81
DCDM-25SBR	1.790	45.47	1.550	39.37	.965	24.51	.465	11.81
DCDM-31PBR	2.040	51.82	1.800	45.72	1.115	28.32	.465	11.81
DCDM-31SBR	2.040	51.82	1.800	45.72	1.115	28.32	.465	11.81
DCDM-37PBR	2.340	59.44	2.100	53.34	1.265	32.13	.465	11.81
DCDM-37SBR	2.340	59.44	2.100	53.34	1.265	32.13	.465	11.81
DCDM-51PBR	1.875	47.63	1.600	40.64	1.215	30.86	.565	14.35
DCDM-51SBR	1.875	47.63	1.600	40.64	1.215	30.86	.565	14.35
DCDM-100PBR	2.780	70.61	2.500	63.50	1.800	45.72	.765	19.43
DCDM-100SBR	2.780	70.61	2.500	63.50	1.800	45.72	.765	19.43

Part Number	G MAX		H MAX		J ± .005 (0.13)		K ± .015	
	In.	MM	In.	MM	In.	MM	In.	MM
DCDM-9PBR	.308	7.82	.190	4.83	.096	2.44	.125	3.18
DCDM-9SBR	.308	7.82	.200	5.08	.096	2.44	.125	3.18
DCDM-15PBR	.308	7.82	.190	4.83	.096	2.44	.125	3.18
DCDM-15SBR	.308	7.82	.200	5.08	.096	2.44	.125	3.18
DCDM-21PBR	.308	7.82	.190	4.83	.096	2.44	.125	3.18
DCDM-21SBR	.308	7.82	.200	5.08	.096	2.44	.125	3.18
DCDM-25PBR	.308	7.82	.190	4.83	.096	2.44	.125	3.18
DCDM-25SBR	.308	7.82	.200	5.08	.096	2.44	.125	3.18
DCDM-31PBR	.308	7.82	.190	4.83	.096	2.44	.125	3.18
DCDM-31SBR	.308	7.82	.200	5.08	.096	2.44	.125	3.18
DCDM-37PBR	.308	7.82	.190	4.83	.096	2.44	.125	3.18
DCDM-37SBR	.308	7.82	.200	5.08	.096	2.44	.125	3.18
DCDM-51PBR	.351	8.92	.190	4.83	.096	2.44	.125	3.18
DCDM-51SBR	.351	8.92	.200	5.08	.096	2.44	.125	3.18
DCDM-100PBR	.394	10.00	.190	4.83	.125	3.18	.225	5.72
DCDM-100SBR	.394	10.00	.200	5.08	.125	3.18	.225	5.72

Dura-Con connectors

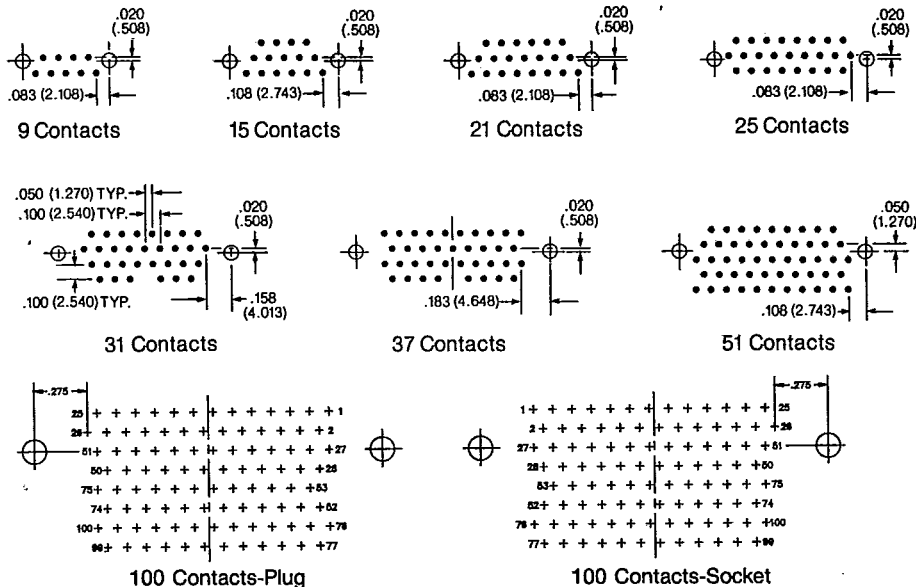
TERMINAL BLOCK, continued

90° Narrow Termination



Termination Arrangements

(As Viewed from Bottom of Terminal Block)



NOTE: For Additional Connector Dimensions See Page 15.

Part Number	A MAX		± .005 (0.13) B		E MAX	
	In.	MM	In.	MM	In.	MM
DCDM-9PCBR	.785	19.94	.565	14.35	.308	7.82
DCDM-9SCBR	.785	19.94	.565	14.35	.308	7.82
DCDM-15PCBR	.935	23.75	.715	18.16	.308	7.82
DCDM-15SCBR	.935	23.75	.715	18.16	.308	7.82
DCDM-21PCBR	1.085	27.56	.865	21.97	.308	7.82
DCDM-21SCBR	1.085	27.56	.865	21.97	.308	7.82
DCDM-25PCBR	1.185	30.10	.965	24.51	.308	7.82
DCDM-25SCBR	1.185	30.10	.965	24.51	.308	7.82
DCDM-31PCBR	1.335	33.91	1.115	28.32	.308	7.82
DCDM-31SCBR	1.335	33.91	1.115	28.32	.308	7.82
DCDM-37PCBR	1.485	37.72	1.265	32.13	.308	7.82
DCDM-37SCBR	1.485	37.72	1.265	32.13	.308	7.82
DCDM-51PCBR	1.435	36.45	1.215	30.86	.351	8.92
DCDM-51SCBR	1.435	36.45	1.215	30.86	.351	8.92
DCDM-100PCBR	2.175	55.25	1.800	45.72	.394	10.00
DCDM-100SCBR	2.175	55.25	1.800	45.72	.394	10.00

Part Number	± .010 (0.25) F		± .010 (0.25) G		H MAX		± .005 (0.13) J	
	In.	MM	In.	MM	In.	MM	In.	MM
DCDM-9PCBR	.230	5.84	.250	6.35	.420	10.67	.096	2.44
DCDM-9SCBR	.230	5.84	.250	6.35	.420	10.67	.096	2.44
DCDM-15PCBR	.130	3.30	.250	6.35	.420	10.67	.096	2.44
DCDM-15SCBR	.130	3.30	.250	6.35	.420	10.67	.096	2.44
DCDM-21PCBR	.130	3.30	.250	6.35	.420	10.67	.096	2.44
DCDM-21SCBR	.130	3.30	.250	6.35	.420	10.67	.096	2.44
DCDM-25PCBR	.130	3.30	.250	6.35	.420	10.67	.096	2.44
DCDM-25SCBR	.130	3.30	.250	6.35	.420	10.67	.096	2.44
DCDM-31PCBR	.130	3.30	.250	6.35	.520	13.21	.096	2.44
DCDM-31SCBR	.130	3.30	.250	6.35	.520	13.21	.096	2.44
DCDM-37PCBR	.130	3.30	.250	6.35	.520	13.21	.096	2.44
DCDM-37SCBR	.130	3.30	.250	6.35	.520	13.21	.096	2.44
DCDM-51PCBR	.150	3.81	.300	7.62	.650	16.51	.096	2.44
DCDM-51SCBR	.150	3.81	.300	7.62	.650	16.51	.096	2.44
DCDM-100PCBR	.200	5.08	.400	10.16	1.000	25.40	.125	3.18
DCDM-100SCBR	.200	5.08	.400	10.16	1.000	25.40	.125	3.18