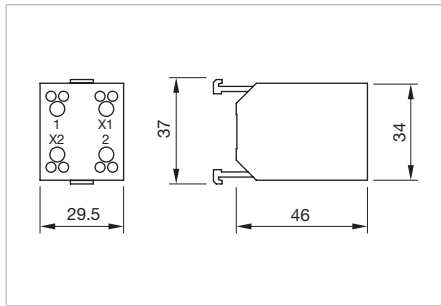


04 Accessories


Lamp transformer

Additional Information

- Lamp voltage/-current 24 VAC, 50 mA, 50/60 Hz



Dimensions [mm]

Operating voltage	Terminal	Part No.	Wiring diagram	Weight
 <p style="text-align: center;">Lamp transformer</p>				
115 / 24 VAC	Screw	704.970.3	1	0.100 kg
230 / 24 VAC	Screw	704.970.4	1	0.100 kg
400 / 24 VAC	Screw	704.970.5	1	0.100 kg
440 / 24 VAC	Screw	704.970.6	1	0.100 kg

