

Indicator full face illumination square, IP65

Equipment consisting of (schematic overview)

 **Lens cap** *page 122*

 **Diffusor cap** *page 125*

 **Actuator**

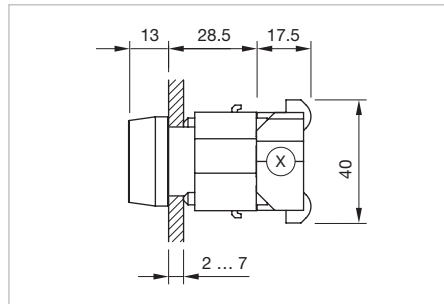
 **Bayonet flange** *page 133*

 **LED** *page 148*

 **Lamp block** *page 134*

Each Part Number listed below includes all the black components shown in the 3D-drawing.

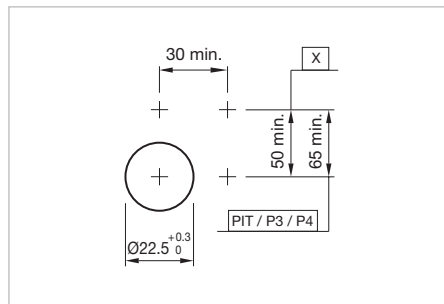
To obtain a complete unit, please select the red components from the pages shown.



Dimensions [mm]
X = Screw terminal



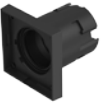
Product can differ from the current configuration.



Mounting cut-outs [mm]
PIT = Push-in terminal,
P3 = Plug-in terminal 6.3 x 0.8 mm,
P4 = Double plug-in terminal 6.3 x 0.8 mm,
X = Screw terminal

Additional Information

- For front dimension 30 x 30 mm
- Housing plastic grey
- Other terminal options from the part lamp block see «Accessories»

Part No.		Weight
	Indicator actuator full face illumination square	
704.730.0		0.005 kg
704.730.1		0.005 kg