

LFH

UL US CE RoHS IP66 NEMA 4, 4X, 13
UL 1638

PATLITE
New Frontiers in Safety, Security and Comfort

Bright & Protected Indoor/Outdoor LED Warning Lights

Model LFH

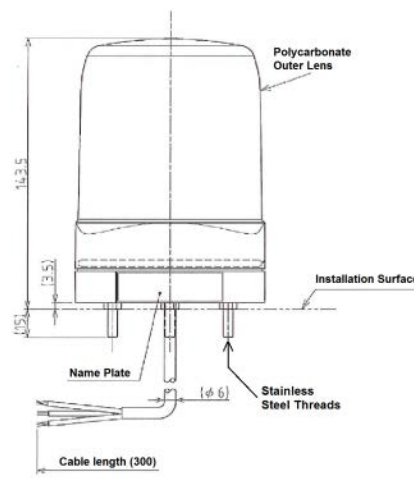
Patlite's Model LFH indoor/outdoor LED Warning Light provides about 110 bright flashes per minute. This Warning Light is available in 12VDC, 24VDC, 48VDC, and 90-250VAC. In the upright position, the LFH offers water resistance (IP66) with its tough construction. Base models are UL 1638 listed and RoHS compliant.

Model LFH has superior visibility as it has a night-time visibility of 3,280 feet (1,000m). The long life LED makes it ideal for placement in hard to service locations.

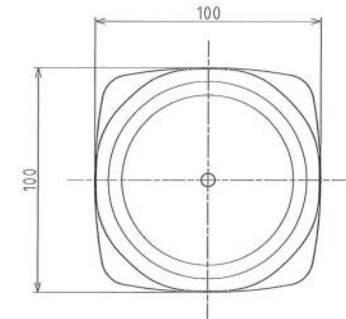
The sun-light visible LED and ruggedness of the LFH allows for it to be used in various environments such as factories, utilities, food and beverage, pharmaceutical, parking lots, and others. The 90m/s² (9G)* vibration resistance allows for the Warning Light to be mounted on forklifts, construction, maintenance, and industrial vehicles.



- Available in 12VDC, 24VDC, 48VDC, and 90-250VAC
- Five dome colors (Red, Yellow, Green, Blue, and Clear)
- Triple flash, 110 +/-10 flashes/minute
- Indoor/Outdoor use
- IP66 (IEC60529)
- Vibration resistant 90m/s² (9G)*
- UL 1638, CAN/ULC-S526-M87
- NEMA Type 4, 4X, 13
- RoHS Directive (EN50581)
- CE
- FCC Part 15 Subpart B Class A



Drawing in millimeters



Optional Parts

SZ-007
Wall mount bracket



SZ-170
Heavy duty mount bracket



How to Order:

LFH - [] - []

Rated Voltage

12: 12VDC
24: 24VDC
48: 48VDC
M2: 90-250VAC

Color

R: Red
Y: Yellow
G: Green
B: Blue
C: Clear

Specifications


Model	LFH-12	LFH-24	LFH-48	LFH-M2
Rated Voltage	12VDC 24VDC		48VDC	100V/120V/200V/230VAC
Operating Voltage Range	9.5VDC ~ 15VDC	20VDC ~ 30VDC	35VDC ~ 60VDC	90VAC ~ 250VAC
Operating Ambient Temperature	-22°F ~ +158°F (-30°C ~ +70°C)			-4°F ~ +140°F (-20°C ~ +60°C)
Operating Ambient Humidity	Less than 90% (No condensation)			
Mounting Location	Indoors and Outdoors			
Mounting Direction	Upright, Inverted, and Sideways (in a wet environment upright only)			
Vibration Resistance	90 m/s ²			20 m/s ²
Protection Rating	IP66 (IEC 606529)			
Luminous Intensity	Red: more than 112cd Yellow: more than 177cd Green: more than 240cd Blue: more than 52cd White: more than 257cd			
Weight (+/- 10%)	20.1oz (570g)			21.5oz (610g)

* Vibration resistance 20m/s² for the LFH-M2

Patlite (USA) Corporation

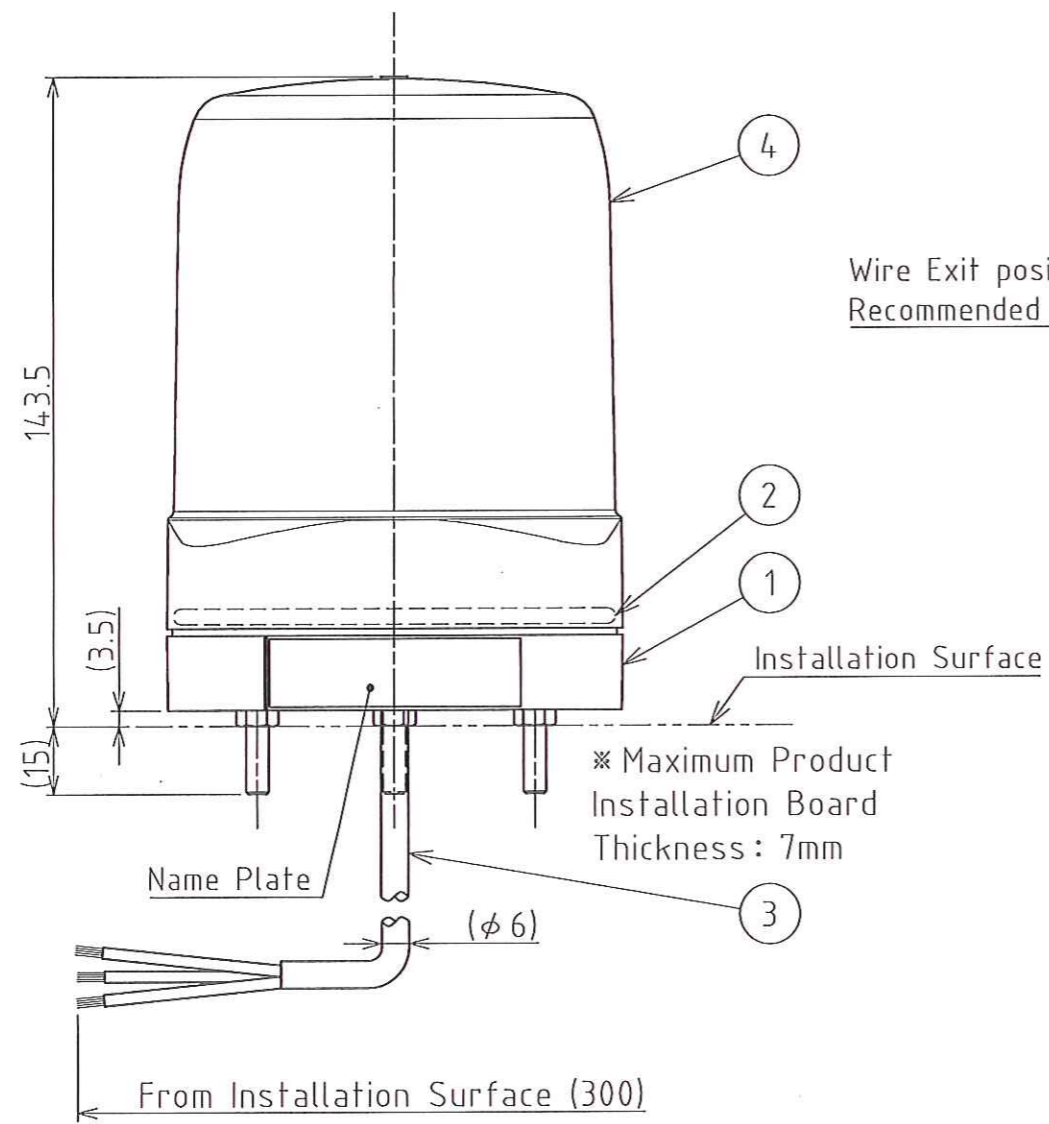
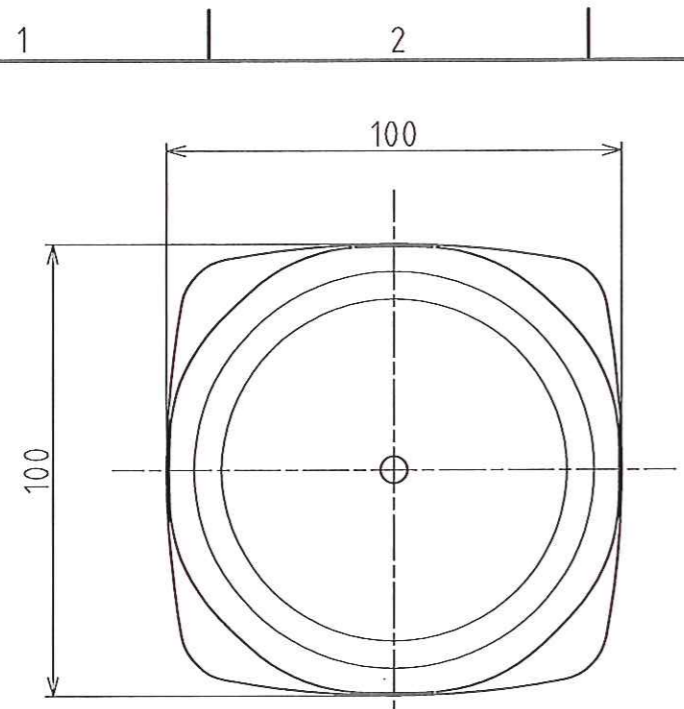
SPECIFICATIONS

[General Specifications]

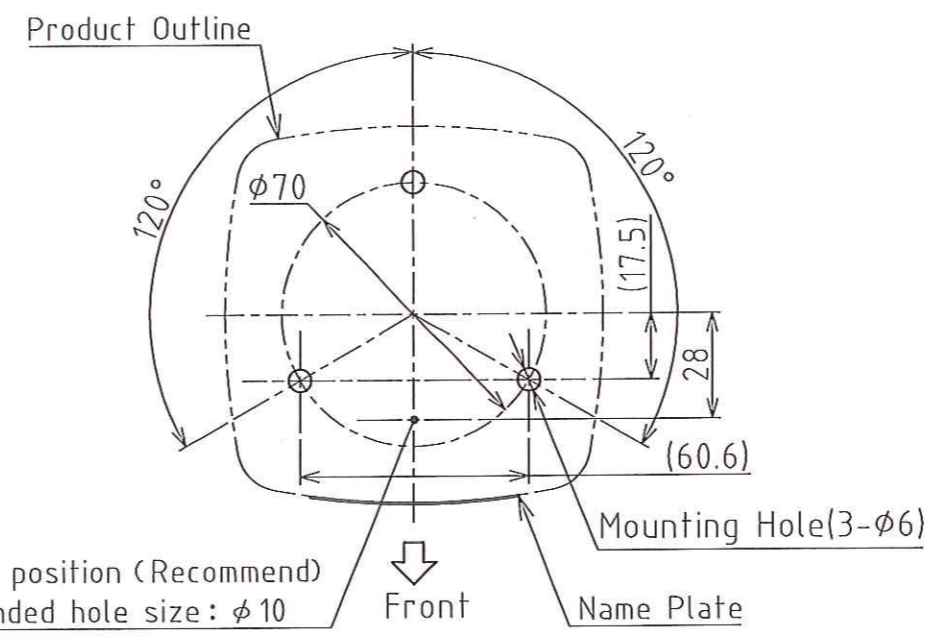
Model	LFH-12	LFH-24	LFH-48
Rated Voltage	12V DC	24V DC	48V DC
Operating Voltage Range	9.5V DC~15V DC	20V DC~30V DC	35V DC~60V DC
Signal Wire Current	Typ.	0.42A	0.19A
	Max.	0.50A	0.23A
Rated Power Consumption	Typ.	5.0W	4.5W
	Max.	6.0W	5.5W
Operating Ambient	-30°C ~ +70°C		
Operating Ambient Humidity	Less than 90% (No condensation)		
Storage Ambient Temperature	-40°C ~ +80°C		
Storage Ambient Humidity	Less than 90% (No condensation)		
Mounting Location	Indoors and Outdoors		
Mounting Direction	Upright ,Inverted and Sideways (In a wet environment, Upright only)		
Protection Rating	IP66 (IEC 60529)		
Environmental Condition	Upright Mounting		
Vibration Resistance	90m/s ²		
Insulation Resistance	More than 1MΩ at 500VDC between the terminals and the chassis		
Withstand Voltage	The following voltage applied for 1min between terminals and chassis without breaking		
	500V AC	1000V AC	
Flashing Rate	110±10 Flashes Per Minute (Triple Flash Pattern)		
Luminous Intensity	Red: more than 112cd Amber: more than 177cd Green: more than 240cd Blue: more than 52cd White: more than 257cd		
Mass (Tolerance ±10%)	570g		
Outer Dimensions	Refer to the "Dimensions" Drawing		
Conformity Standards	UL 1638, CAN/ULC-S526-M87		
	RoHS Directive (EN 50581)		
	EMC Directive (EN 55015, EN 61547)	-	
	FCC Part15 SubpartB Class A	-	
	ECE Regulation No.10	-	
Remarks	<p>UL Listed (File No.S24210) This product conforms to EN standard and shows the CE Marking. (Except for LFH-48) Accessories : Spring Washer (X3) 、 Washer (X3) 、 Nut (X3) 、 Instruction Manual</p> <div style="text-align: right; margin-top: 20px;">  </div>		

No. LFH - . -A18A-1_2

<h2 style="margin: 0;">PATLITE Corporation</h2>	Approved	Checked	Drawn
	 8. Apr. '13	 8 Apr. '13	K.Sawano 8.Apr.'13

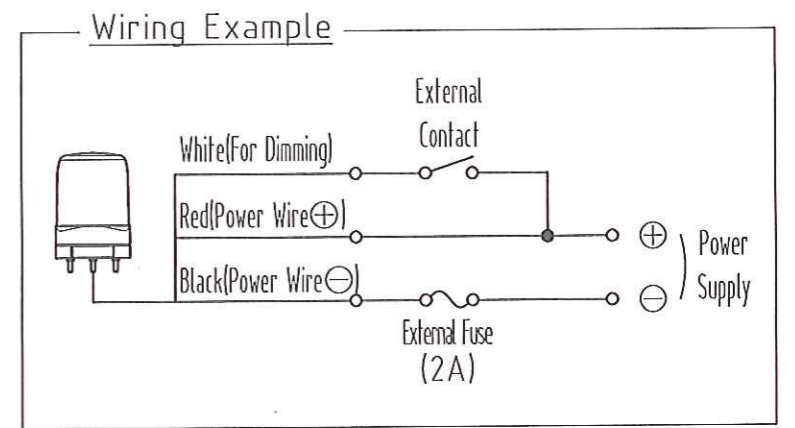


Dimensions

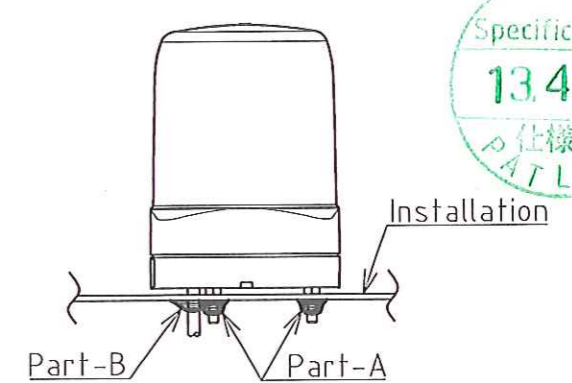


Installation Dimensions [1:2]

指定 公差 General Tolerance	角度公差 Angular tolerance ±[°]			寸法公差 Dimensional tolerance ±[mm]						符号 Sym.	年月日 Date	訂正履歴 Revisions	記印 Sgn.	検印 Chk.	承認 App.	
	短辺 Length of short side	長辺 Length of long side	~	精 f	中 m	粗 c	6	30	120							300
短辺 Length of short side	10	50	100	精 f	0.05	0.1	0.2	0.4	0.6	△-						
長辺 Length of long side	1	0.5	0.3	中 m	0.1	0.3	0.5	0.7	1	△-						
公差 Tolerance	3	1.5	1	粗 c	0.3	0.5	1	1.2	2	△-						



※ If you need the waterproof with downside of Installation, seal the Mounting bolts (Part-A) and Wire Exit hole (Part-B).



Sealing Instruction Example



4	Globe	-	1	PC resin	Red/Amber/Green /Blue/Clear
3	Power Supply Wire	-	1	UL2517 AWG20×3c	
2	O-ring	-	1	Silicon	gray
1	Body	-	1	ABS resin	Charcoal gray
番号 No.	部品名 Part Name	品目コード Part No.	数量 Qty.	材料 & 寸法 & 処理 Material & Size & Finish	記事 Remarks

設計 Dgn.by	製図 Drn.by	検図 Chk.by	承認 App.by	図名 Name	機種名 Model	特注No. S.P.No.
K.Sawano	K.Sawano	Y.Higashi	Y.Higashi	Specifications	LFH-12/24/48	
5.Nov.'12	8.Apr.'13	8.Apr.'13	8.Apr.'13	Dimensions	品目コード Part No.	
三角法 3rd Angle P.	単位 Unit mm	尺度 Scale —		株式会社 パトライト PATLITE Corporation	図番 Drawing No.	LFH-.-A18A-2_2