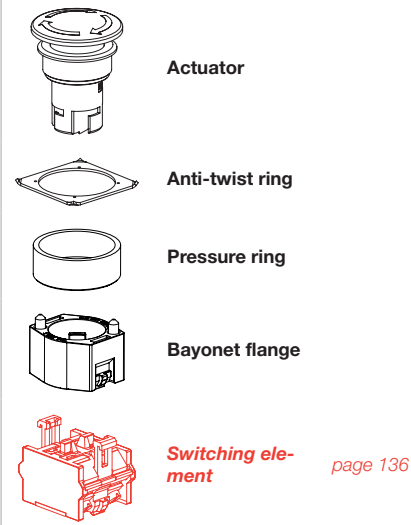


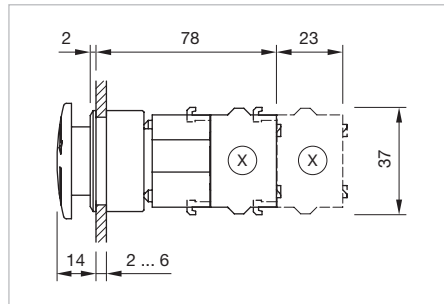
Stop switch, IP65

Equipment consisting of (schematic overview)

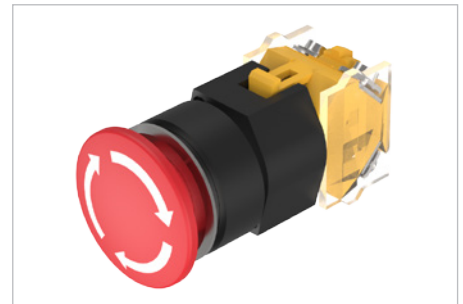


Each Part Number listed below includes all the black components shown in the 3D-drawing.

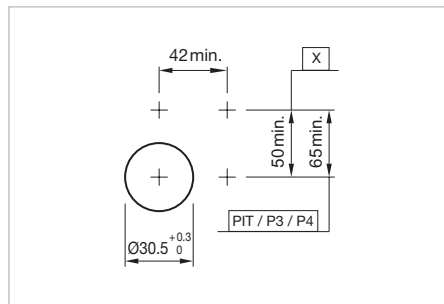
To obtain a complete unit, please select the red components from the pages shown.



Dimensions [mm]
X = Screw terminal




Product can differ from the current configuration.



Mounting cut-outs [mm]
PIT = Push-in terminal,
P3 = Plug-in terminal 6.3 x 0.8 mm,
P4 = Double plug-in terminal 6.3 x 0.8 mm,
X = Screw terminal

Additional Information

- Other terminal options from the part switching element see «Accessories»
- Twist to unlock clockwise
- Max. 3 switching elements can be clipped on
- The colour of anodized aluminium parts can vary due to technical production reasons

Front ring	Lens	Marking	Switching action	Part No.	Wiring diagram	Weight
	Stop switch actuator, Front dimension Ø 40 mm					
Aluminium natural anodized	Plastic red	Arrows	C	704.075.218	1	0.048 kg
		Stop	C	704.075.318	1	0.048 kg
Aluminium black anodized	Plastic red	Arrows	C	704.074.210	1	0.048 kg
		Stop	C	704.075.310	1	0.048 kg

Switching action : C = Maintain

