



MARKETING Submittal

Table of Contents

SKU	Asset Type	Page
HBL20445B	Specification Sheet	2
HBL20418	Specification Sheet	3
DRUBKIT	Specification Sheet	4
HBL61CM64BK	Specification Sheet	5
HBL9452C	Specification Sheet	6
HBL2721SW	Specification Sheet	7
074011195	Specification Sheet	8
HBL2720SW	Specification Sheet	9
HBL9420	Specification Sheet	10
HBL8119V	Specification Sheet	11
HBL52CM61	Specification Sheet	12
HJ1003GPK25	Specification Sheet	13
HBL5679C	Specification Sheet	14
00322002LPK50	Specification Sheet	15
HBL7595N	Specification Sheet	16

Hubbellock® Devices
30A,480V AC, 3 Pole, 4 Wire Grounding
Hubbellock® Plug

HUBBELL

Features

- Molded-in male contacts are resistant to damage and provide a consistently positive connection
- Insulated non-metallic housing enhances safety and abuse resistance
- Box terminals in conjunction with screws with pressure pads provide maximum termination strength and dependability
- Three-piece clamp assembly provides maximum strain relief and protects against entry of moisture and dust

Ordering Information

Description	Cord Diameter	UPC	Catalog Number
Red nylon housing, thermoset interior	.700"-1.200" (17.78-30.5)	783585017266	HBL20445B

Listings

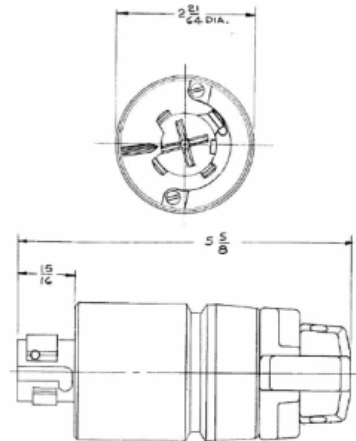
Listed to UL Standard
Certified to CSA Standard

Specifications

Device Color	Black/White
Housing	Nylon
Cord Clamp Material	PET
Plug Housing	Thermoset
Contacts	Brass
Terminal Screws	Zinc plated steel
Assembly Screws	Stainless Steel

Performance

Electrical	
Current Interrupting	Certified for current interrupting at full rated current
Dielectric Voltage Withstand	2,000V minimum
Mechanical	
Terminal Accommodation	#10 AWG - #6 AWG stranded copper wire only.
Terminal Identification	Terminals identified in accordance with UL 498
Environmental	
Flammability	UL 94 VO for Receptacles and Inlets. HB or better for Plugs and Connectors
Moisture Resistance	IP30 Suitability
Operating Temperatures	Maximum Continuous 75°C; Minimum -40°C (w/o impact)



Accessories

Connector	HBL20444B
"Mini" Boot	HBL20425B

Resources

Customer Use Drawing
eCatalog

Dimensions in Inches (mm)

Hubbell Wiring Device-Kellems • Hubbell Incorporated (Delaware) • 40 Waterview Drive • Shelton, CT 06484

Phone (800) 288-6000 • Fax (800) 255-1031 • Specifications subject to change without notice.



Hubbellock® Devices
 30A, 600V AC, 20A, 250V DC, 3 Pole, 4 Wire
 Grounding

HUBBELL

Hubbellock® Flanged Inlet

Features

- Molded-in male contacts are resistant to damage and provide a consistently positive connection
- Insulated non-metallic housing enhances safety and abuse resistance
- Box terminals in conjunction with screws with pressure pads provide maximum termination strength and dependability
- Metallic weather protective spring loaded cover provides protection from moisture and dust

Ordering Information

Description	Device Color	UPC	Catalog Number
Black phenolic interior, aluminum housing	Metallic	783585017457	HBL20418

Listings

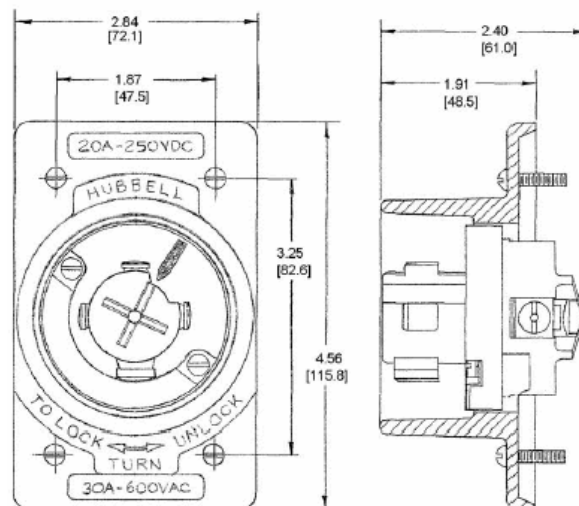
Listed to UL Standard
 Certified to CSA Standard

Specifications

Housing	Cast Aluminum
Inlet Interior	Thermoset
Contacts	Brass
Terminal Screws	Zinc plated steel

Performance

Electrical	
Current Interrupting	Certified for current interrupting at full rated current
Dielectric Voltage	2,000V minimum
Mechanical	
Terminal Accommodation	#10 AWG - #6 AWG solid or stranded copper wire only.
Terminal Identification	Terminals identified in accordance with UL 498
Environmental	
Flammability	UL 94 V0 for Receptacles and Inlets.HB or better for Plugs and Connectors
Moisture Resistance	IP30 Suitability
Operating Temperatures	Maximum Continuous 75°C; Minimum -40°C (w/o impact)



Accessories

Connector	HBL21414B
Corrosion Resistant Connector	HBL21CM414B

Resources

Customer Use Drawing
 eCatalog

Dimensions in Inches (mm)

Hubbell Wiring Device-Kellems • Hubbell Incorporated (Delaware) • 40 Waterview Drive • Shelton, CT 06484

Phone (800) 288-6000 • Fax (800) 255-1031 • Specifications subject to change without notice.



Straight Blade Devices
 DIN Rail Utility Box Component
 Prewired Kit



Features

- It provides utility power to any control cabinet
- Optional auxiliary contacts for feed through capability
- Pre-wired "kits" are available for end-user customization

Ordering Information

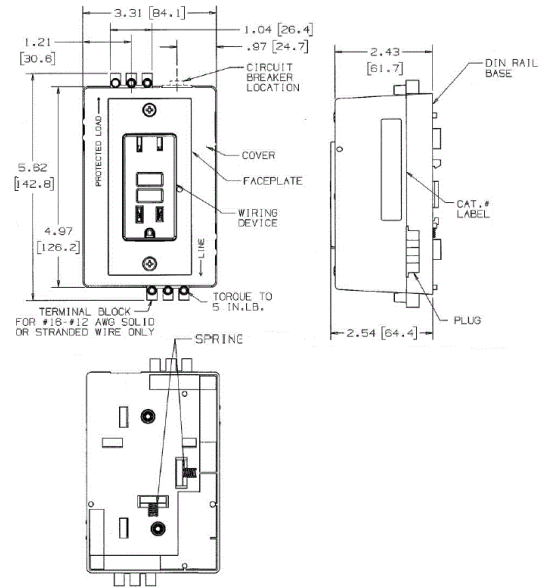
Description	Device Color	UPC	Catalog Number
Pre-wired kit without circuit breaker	Gray	783585108124	DRUBKIT

Listings

UL Listed
 Certified to CSA

Specifications

Cover/Faceplate	PVC
Base	PVC
Plug	PVC



Resources

Customer Use Drawing
 eCatalog



Straight Blade Devices 15A, 125V, 2 Pole, 3 Wire Grounding Flanged Inlets

HUBBELL

Features

- Weatherproof flip lid
- Weatherproof boot covers terminals
- Multiple drive screws
- Nickel plated brass blades

Ordering Information

Description	Device Color	UPC	Catalog Number
Weatherproof lift cover and boot	Black	783585808666	HBL61CM64BK



Listings

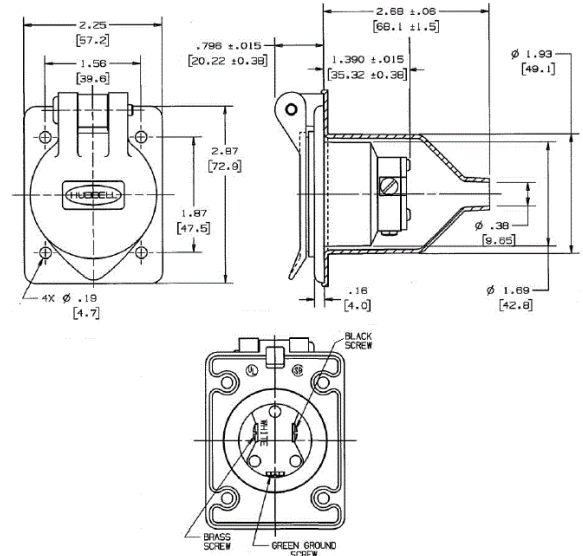
UL Listed, File E2186
Certified to CSA, C22.2, No. 42
NEMA® WD-6 Compliant

Specifications

Base	Nylon
Power Contacts	.040" (1.0) Brass
Terminal Screws	#8-32 Brass, Multiple Drive
Mounting Screw	Stainless steel

Performance

Electrical	
Current Interrupting	Certified for current interrupting at full rated current
Dielectric Voltage	Withstands 2,000V minimum
Mechanical	
Product Identification	Ratings are a permanent part of the device
Terminal Accommodation	#14-#10 AWG copper stranded or solid conductor only
Terminal Identification	Terminals identified in accordance with UL 498 and CSA
Environmental	
Flammability	UL 94 V-2
Operating Temperatures	Maximum continuous 75°C; minimum -40°C (w/o impact)



Resources

Customer Use Drawing
eCatalog

Dimensions in Inches (mm)

Hubbell Wiring Device-Kellems • Hubbell Incorporated (Delaware) • 40 Waterview Drive • Shelton, CT 06484

Phone (800) 288-6000 • Fax (800) 255-1031 • Specifications subject to change without notice.

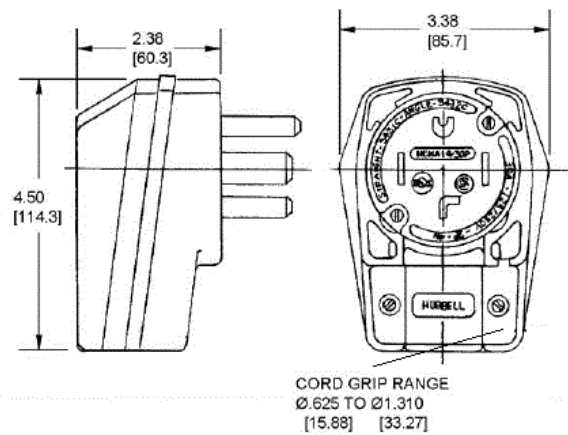


Straight Blade Devices
50A, 125/250V, 3 Pole, 4 Wire Grounding
Plug

HUBBELL

Ordering Information

Description	Cord Diameter	UPC	Catalog Number
Plug, nylon, angle, 4-position	.625"-1.310" (15.9-33.3)	783585015330	HBL9452C



Resources

[Customer Use Drawing](#)
[eCatalog](#)

Twist-Lock® Devices
 30A, 3 Phase 250V AC, 3 Pole, 4 Wire
 Grounding
 Watertight Safety-Shroud® Plug

HUBBELL

Features

- Impact resistant shroud protects blades against bending and breaking.
- Reduces exposure to arcing when connecting or disconnecting under load.
- Superior cord grip design protects terminations from excess strain.



30A 3Ø 250V AC
 NEMA L15-30P
 UL/CSA
 3 HP



Ordering Information

Description	Cord Diameter	UPC	Catalog Number
Black PBT housing, white PBT clamps.	.350"-1.150" (9-29)	783585231846	HBL2721SW

Listings

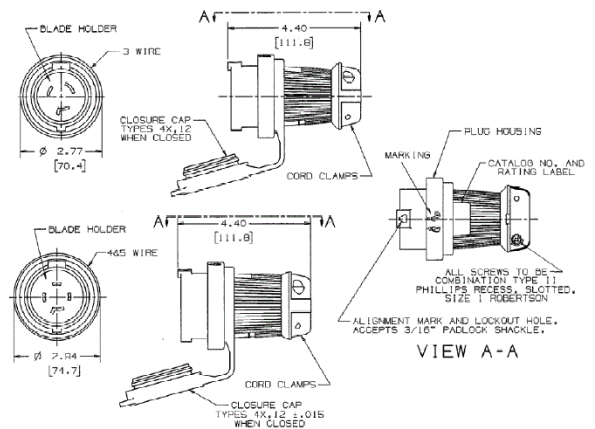
Listed to UL 498
 Fed.Spec. W-C-596
 Certified to CSA C22.2 No.42
 UL Listed, CSA Certified to Type 4, 4X and Type 12

Specifications

Housing / Cord Clamp	PBT
Terminal Retainer	Clear polycarbonate
Blades	Brass
Terminal Screws	#10-32 Brass (Phillips / Slotted / Robertson)
Terminal Clamp	Cold rolled steel – nickel plated
Assembly Screws	Stainless Steel
Watertight Gland	Neoprene
Closure Plug	Santoprene

Performance

Electrical	
Current Interrupting	Certified for current interrupting at full rated current
Dielectric Voltage	Withstands 2,000V minimum
Mechanical	
Terminal Accommodation	#16 AWG - #8 AWG stranded copper wire only.
Terminal Identification	Terminals identified in accordance with UL 498
Environmental	
Flammability	V0 per UL94 or CSA 22.2 No.0.17
Moisture Resistance	Type 4, 4X, 12, IP66 suitability
Operating Temperatures	Maximum Continuous 75°C; Minimum -40°C (w/o impact)



Accessories

Watertight Safety Shroud Connector	HBL2723SW
Watertight Safety Shroud Receptacle	HBL2720SW

Resources

Customer Use Drawing
 eCatalog

Dimensions in Inches (mm)

Hubbell Wiring Device-Kellems • Hubbell Incorporated (Delaware) • 40 Waterview Drive • Shelton, CT 06484

Phone (800) 288-6000 • Fax (800) 255-1031 • Specifications subject to change without notice.



Kellems® Wire Management Products
Strain Relief Grips
Deluxe Cord Grips

HUBBELL

Features

- Stainless steel mesh is corrosion resistant
- Multiweave grip gives cable arc-of-bend control
- Endless weave provides easy cable/flexible conduit installation

Ordering Information

Description	Form Size	UPC	Catalog Number
Straight Male Thread, Stainless Steel Mesh, Liquidtight	F4	783585330334	074011195

Listings

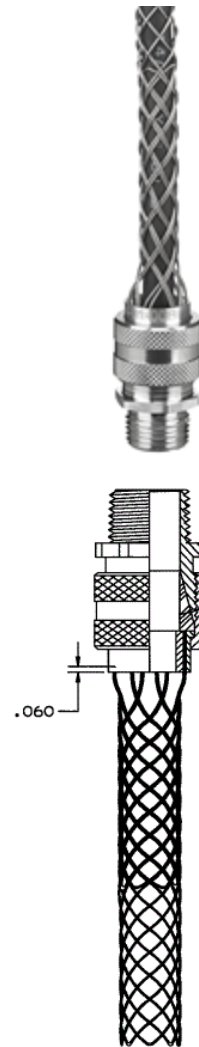
UL Listed
CSA Certified

Specifications

Strand	Stainless Steel
Body	Aluminum
Nut	Aluminum
Bushing	Neoprene

Performance

Environmental	
Flammability	UL 94HB (Strand grip), UL 94V-2(Fitting)
Hazardous Locations	Suitable for use in hazardous locations per Class I Div. 2, Class II Div. 1 & 2, Class III Div. 1 & 2 N.E.C
Operating Temperatures	-30°F to +240°F (-34°C to +115°C)
Wet Locations	Suitable for use in wet locations when used with a listed sealing ring between box and fitting



Online Resources

Customer Use Drawing
eCatalog
Installation Instructions

Dimensions in Inches (mm)

Hubbell Wiring Device-Kellems • Hubbell Incorporated (Delaware) • 40 Waterview Drive • Shelton, CT 06484

Phone (800) 288-6000 • Fax (800) 255-1031 • Specifications subject to change without notice.



Twist-Lock® Devices
 30A, 3 Phase 250V AC, 3 Pole, 4 Wire
 Grounding
 Watertight Safety-Shroud® Receptacle

HUBBELL

Features

- High impact, thermoplastic housing for heavy-duty industrial environments
- Alignment arrows with lock and unlock symbols provide a visual indication that devices are properly connected
- Catalog number and color coded voltage rating are visible even when in use



30A 3Ø 250V AC
 NEMA L15-30R
 UL/CSA
 3 HP



Ordering Information

Description	Device Color	UPC	Catalog Number
PBT housing and flange.	Gray	783585231822	HBL2720SW

Listings

Listed to UL 498
 Fed.Spec. W-C-596
 Certified to CSA C22.2 No.42
 UL Listed, CSA Certified to Type 4, 4X and Type 12

Specifications

Housing / Cover	Gray RPT
Terminal Retainer	Clear polycarbonate
Body Contact Carrier	Natural (white) nylon
Drive Screws	Steel, zinc plated
Contacts	Brass
Lift-Cover Spring & Pin	Stainless Steel

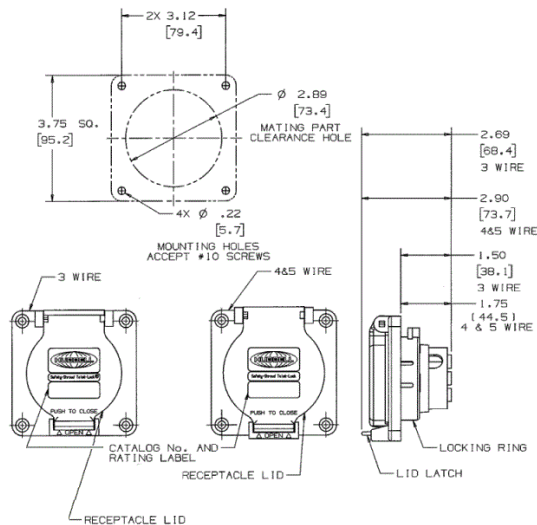
Performance

Electrical	
Current Interrupting	Certified for current interrupting at full rated current
Dielectric Voltage	Withstands 2,000V minimum

Mechanical	
Terminal Accommodation	#16 AWG - #8 AWG solid or stranded copper wire only.

Terminal Identification	Terminals identified in accordance with UL 498
-------------------------	--

Environmental	
Flammability	V2 or better per UL94/CSA 22.2 No.0.17
Moisture Resistance	IP20 Suitability
Operating Temperatures	Maximum Continuous 75°C; Minimum -40°C (w/o impact)



Accessories

Watertight Safety Shroud Plug	HBL2721SW
Non-Metallic Backbox	BB2030N
2-Gang Weatherproof Box	HBL2030AP
Adapter Plate	
Mechanical Interlock	HBLMITL

Resources

Customer Use Drawing
 eCatalog

Dimensions in Inches (mm)

Hubbell Wiring Device-Kellems • Hubbell Incorporated (Delaware) • 40 Waterview Drive • Shelton, CT 06484

Phone (800) 288-6000 • Fax (800) 255-1031 • Specifications subject to change without notice.



Wallplates
Weatherproof Covers for Receptacles
For FS/FD Box Mounting

HUBBELL

Ordering Information

Description	UPC	Catalog Number
For receptacles with face diameters of 2.09-2.13" (53.1-54.1), suitable for damp locations and wet locations only when cover is closed	783585809564	HBL9420

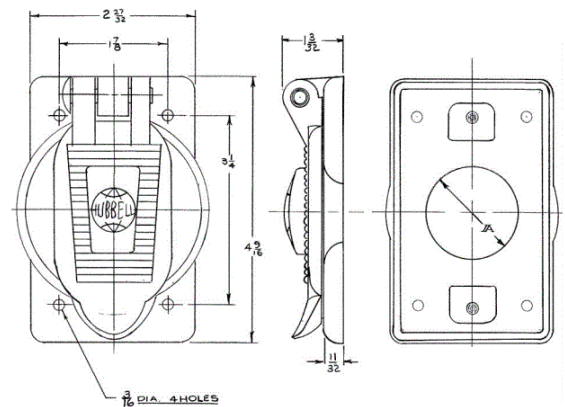


Listings

UL Listed - Canadian and U.S.

Specifications

Material	Aluminum
Gasket	Neoprene
Spring	Stainless steel
Hinge Pin	Stainless steel
Mounting Screws	Stainless steel



Online Resources

Customer Use Drawing
eCatalog

Dimensions in Inches (mm)

Hubbell Wiring Device-Kellems • Hubbell Incorporated (Delaware) • 40 Waterview Drive • Shelton, CT 06484

Phone (800) 288-6000 • Fax (800) 255-1031 • Specifications subject to change without notice.



Straight Blade Devices 15A, 125V, 2 Pole, 3 Wire Grounding Hospital Grade Valise® Connector Bodies

HUBBELL

Features

- Hinged one piece body design for easy assembly
- Powerful, offsetting cord grips clamp on individual conductors

Ordering Information

Description	Cord Diameter	UPC	Catalog Number
White nylon	.300"-.660" (7.6-16.8)	783585015798	HBL8119V



Listings

UL Listed to UL498 File No. E2186
Certified to CSA, C22.2, No. 42 File 285
Fed. Spec. W-C-596
NEMA® WD-6 Compliant

Resources

[eCatalog](#)

Specifications

Housing	Nylon
Blades	Brass
Assembly Screws	Plated Steel
Cable Inserts	PPO

Performance

Electrical

Current Interrupting	Certified for current interrupting at full rated current
Dielectric Voltage	Withstands 2000V AC minimum

Mechanical

Product Identification	Ratings are a permanent part of the device
Terminal Accommodation	#16 to #12 AWG
Terminal Identification	Terminals identified in accordance with UL 498 and CSA

Environmental

Flammability	UL 94 HB
IP Suitability	IP20
Operating Temperatures	Maximum continuous 75°C; minimum -40°C (w/o impact)

Dimensions in Inches (mm)

Hubbell Wiring Device-Kellems • Hubbell Incorporated (Delaware) • 40 Waterview Drive • Shelton, CT 06484

Phone (800) 288-6000 • Fax (800) 255-1031 • Specifications subject to change without notice.



Straight Blade Devices
 15A, 125V, 2 Pole, 3 Wire Grounding
 HBL® Extra Heavy Duty Specification
 Grade Single Receptacle

HUBBELL

Features

- One-piece nickel plated brass integral ground strap
- Unique bypass contact design

Ordering Information

Description	Device Color	UPC	Catalog Number
Weather and corrosion resistant	Yellow	783585808260	HBL52CM61

Listings

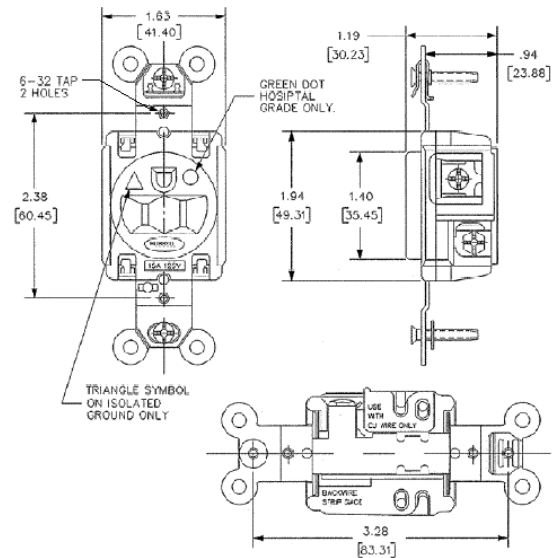
UL Listed to UL498 File No. E2186
 Certified to CSA 22.2, No. 42 File 285
 Fed. Spec. W-C-596
 NEMA® WD-6 Compliant

Specifications

Face	Nylon
Base	PBT
Power Contacts	.037 in. (.9) Nickel plated brass
Ground Contact	Brass
Mounting Strap	.050" (1.3) Nickel plated brass
Auto Self-grounding Clip	Stainless steel
Mounting Screws	Stainless steel

Performance

Electrical	
Current Interrupting	Certified for current interrupting at full rated current
Dielectric Voltage	Withstands 2,000V minimum
Mechanical	
Product Identification	Ratings are a permanent part of the device
Terminal Accommodation	#14-#10 AWG copper stranded or solid conductor only
Terminal Identification	Terminals identified in accordance with UL 498 and CSA
Environmental	
Flammability	Top: UL 94V-2, Base: UL 94V-0
Operating Temperatures	Maximum continuous 75°C; minimum -40°C (w/o impact)



Accessories

Wallplate or Weatherproof Cover 1.40" Opening

Resources

Customer Use Drawing
 eCatalog

Dimensions in Inches (mm)

Hubbell Wiring Device-Kellems • Hubbell Incorporated (Delaware) • 40 Waterview Drive • Shelton, CT 06484

Phone (800) 288-6000 • Fax (800) 255-1031 • Specifications subject to change without notice.



Kellems® Wire Management Products
Hubbell Juniors® Miniature Connectors
Cord Connectors

HUBBELL

Features

- Miniature nylon cord connector
- Available in gray or black



Ordering Information

Description	Device Color	UPC	Catalog Number
Miniature Nylon Cord Connector	Gray	783585022925	HJ1003GPK25

Listings

UL Listed
CSA Certified

Online Resources

[eCatalog](#)

Specifications

Material	Nylon
Packaging	Bulk packed 25 per carton
NPT Hub Size	1/4 Inch
Cord Diameter Range Inches (mm)	.20"-.27" (5.1-6.7)

Performance

Environmental	
Flammability	Hubbell Juniors have a UL 94V-2 rating
Operating Temperature	-30°F to +225°F (-34°C to +107°C)

Dimensions in Inches (mm)

Hubbell Wiring Device-Kellems • Hubbell Incorporated (Delaware) • 40 Waterview Drive • Shelton, CT 06484

Phone (800) 288-6000 • Fax (800) 255-1031 • Specifications subject to change without notice.



Straight Blade Devices 15A, 250V, 2 Pole, 3 Wire Grounding Flanged Receptacles

HUBBELL

Features

- Impact resistant thermoplastic construction
- Backwired terminations for ease of installation
- #8-32 Multiple drive terminal screws
- Mounting screws included

Ordering Information

Description	Device Color	UPC	Catalog Number
Nylon casing, back wired.	White	783585176000	HBL5679C

Listings

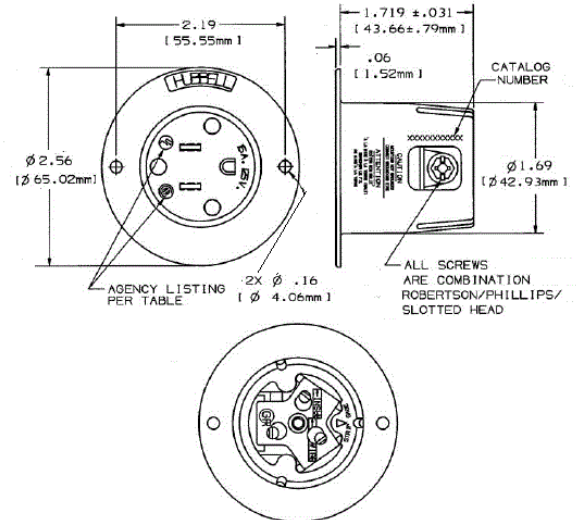
UL Listed, File E2186
Certified to CSA, C22.2, No. 42
NEMA® WD-6 Compliant

Specifications

Housing	Nylon
Terminal Retainer	Clear polycarbonate
Contacts	Brass
Terminal Screws	#8-32 Brass, Multiple Drive
Terminal Clamp	Cold rolled steel – nickel plated
Assembly Screws	Steel - nickel plated
Mounting Screws	Nickel plated brass

Performance

Electrical	
Current Interrupting	Certified for current interrupting at full rated current
Dielectric Voltage	Withstands 2,000V minimum
Mechanical	
Product Identification	Ratings are a permanent part of the device
Terminal Accommodation	#18-#10 AWG copper stranded or solid conductor only
Terminal Identification	Terminals identified in accordance with UL 498 and CSA
Environmental	
Flammability	UL 94 V-2
Operating Temperatures	Maximum continuous 75°C; minimum -40°C (w/o impact)



Accessories

Weatherproof Lift Cover	WP1
-------------------------	-----

Resources

Customer Use Drawing
eCatalog

Dimensions in Inches (mm)

Hubbell Wiring Device-Kellems • Hubbell Incorporated (Delaware) • 40 Waterview Drive • Shelton, CT 06484

Phone (800) 288-6000 • Fax (800) 255-1031 • Specifications subject to change without notice.





Ordering Information

Description	Product Type	UPC	Catalog Number
Locknuts, Zinc-Plated Steel	Accessory	783585506234	00322002LPK50

Online Resources

[eCatalog](#)

Specifications

Accessory Type	Locknuts
Packaging	Bulk packed 50 per carton
Thickness Inches (mm)	.11" (2.8)

Midget Twist-Lock® Devices
 15A, 125V AC, 2 Pole, 3 Wire Grounding
 Flanged Inlet

HUBBELL

Features

- Fully Insulated nylon casing with integral flange
- Black color blends in with equipment



Ordering Information

Description	Terminals	UPC	Catalog Number
Black nylon flanged inlet.	Exposed	783585237800	HBL7595N

Listings

Listed to UL 498
 Certified to CSA C22.2 No.42

Specifications

Flange	Nylon
Base	Nylon
Blades	Bronze
Terminal Screws	#5-40 Brass

Performance

Electrical

Current Interrupting Certified for current interrupting at full rated current
 Dielectric Voltage Withstands 2,000V minimum

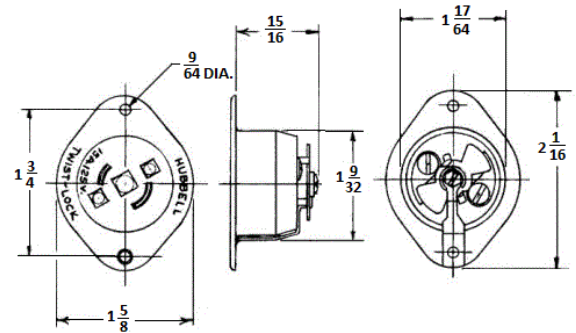
Mechanical

Terminal Accommodation #18 AWG - #14 AWG solid or stranded copper wire only.

Terminal Identification Terminals identified in accordance with UL 498

Environmental

Flammability HB or better per UL94/CSA 22.2 No.0.17
 Moisture Resistance IP20 Suitability
 Operating Temperatures Maximum Continuous 75°C; Minimum -40°C (w/o impact)



Accessories

Valise® Connector	HBL7593V
Connector	HBL77593
Angled Connector	HBL7571

Resources

Customer Use Drawing
 eCatalog

Dimensions in Inches (mm)

Hubbell Wiring Device-Kellems • Hubbell Incorporated (Delaware) • 40 Waterview Drive • Shelton, CT 06484

Phone (800) 288-6000 • Fax (800) 255-1031 • Specifications subject to change without notice.

