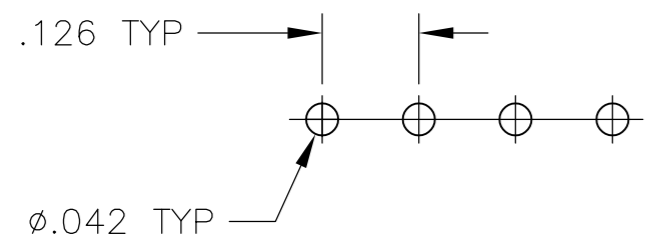
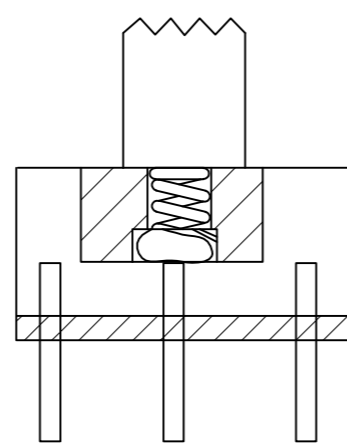
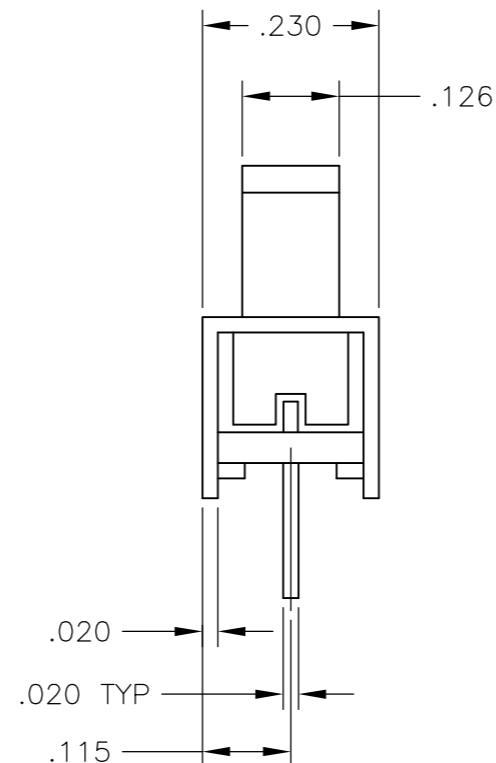
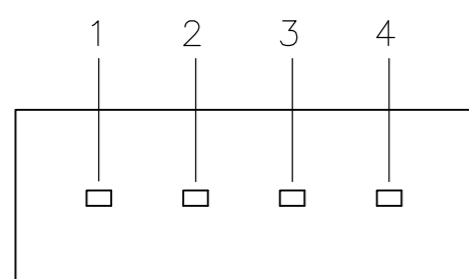
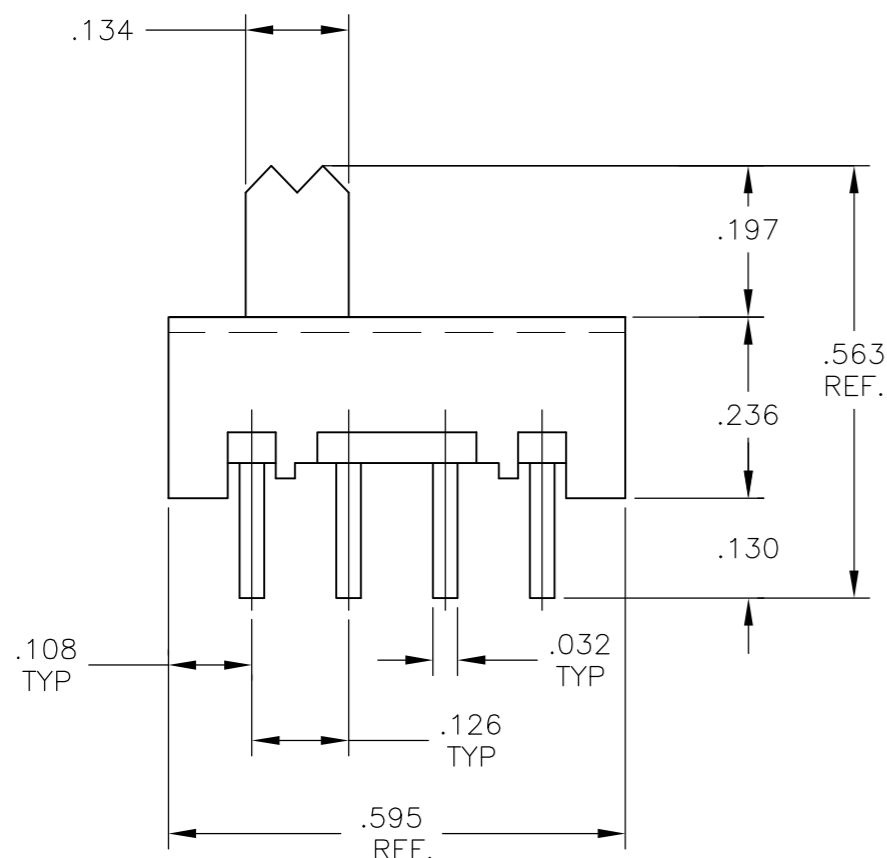
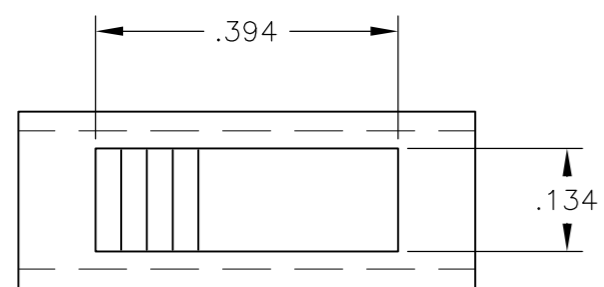


THIS DRAWING IS UNPUBLISHED. RELEASED FOR PUBLICATION
 © COPYRIGHT BY TYCO ELECTRONICS CORPORATION. ALL RIGHTS RESERVED.

LOC	DIST	REVISIONS			
P	LTR	DESCRIPTION	DATE	DWN	APVD
AD	00	A1	REVISED PER ECO-09-020130	02SEP09	HMR MW



RECOMMENDED HOLE LAYOUT

SPECIFICATIONS:
 BREAK BEFORE MAKE

MATERIALS:

FRAME: STEEL,ZINC PLATE
 ACTUATOR PBT,UL94HB,BLACK
 TERMINAL/FIXED CONTACT: COPPER ALLOY, AG OVER NI OR AU OVER NI PLATE.
 TERMINAL BOARD: PHENOLIC, UL94HB
 COIL SPRING: CARBON STEEL WIRE
 ELECTRICAL:
 CONTACT RATING, 250MILLIAMP @ 25V AC, 150MILLIAMP @ 12V DC
 CONTACT RESISTANCE, 30 MILLIOHMS MAX (INITIAL), 60 MILLIOHMS AFTER TEST
 INSULATION RESISTANCE: 500 MEGOHMS MIN.
 DIELECTRIC STRENGTH: 500 VOLTS RMS @ SEA LEVEL
 LIFE EXPECTANCY: 10,000 CYCLES MIN. NO LOAD 6,000 AT RATED CURRENT.

MECHANICAL:

ACTUATION FORCE, 250 +150/-100 GRAMS
 TRAVEL, .126 (3.20)

ENVIRONMENTAL:

OPERATING TEMPERATURE: -10°C TO +85°C
 STORAGE TEMPERATURE: -10°C TO +85°C
 RESISTANCE TO SOLDER HEAT, 260°C FOR 10 SEC PER 109-202, CONDITION B
 SOLDERABILITY PER EIA-364-52, CLASS 2 CAT.1 95% COVERAGE

NOTE:

- ALL MATERIALS AND FINISHES SHALL COMPLY WITH EU DIRECTIVE 2002/95/EC OF 27 JAN2003 (ROHS)
- ALL PERFORMANCE SPECIFICATIONS WERE TESTED IN ACCORDANCE WITH JIS-C-5441 UNLESS OTHERWISE STATED.

1-2	2-3	3-4	SLS131PC04	1825117-1
LEFT	MID	RIGHT		
ACTUATOR POSITION			ALCO PART NO.	TE PART NO.

THIS DRAWING IS A CONTROLLED DOCUMENT.		DWN 02MAR2005 B S VISWESWARA	Tyco Electronics Corporation Harrisburg, Pa 17105-3608	
DIMENSIONS: INCHES	TOLERANCES UNLESS OTHERWISE SPECIFIED:	CHK M S SARVER	NAME	
	0 PLC ± - 1 PLC ± - 2 PLC ± - 3 PLC ± .010 4 PLC ± - ANGLES ± -	APVD -	PRODUCT SPEC -	
MATERIAL SEE TABLE	FINISH -	APVD -	APPLICATION SPEC -	
		WEIGHT -	SIZE A2	CAGE CODE 00779
		CUSTOMER DRAWING	DRAWING NO. 1825117	
			RESTRICTED TO -	
			SCALE 4:1	SHEET 1 OF 1
			REV A1	

1825117

B

A