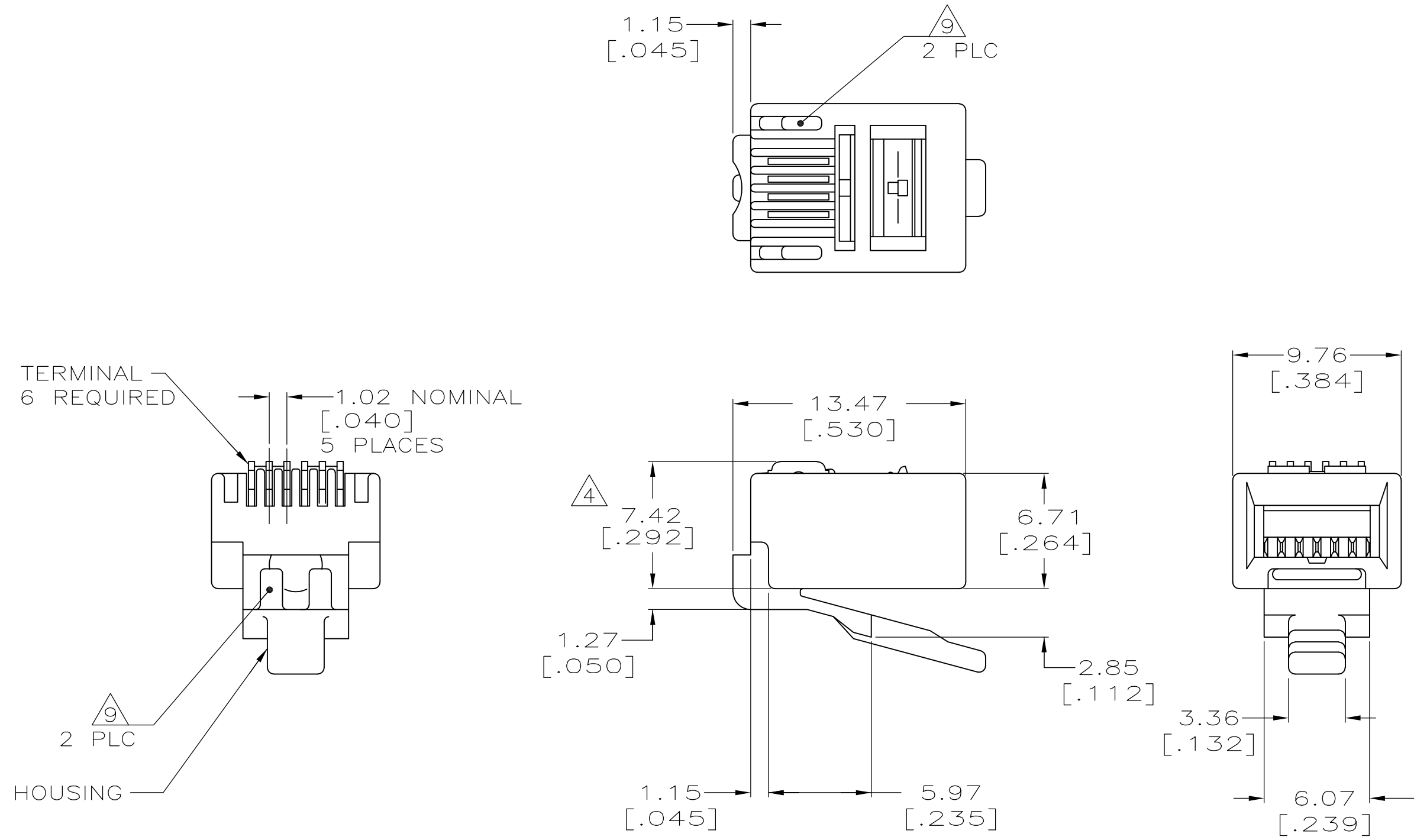


THIS DRAWING IS UNPUBLISHED. RELEASED FOR PUBLICATION
 © COPYRIGHT BY TYCO ELECTRONICS CORPORATION. ALL RIGHTS RESERVED.

LOC	DIST	REVISIONS					
HM	00	P	LTR	DESCRIPTION	DATE	DWN	APVD
		N		OBS -1, REV ECO-07-021025	12DEC07	LH	BM
		P		REV ECO-08-004066	21FEB08	LH	BM

- ① DIMENSIONS ARE MAXIMUM UNLESS OTHERWISE SPECIFIED.
- ② MATERIAL: HOUSING—POLYCARBONATE,CLEAR. TERMINAL—0.36[.014] THICK PHOSPHOR BRONZE PLATED WITH 1.27μm[.000050] THICK GOLD IN LOCALIZED GOLD PLATE AREA, GOLD FLASH OVER THE REMAINDER, OVER 2.54μm[.000100] THICK NICKEL UNDERPLATE.
- ③ PLUG WILL ACCEPT 24 OR 26 AWG SOLID WIRE HAVING AN INSULATION DIAMETER RANGE OF 0.89–0.99[.035–.039] AND A MAXIMUM OVAL CABLE JACKET OF 2.29 X 6.61 [.09 X .260].
- ④ TERMINATED DIMENSION 6.15[.242] MAXIMUM.
- ⑥ 1000 ASSEMBLIES PER PACKAGE.
- ⑦ 100 ASSEMBLIES PER PACKAGE.
- ⑧ 25 ASSEMBLIES PER PACKAGE
- ⑨ REELED PRODUCT ON STRIP DOES NOT HAVE VOID CORING ILLUSTRATED ON THIS DRAWING.



⑧ ③	5-555042-4
⑦ ③	5-555042-3
⑥ ③	5-555042-2
OBSELETE ③ ③ ③ ③	555042-1
PACKAGED	PART NO.

THIS DRAWING IS A CONTROLLED DOCUMENT.		DWN	L. HALL	12DEC2007	Tyco Electronics Corporation Harrisburg, PA 17105-3608	
DIMENSIONS: INCHES		CHK	B. MCNEILL	12DEC2007		
TOLERANCES UNLESS OTHERWISE SPECIFIED:		APVD	B. MCNEILL	12DEC2007		
0 PLC ± - 1 PLC ± - 2 PLC ± - 3 PLC ± - 4 PLC ± - ANGLES ± - FINISH -		NAME	MODULAR PLUG ASSEMBLY, 6 POSITION, SOLID WIRE			
① ②		PRODUCT SPEC	108-1163		RESTRICTED TO	
MATERIAL -		APPLICATION SPEC	114-6016			
		WEIGHT	-			
		CUSTOMER DRAWING	SCALE	4:1	SHEET 1 of 1	
			SIZE	A2	CAGE CODE	00779
			DRAWING NO	C=555042		
			REV	P		