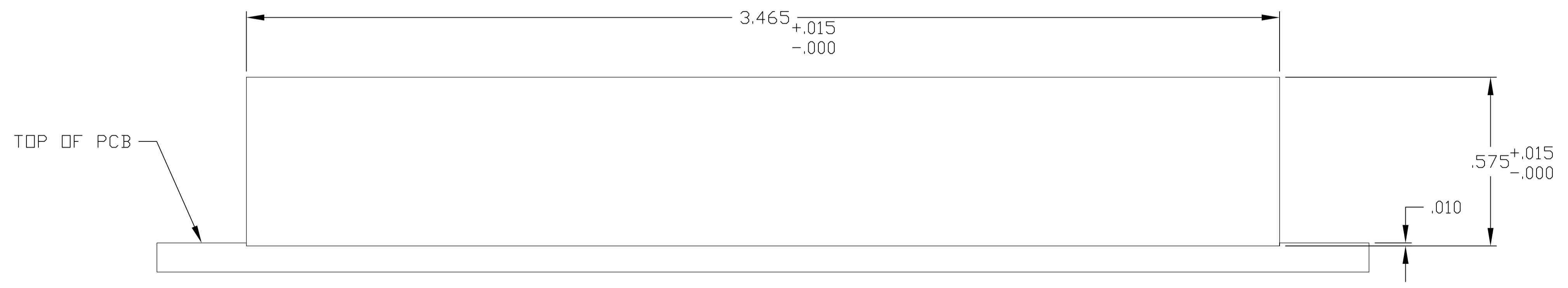
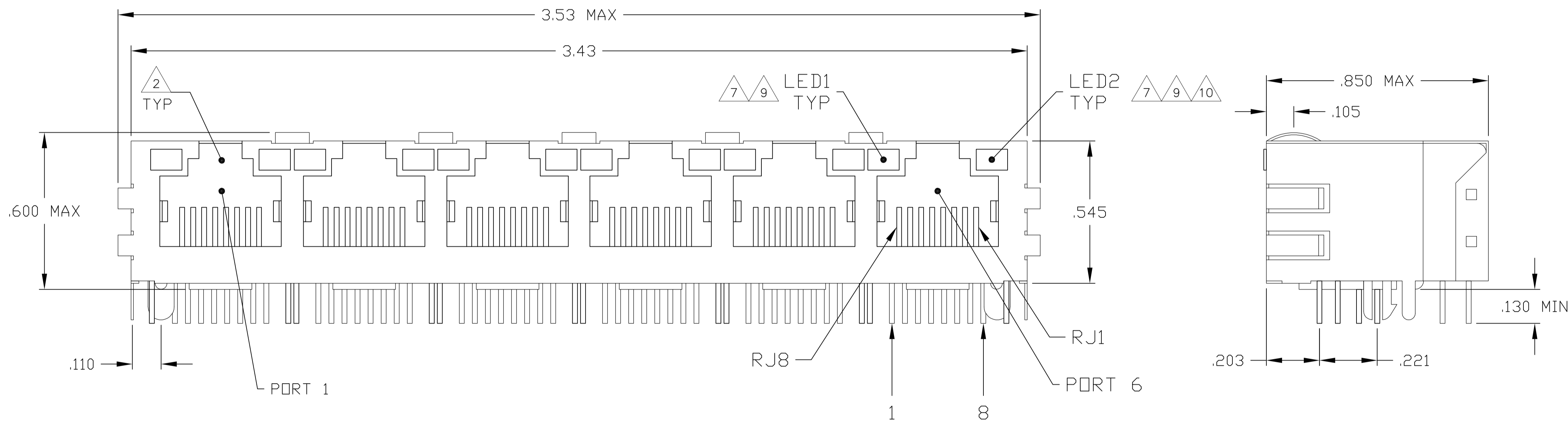
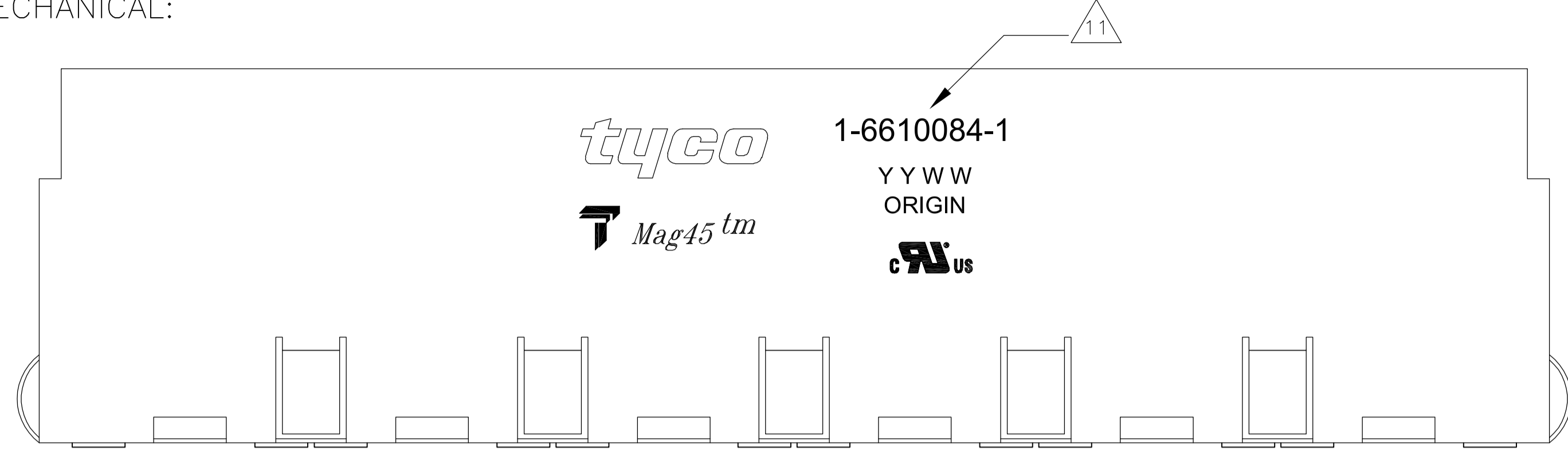


MECHANICAL:



1X6 SUGGESTED PANEL CUTOUT

- 1 MATERIALS:
 -HOUSING - THERMOPLASTIC PET POLYESTER FLAMMABILITY RATING UL 94V-0.
 -SHIELD - .010" THICK, C26800 BRASS PREPLATED WITH 30μINCH MIN SEMI-BRIGHT NICKEL SOLDER TABS POST DIPPED WITH 100μINCH MIN SAC SOLDER.
 -MOD JACK CONTACTS - 0.0157 X 0.018" PHOSPHOR BRONZE, 50μINCH MIN OVERALL NICKEL UNDERPLATE WITH SELECT 50μINCH MIN HARD GOLD FINISH PLATE.
 -SOLDERTAILS WITH 100μINCH MIN MATTE TIN AND/OR SAC SOLDER DIP.
 -LIGHT EMITTING DIODE(LED) - DIFFUSED EPOXY LENS, .020" X .020" CARBON STEEL WIREFRAME LEADS PRE-PLATED WITH 80μINCH SILVER OVER 40μINCH NICKEL UNDERPLATE OVER 40μINCH COPPER UNDERPLATE. POST-PLATED WITH 100μIN MIN MATTE TIN AND/OR SAC SOLDER DIP OR PURE TIN SOLDER DIP.
- 2 RJ45 JACK CAVITY CONFORMS TO FCC RULES AND REGULATIONS PART 68, SUB PART F.
- 3 MAGNETICS
 -IMPEDANCE: 100 OHMS
 -TURNS RATIO (CHIP-CABLE): TX = 1:1, RX = 1:1
 -OPEN CIRCUIT INDUCTANCE (OCL): 350mH MIN @100kHz, 0.1VRMS, 8mADC BIAS FROM 0°C TO 70°C, TX AND RX
 -PERFORMANCE @ 25°C:
 INSERTION LOSS (IL): 1.1dB MAX FROM 0.5MHz TO 100MHz
 RETURN LOSS (RL): 18dB MIN FROM 0.5MHz TO 30MHz
 18-20LOG(f/30)dB MIN FROM 30.1MHz TO 60MHz
 12dB MIN FROM 60.1MHz TO 80MHz
 CROSSTALK ATTENUATION: 35dB MIN FROM 0.5MHz TO 40MHz
 33-20*LOG(f/50)dB MIN FROM 40.1MHz TO 100MHz
 COMMON MODE REJECTION RATIO (CMRR): 30dB MIN FROM 0.5MHz TO 100MHz
 -ISOLATION VOLTAGE: COMPLIES WITH IEEE802.3 2002, PARA 23.5.1.1, ITEM a or b.
- 4 C1 IS AN OPTIONAL 1000pF, 2KV DECOUPLING CAPACITOR.
- 5. OPERATING TEMPERATURE: FROM 0°C TO +70°C.
- 6 R1-R4 = 75 OHMS, 1/16 W, 5%.
- 7 LED COMPLIANT WITH IEC60825-1 SAFETY OF LASER PRODUCTS. WHEN OPERATED UP TO 20 mA. THE 250 OHM RESISTOR IS INCLUDED.
- 8 INDICATED CONNECTIONS ARE FOR A HUB CONFIGURATION. THE MAGNETICS ARE ASYMMETRICAL AND DO NOT SUPPORT AUTO-MDIX.
- 9 GREEN LED PEAK WAVELENGTH(λ)=565nm.
- 10 YELLOW LED PEAK WAVELENGTH(λ)=585nm.
- 11 TRADEMARK, PART NUMBER, DATE CODE, COUNTRY OF ORIGIN AND AGENCY APPROVAL MARKING IN APPROXIMATE LOCATION SHOWN.

YES	GREEN	YELLOW	5-6610084-1
NO	GREEN	GREEN	1-6610084-1
DECOUPLING CAPACITOR 4	LED1	LED2	PART NUMBER

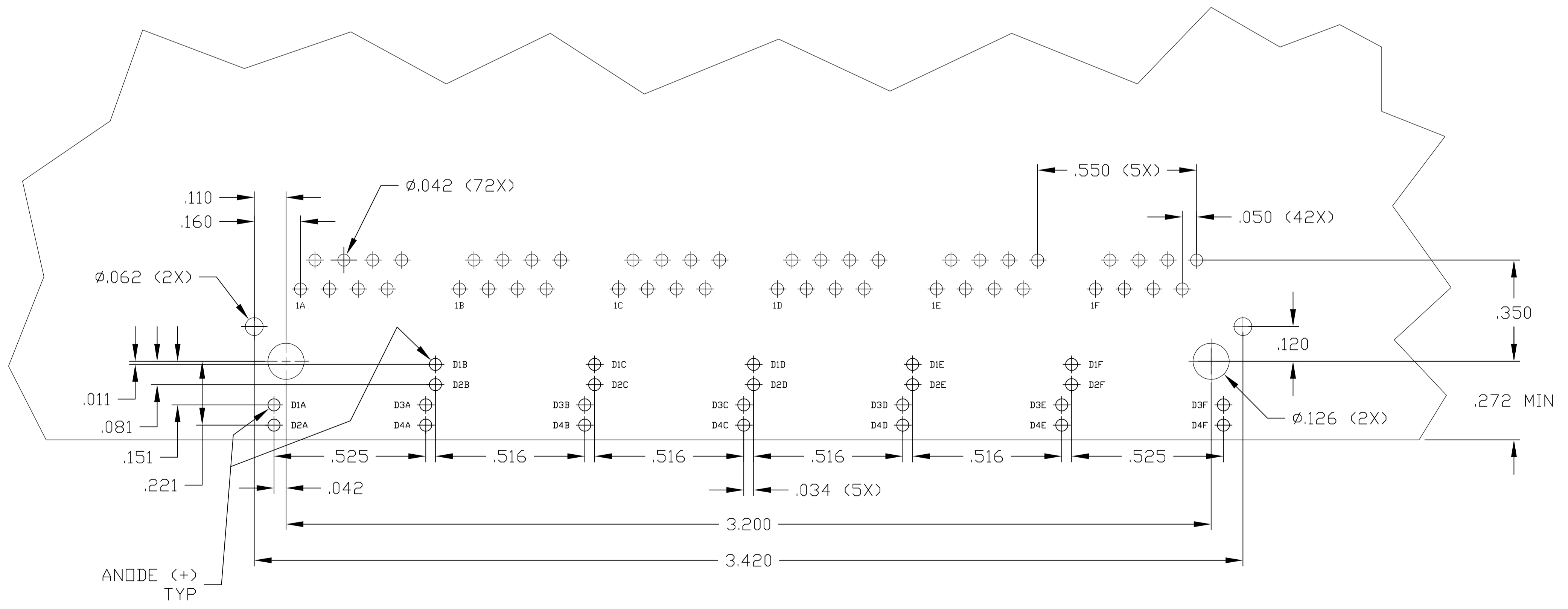
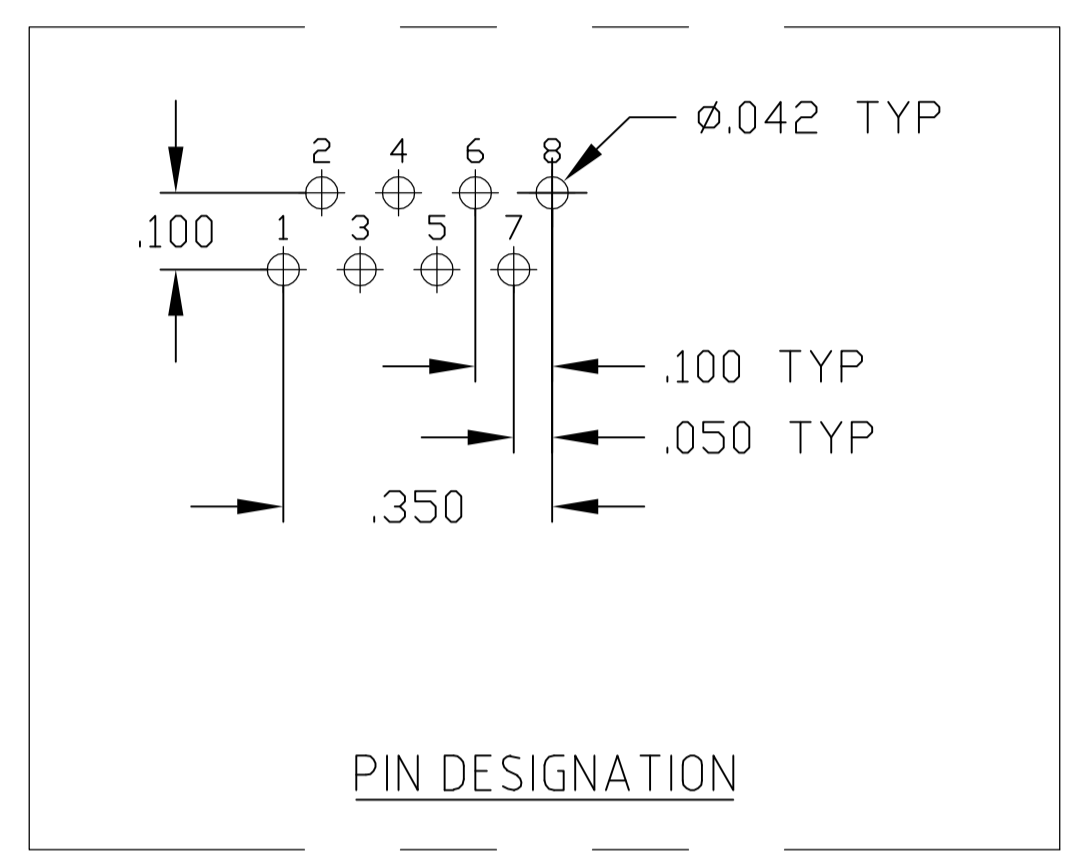
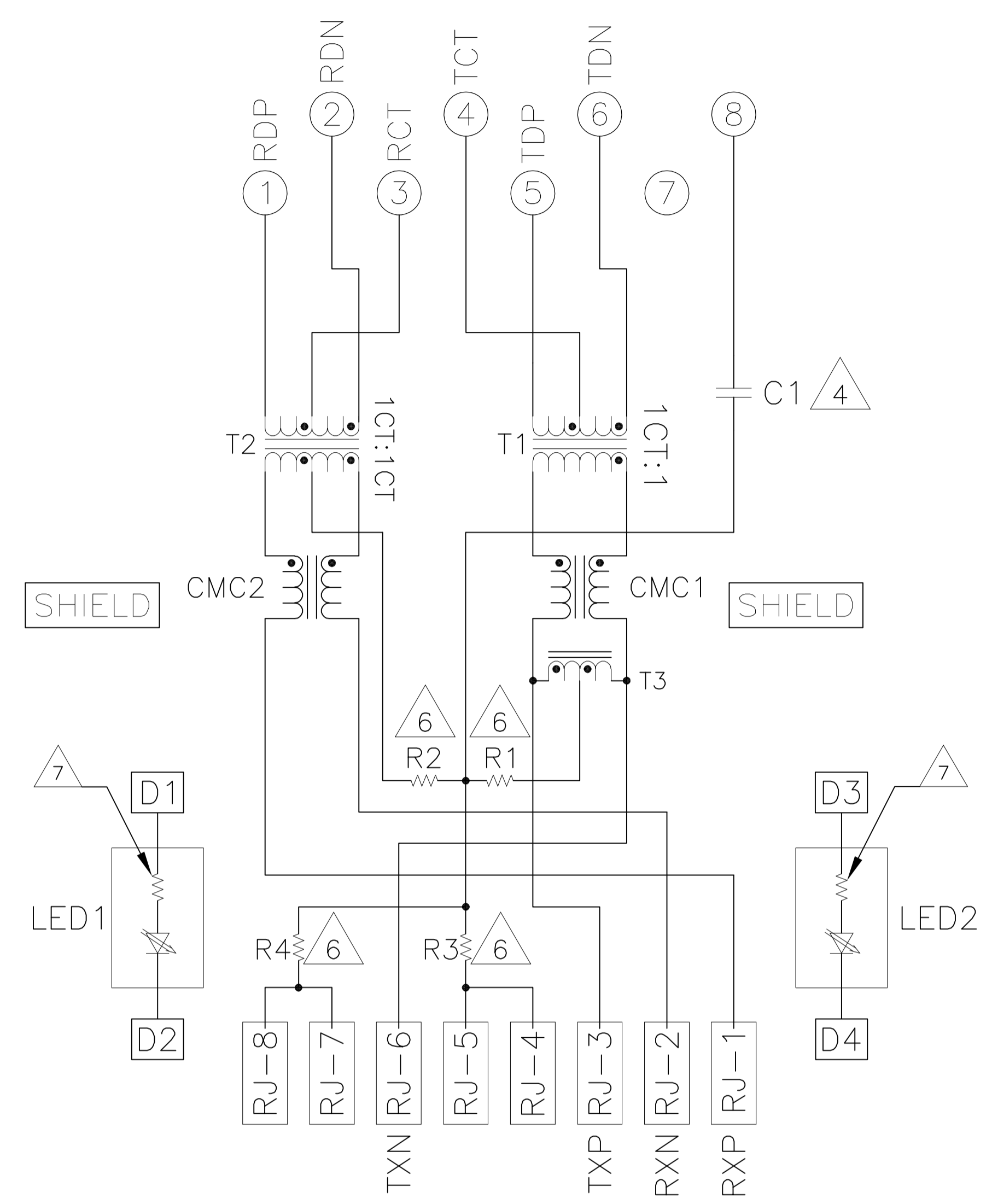
THIS DRAWING IS A CONTROLLED DOCUMENT.

DIMENSIONS: INCHES	TOLERANCES UNLESS OTHERWISE SPECIFIED:	0 PLC ± -	1 PLC ± -	2 PLC ± .010	3 PLC ± .005	4 PLC ± -	ANGLES ± -	FINISH 1
--------------------	--	-----------	-----------	--------------	--------------	-----------	------------	----------

REV	DATE	BY	CHK	APP'D	NAME
1	17MAR2005	L VARELA	D FAROLE	D FAROLE	D FAROLE

Tyco Electronics Corporation
 Harrisburg, PA 17105-3608
 Tyco Electronics
 1X6 MAG45(TM) MODULAR JACK, 7H5 SCHEMATIC, 54 SERIES CIRCUIT, OPTIONAL DECOUPLING CAPACITOR, SHIELDED, WITH RESISTOR LEADS
 108-2100
 SIZE: A1 CAGE CODE: 00779 DRAWING NO: 6610084
 WEIGHT: -
 CUSTOMER DRAWING SCALE: 4:1 SHEET: 1 OF 2 REV: A

754 SERIES MAGNETIC CIRCUIT



SUGGESTED PCB LAYOUT
(Component Side)

THIS DRAWING IS A CONTROLLED DOCUMENT.		DIN L VARELA - 17MAR2005		Tyco Electronics Corporation Harrisburg, PA 17105-3608
DIMENSIONS: INCHES		CHK D FAROLE 17MAR2005		NAME: 1X6 MAG45(TM) MODULAR JACK, 7H5 SCHEMATIC, 54 SERIES CIRCUIT, OPTIONAL DECOUPLING CAPACITOR, SHIELDED, WITH RESISTOR LEADS
TOLERANCES UNLESS OTHERWISE SPECIFIED:		APP'D D FAROLE 17MAR2005	PRODUCT SPEC: 108-2100	RESTRICTED TO:
0. PLC ± -			APPLICATION SPEC: -	SIZE: A1
1. PLC ± -			WEIGHT: -	CAGE CODE: 00779
2. PLC ± .010				DRAWING NO: 6610084
3. PLC ± .005				SCALE: 4:1
4. PLC ± -				SHEET 2 OF 2
ANGLES ± -				REV A
MATERIAL: -				CUSTOMER DRAWING