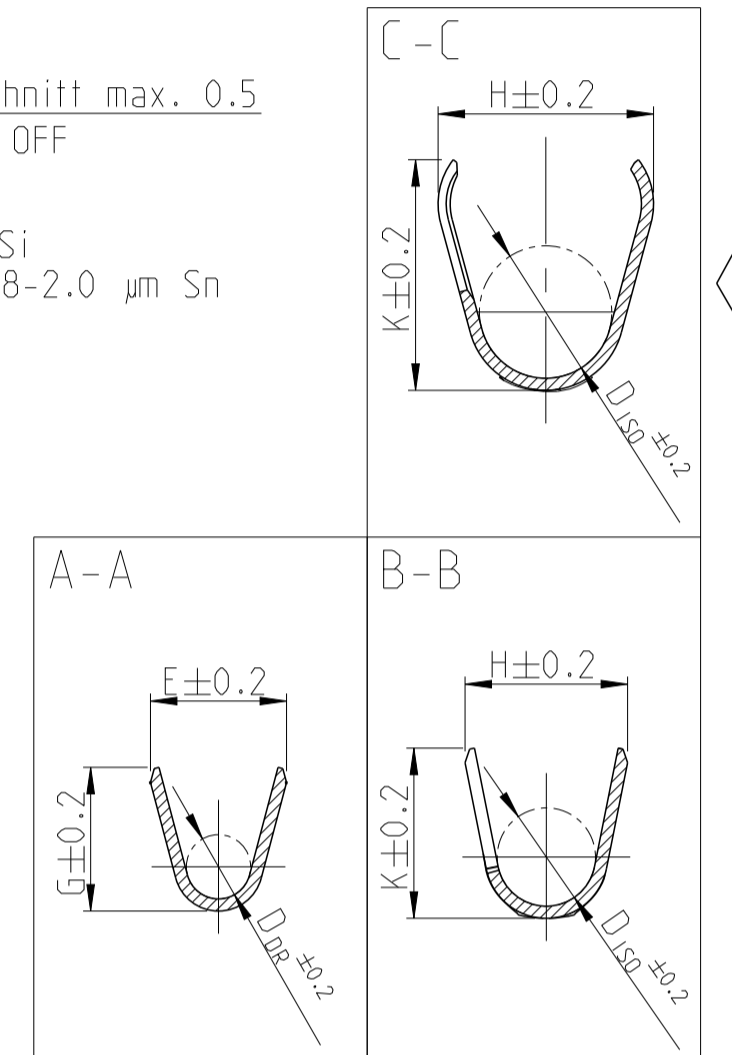
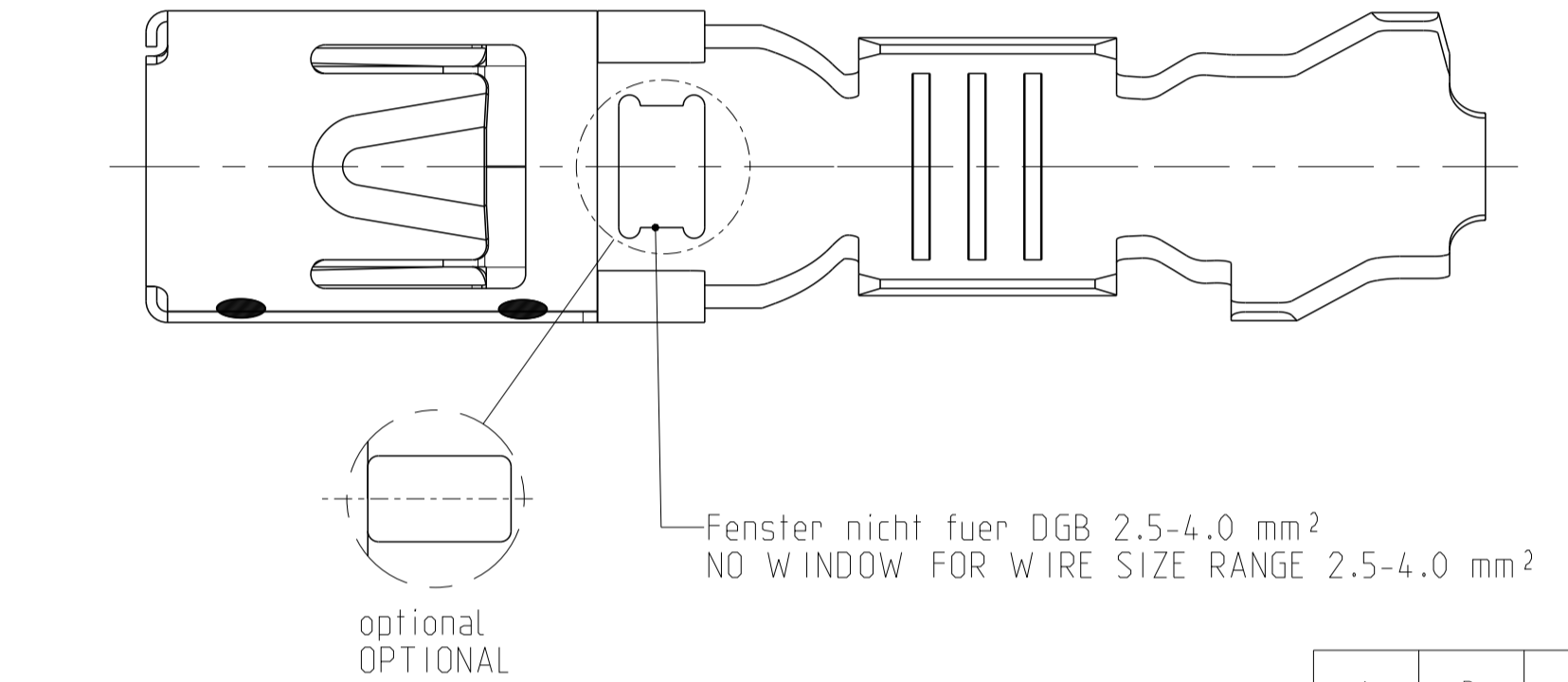
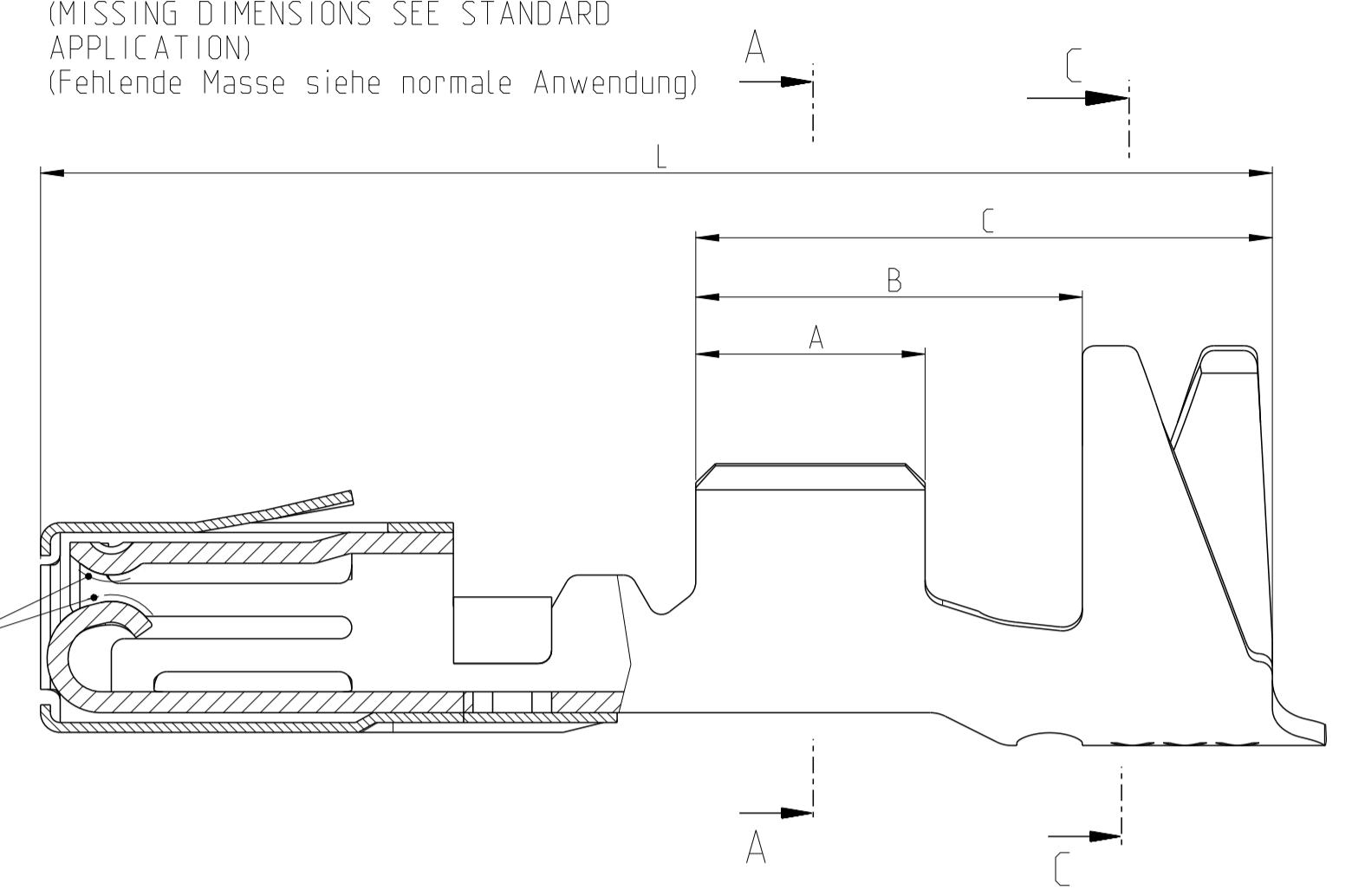
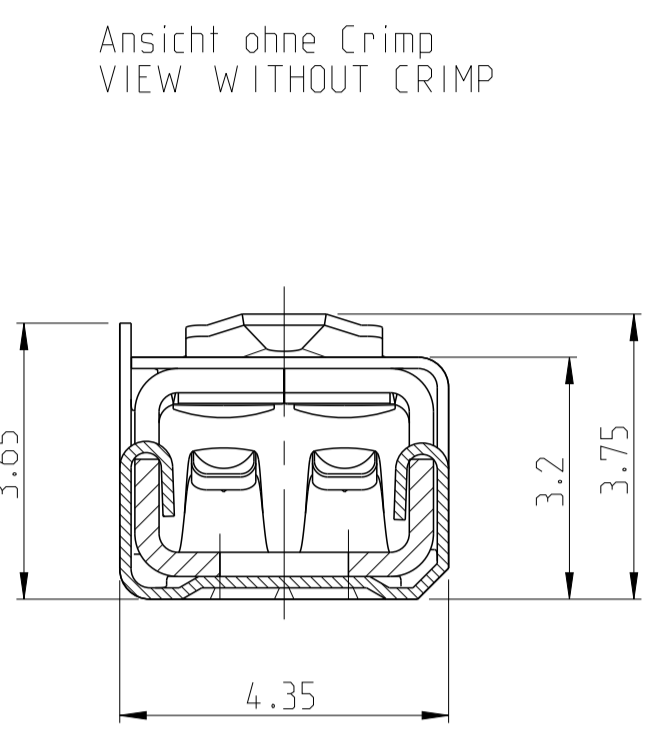
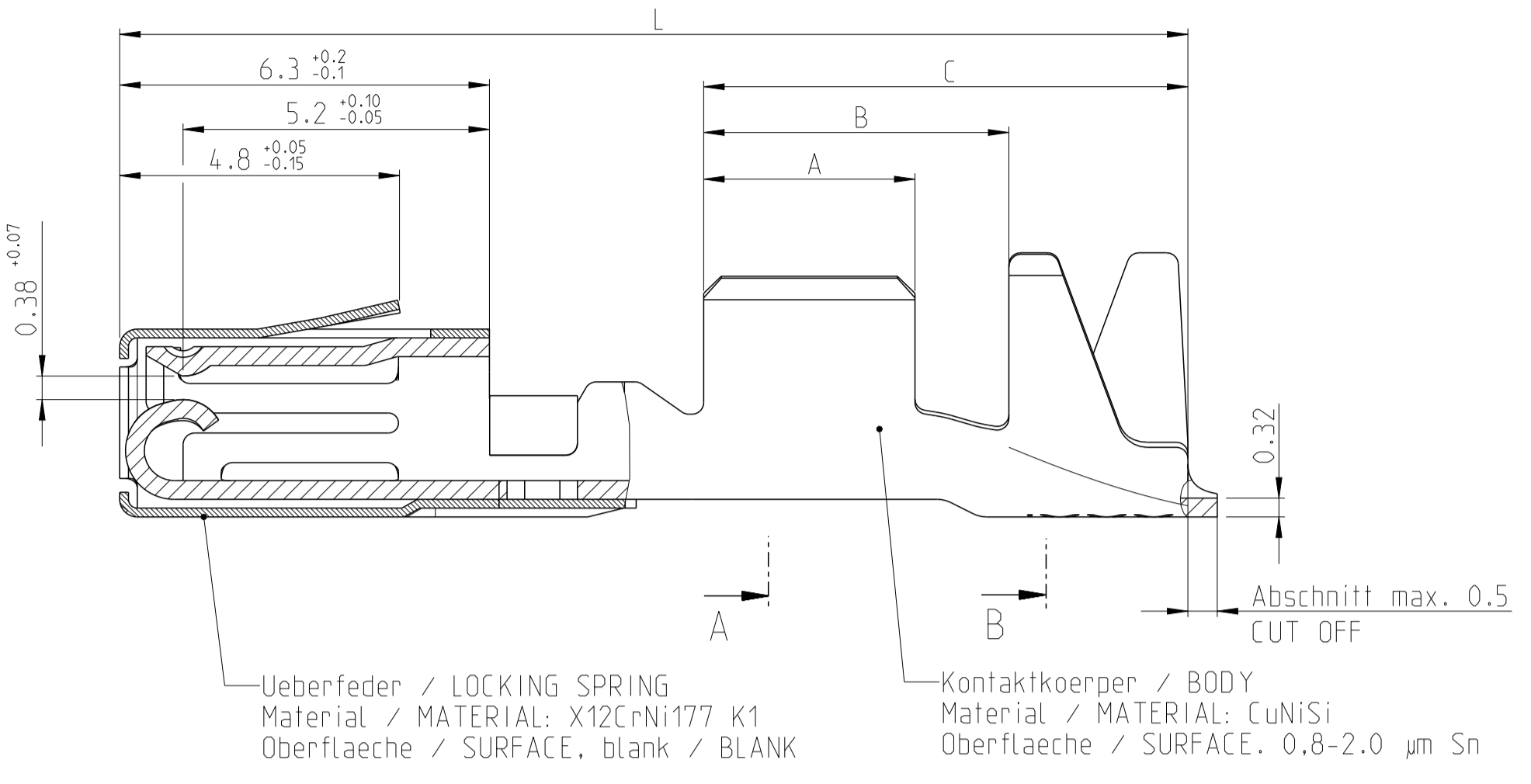


REVISIONS					
P.	LTN	DESCRIPTION	DATE	DMN	APVD
B6	ECR-14-015440		16012014	MN	Sche
B7	NEW VARIANTS ADDED. NEW 3D DRW CREATED		09JUN2015	Mgh	Schim

Normale Anwendung
STANDARD APPLICATION

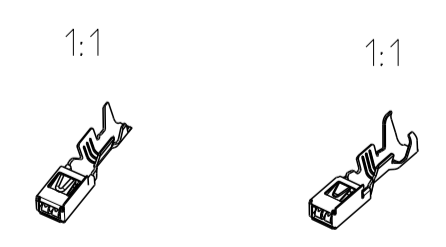
Einzeldichtungssystem
SINGLE WIRE SEAL SYSTEM



				zugehoerige Einzeldichtung SUITABLE SINGLE WIRE SEAL													
				A	B	C	E	G	D _{Dr}	H	K	D _{ISO}	L				
SUPERSEDED BY 968075-5	968120-5	D	4	> 1.0-2.5	3.5	5.9	8.8	3.6	3.8	1.7	5.7	6.1	3.5	18.8	0.5	967609-1	gelb/YELLOW
	968120-2	D	-												0.5		
	968119-4	D	6												0.5		
SUPERSEDED BY 968075-5	968419-5	D	4	> 0.5-1.0	3.0	5.4	8.3	2.5	2.7	1.2	5.5	5.9	3.3	18.8	0.5	967610-1	grau/GREY
SUPERSEDED BY 968119-4	968419-3	D	5												0.5		
	968119-2	D	-												0.5		
SUPERSEDED BY 968075-5	968680-5	B	4	0.35-0.5	2.5	4.9	7.8	2.1	2.1	0.8	5.4	5.7	3.2	18.8	0.5		
	968680-2	B	-												0.5		
SUPERSEDED BY 968075-5	1355950-5	-	4	> 2.5-4.0	4.0	5.9	9.3	4.5	4.7	2.3	5.4	5.6	3.2	19.5	0.5		
	1355950-4	A	6												0.5		
	1355950-2	B	-												0.5		
7	968075-5	D	4	> 1.0-2.5	3.5	5.2	8.25	3.6	3.8	1.7	4.3	4.5	2.6	18.2	0.5		
	968075-4	A	6												0.5		
	968075-2	D	-												0.5		
SUPERSEDED BY 968075-5	968074-5	D	4	> 0.5-1.0	3.0	4.6	7.0	2.5	2.7	1.2	3.2	3.4	1.8	18.2	0.5		
	968074-2	D	-												0.5		
SUPERSEDED BY 968075-5	968678-5	B	4	0.35-0.5	2.5	3.7	5.8	2.1	2.1	0.8	2.9	2.9	1.4	18.2	0.5		
	968678-2	B	-												0.5		
TE-Bestell-Nr. Bandware TE ORDER NO STRIP FORM	REV.	NOTE	Sn	VERSION	Drahtgroessenbereich WIRE SIZE RANGE [mm²]	Crimplaelngen CRIMP LENGTHS [mm]	Drahtcrimp WIRE CRIMP [mm]	Isolationscrimp INSULATION CRIMP [mm]	Kontaktlaenge CONTACT LENGTH [mm]	Gramm GRAM	Gewicht WEIGHT	Verarbeitung APPLICATION	Bestell-Nr. ORDER NO. TAB NR: 116-18005-600	Farbe COLOUR			

NOTES
Bemerkungen

- SUITABLE FOR PIN CONTACT SEE DRAWING:
Passend zu Stiftkontakt:
TE: 1355933
 - FOR FLR-CONDUCTOR ACCORDING TO DIN 72551, PART 6 ONLY
Nur fuer FLR-Leitungen nach DIN 72551, Teil 6
 - DETAILS OF DESIGN ARE LEFT TO MANUFACTURER
Einzelheiten der Ausfuehrung bleiben dem Hersteller ueberlassen
- 4 MIN. 0.8 µm Au OVER MIN. 1.2 µm Ni
Min. 0.8 µm Au ueber min. 1.2 µm Ni
- 5 2-4 µm ELECTROPLATED SILVER
2-4 µm galvanisch Silber
- 6 MIN. 0.8 µm PdNi OVER MIN. 1.2 µm Ni
Min. 0.8 µm PdNi ueber min. 1.2 µm Ni
- 7 FOR INSPECTION PURPOSES ONLY
Nur fuer Pruefzwecke



THIS DRAWING IS A CONTROLLED DOCUMENT.		DMN S.Garcia 22MAY2000	TE Connectivity	
DIMENSIONS: mm		CHK R.Jetter 22MAY2000	NAME MICRO POWER QUADLOK BUCHSENKONTAKT	
TOLERANCES UNLESS OTHERWISE SPECIFIED:		PRODUCT SPEC 108-18476-1	TABLETTE SOCKET CONTACT	
1 PLC ± n. ISO 8015		APPLICATION SPEC 116-18141-1	SIZE A1 00779 C=1355934	
2 PLC ± n. ISO 2768		WEIGHT	RESTRICTED TO	
3 PLC ± n. DIN 16901		Customer Drawing	SCALE 10:1 SHEET 1 OF 1 REV B7	
MATERIAL				