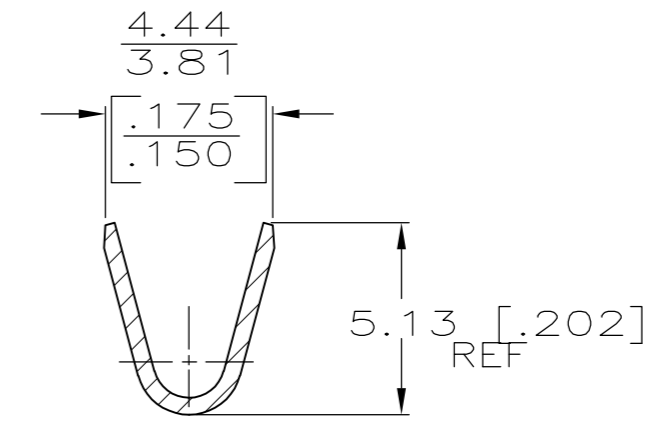
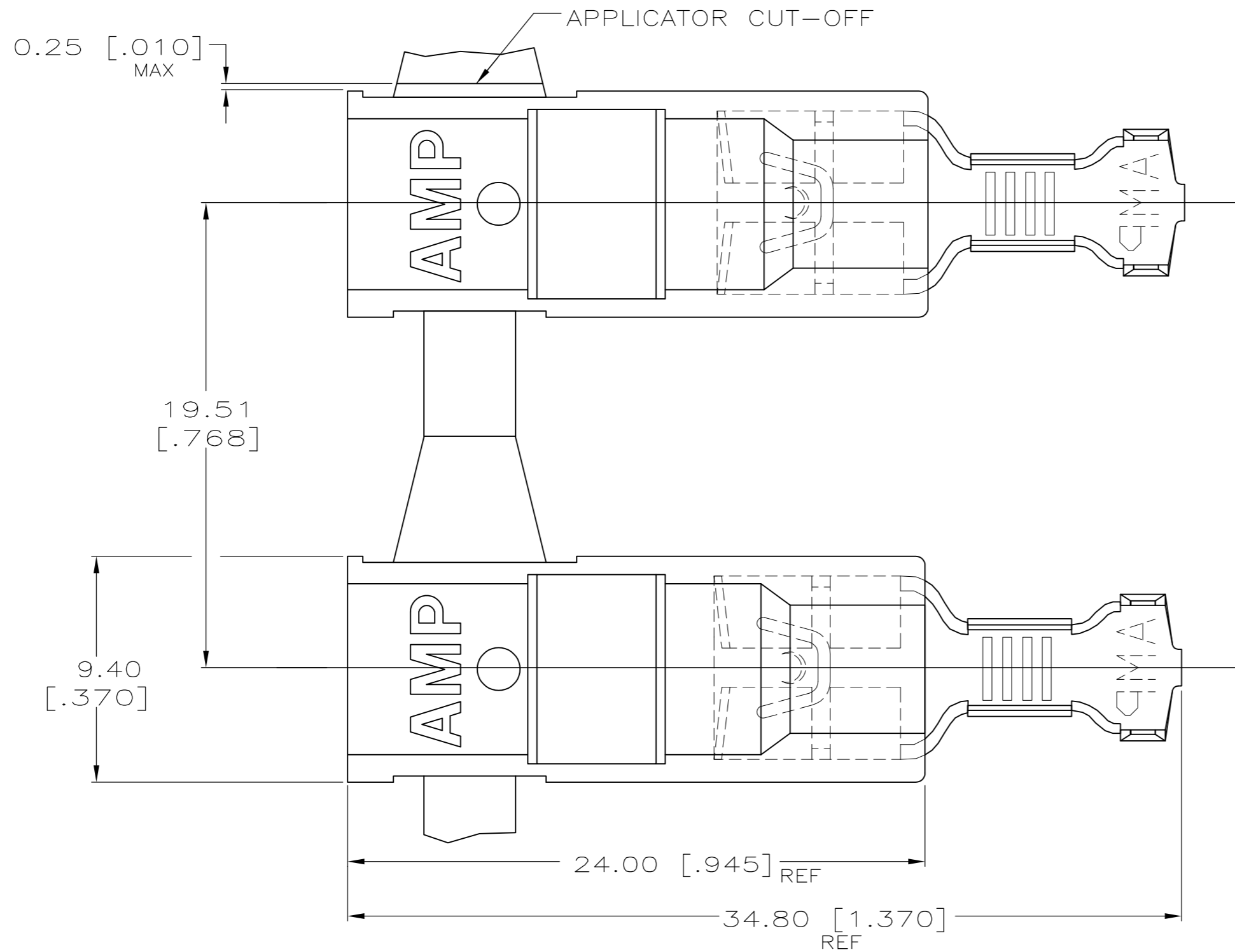
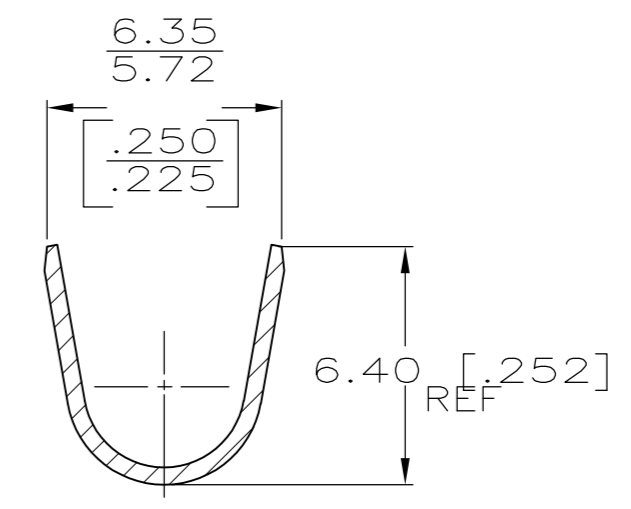
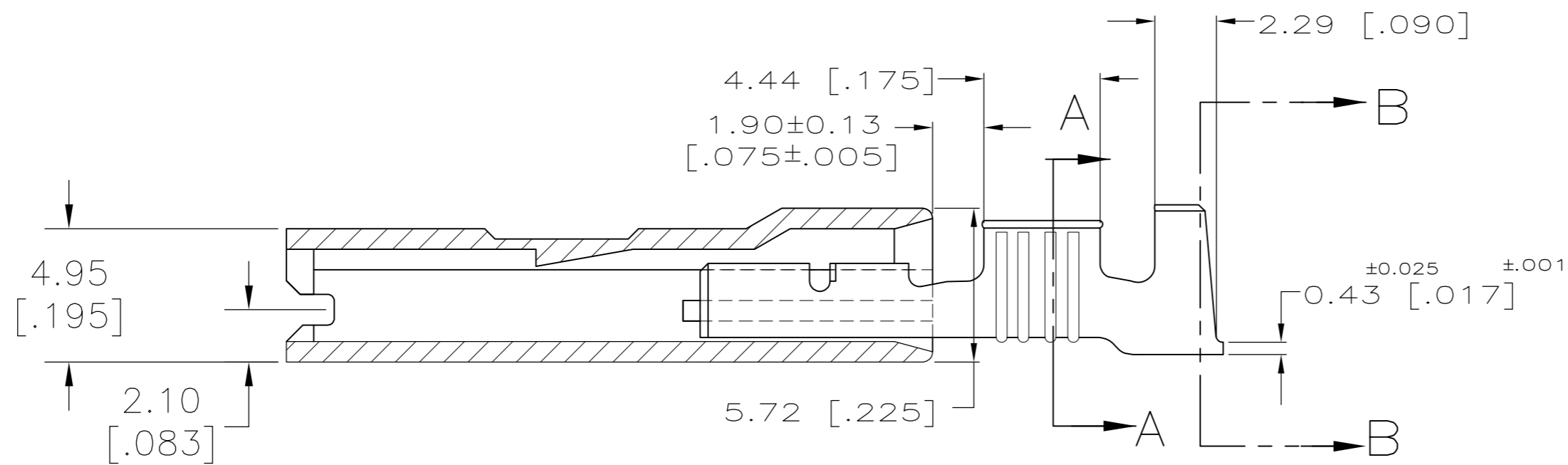


THIS DRAWING IS UNPUBLISHED. RELEASED FOR PUBLICATION  
 © COPYRIGHT - By - ALL RIGHTS RESERVED.

LOC		DIST		REVISIONS			
P	LTR	DESCRIPTION		DATE	DWN	APVD	
AF	50	M3	REVISED PER ECO-13-010050	18JUN13	JR	PD	



SECTION A-A



SECTION B-B

OBSOLETE	BULK	PLAIN				-5-520974-2-
	STANDARD	2 TIN PLATED	3.30-4.57 [.130-.180]	2.0-5.0 mm [14-10]	0.813 [.032]	520974-2
	PACKAGING	PLAIN				520974-1
		TERMINAL FINISH	INSULATION RANGE	WIRE SIZE	MATING TAB THK ±0.025 [±.001]	PART NO.

- 1 LOW-INSERTION FASTON TERMINALS, BASE P/N 63639, ARE USED IN THIS PRODUCT.
- 2 0.002032 [.000080] MIN TIN PER MIL-T-10727.
- 3 MATERIAL: HOUSING - 6/6 NTLON  
TERMINAL - BRASS
- 4 FINISH: HOUSING - COLOR, NATURAL  
TERMINAL - SEE TABLE

THIS DRAWING IS A CONTROLLED DOCUMENT.

DIMENSIONS: mm [INCHES]	TOLERANCES UNLESS OTHERWISE SPECIFIED:	DWN JR RUTH 6/11/90	CHK MS FEHER 6/11/90	APVD -	NAME
0 PLC ± -	1 PLC ± -	PRODUCT SPEC	108-1285	APPLICATION SPEC	114-2124
2 PLC ± -	3 PLC ± 0.25 [.010]	WEIGHT	-	SCALE	5:1
4 PLC ± -	ANGLES ± -	CUSTOMER DRAWING		SHEET	1 of 1
MATERIAL	FINISH	SIZE	A2	CAGE CODE	00779
3	4	DRAWING NO	C=520974	RESTRICTED TO	-
		REV	M3		

**TE** TE Connectivity  
 ASSEMBLY, RECEPTACLE,  
 ULTRA-POD, 6.35 [.250] SERIES