

CONNETTORE TIPO A (CON MOLLA DI RITEGNO ESTERNA)
CONNECTOR TYPE A (WITH EXTERNAL SPRING)

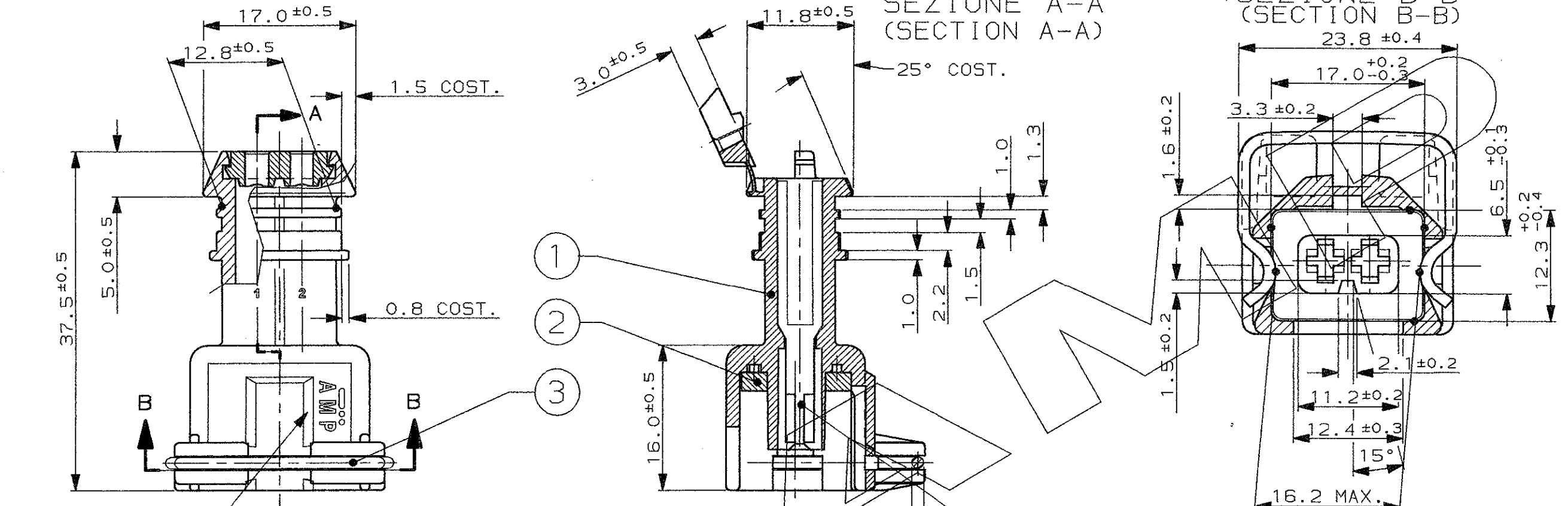
SCALA NON IMPEGNATIVA
(DO NOT SCALE)
DIMENSIONI IN mm
(DIMENSIONS IN)

METRIC

PROIEZIONE EUROPEA
(EUROPEAN PROJECTION)

SEZIONE A-A
(SECTION A-A)

SEZIONE B-B
(SECTION B-B)

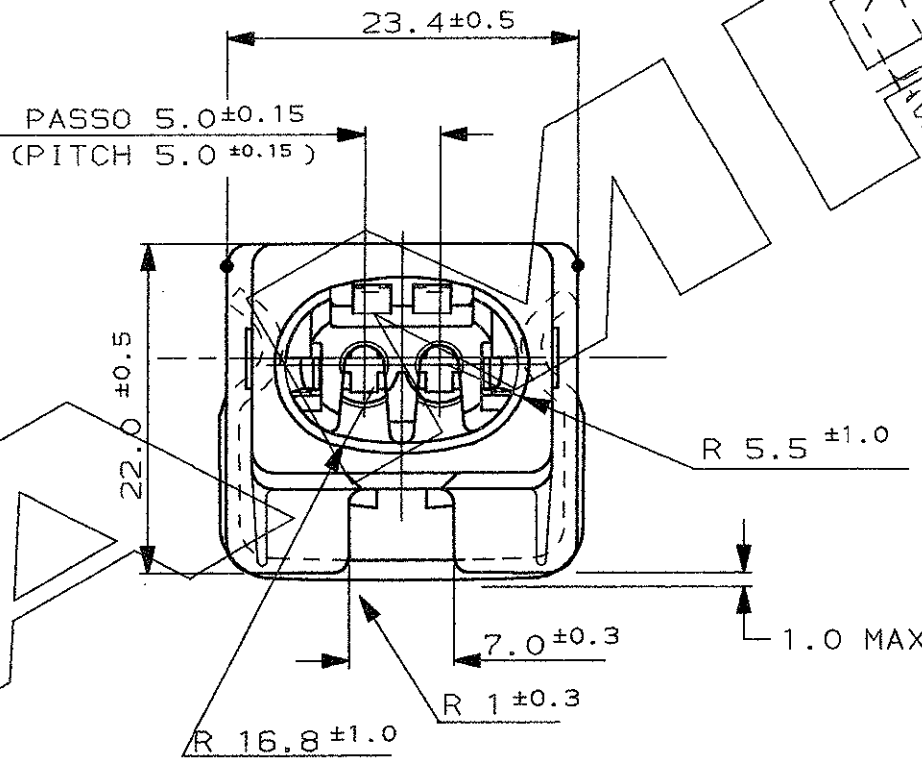


LOGO AMP
(AMP TRADE MARK)

Ø FILO 1.3
(WIRE Ø 1.3)
ASSE CONNETTORE
(CONNECTOR CENTER LINE)

TIP. CAVITA' PER TERMINALI AMP JPT P/N 929939-...
OPPURE 929937-... E RELATIVI GOMMINI
AMP P/N 828904-1, 828904-2, 828905-1, 282536-1.
TAPPO CAVITA' P/N 828906-2

(TYP. CAV. FOR JPT CONT. P/N 929939-... A/O 929937-... AND REL.
SINGLE WIRE SEAL P/N 828904-1, 828904-2, 828905-1, 282536-1
CAVITY PLUG P/N 828906-2)



ASSE CAVITA'
(CAVITY CENTER LINE)

ROSSO (RED)	282762-8
GIALLO (YELLOW)	282762-7
MARRONE (BROWN)	282762-6
BLU (BLUE)	282762-5
VERDE (GREEN)	282762-4
NATURALE (CLEAR)	282762-3
GRIGIO (GREY)	282762-2
NERO (BLACK)	282762-1
COLORE (COLOR)	NUMERO (PART N°)

3	//////	ACCIAIO INOX (STAINLESS STEEL)	MOLLA (SPRING)
2	NATURALE (CLEAR)	GOMMA SILICONE (SILICONE RUBBER)	GUARNIZIONE (SEALING)
1	//////	PA 6.6	BLOCCHETTO (HOUSING)
N° (ITEM)	FINITURA / COLORE (FINISH / COLOUR)	MATERIALE (MATERIAL)	DESCRIZIONE (DESCRIPTION)

CUSTOMER DWG. FOR REFERENCE ONLY
DISEGNO PER CLIENTE SOLO PER RIFERIMENTO

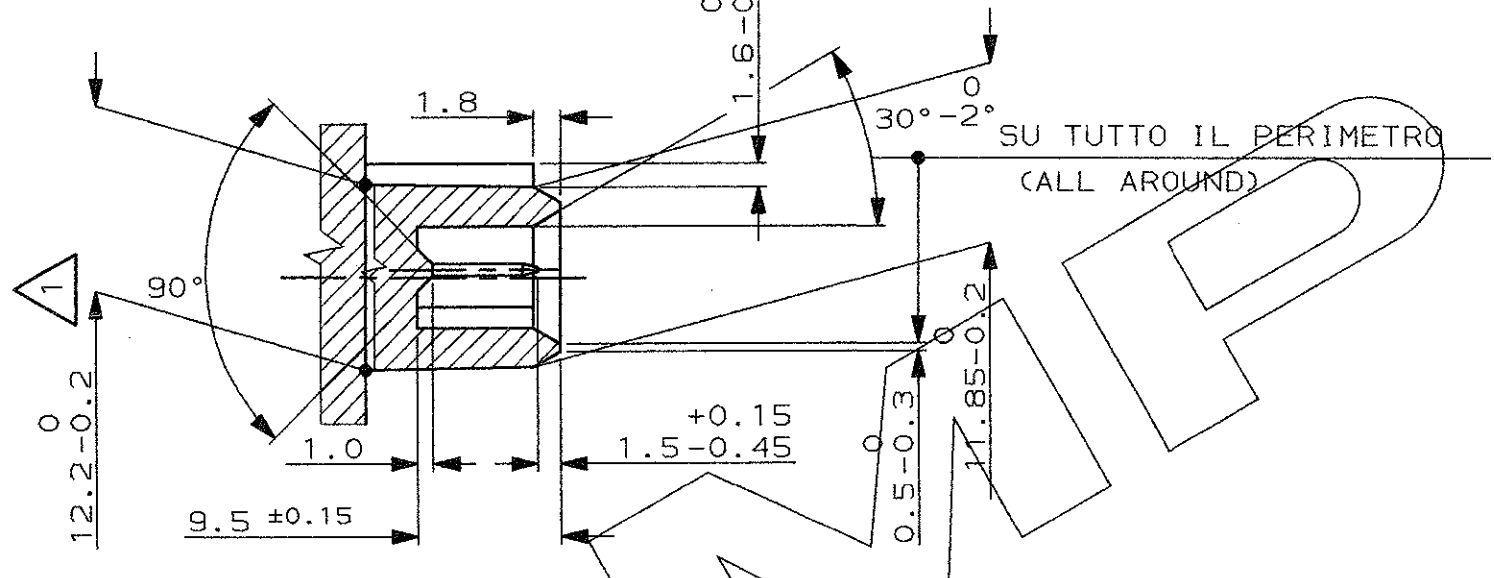
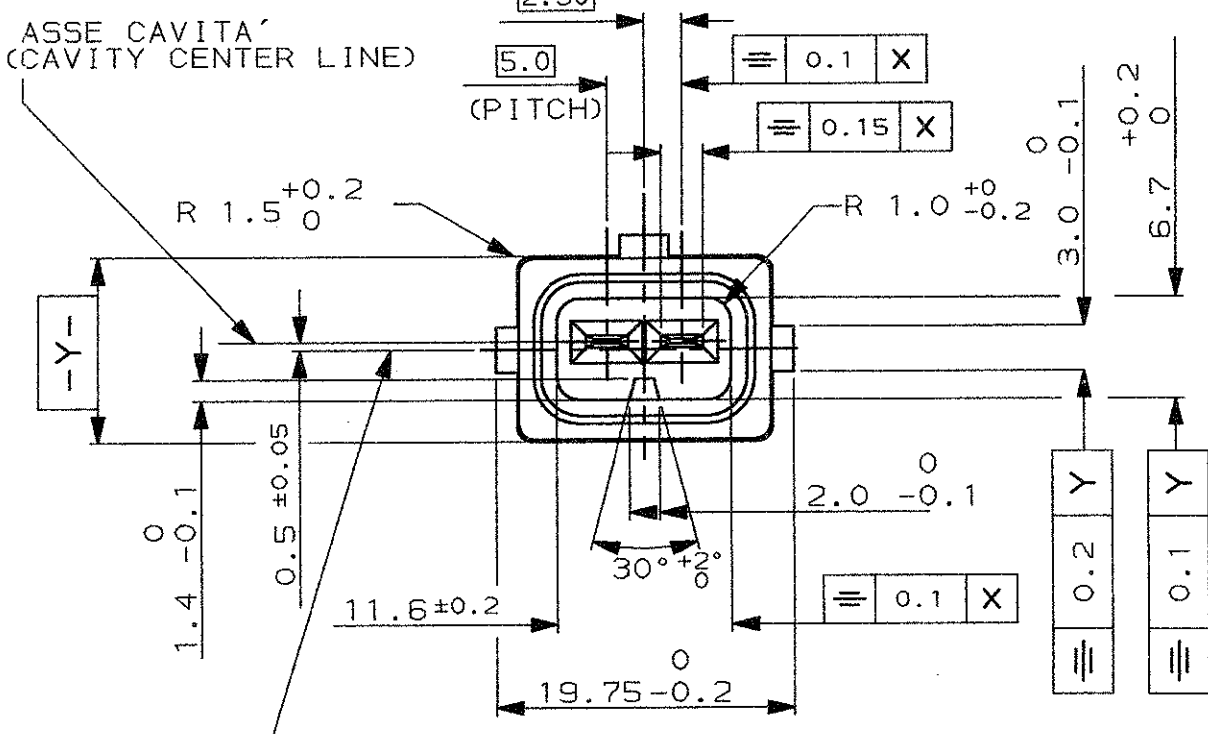
THIS DRAWING IS UNPUBLISHED - RELEASE FOR PUBLICATION 19
© COPYRIGHT 19 BY AMP INCORPORATED, HARRISBURG, PA. ALL INTERNATIONAL RIGHT RESERVED. AMP PRODUCTS MAY BE COVERED BY U.S. AND FOREIGN PATENT AND/OR PATENT PENDING
TOLLERANZE, SE NON DIVERSAMENTE SPECIFICATO (TOLERANCES, UNLESS OTHERWISE SPECIFIED)
DIAM. ISOLANTE (INS. DIA. RANGE) 1.4-3.0 (RED. INS. CABLE)
RANGO FILO (WIRE RANGE) 0.5-2.5 mm²
SCALA (SCALE) ---
ANGOLI (ANGLES) ± 0.3 ± 2°

STE TE Connectivity

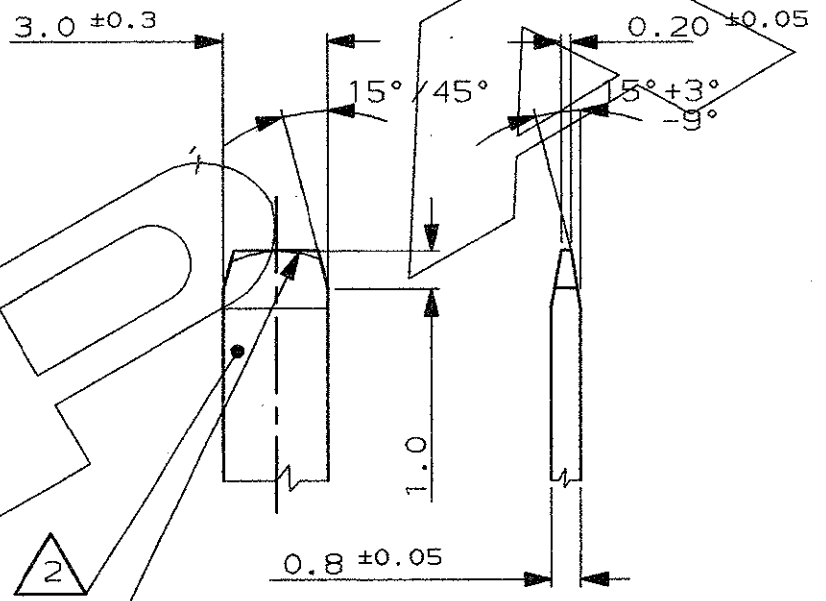
E	ECR-14-003472	MP	24MAR 2014
B1	AGGIORNATO CON ET00-0367-99	M.B.	25-11-1999
B	AGGIORNATO E IN PRODUZIONE CON ET00-0075-96	A.B.	12-2-1996
A	PRIMA EMISSIONE CON ET00-0217-95	A.B.	15-9-1995
REV.	REVISIONI (REVISION RECORD)	DIS. DATA (DR) (DATE)	APP. (APP.)

DIS. 24 MAY 96
CONT. A. BAJ
CONT. 24 MAY 96
(CHK) C. TARTARI
DESCRIZIONE (DESCRIPTION)
2 POS. SPLASH PROOF CONN. ASS'Y with SECONDARY LOCK
LOC. SIZE NUMERO (DWG NO) I A3 C-282762
REV. E
FOGLIO (SHEET) 1 D1 2

DISTRIBUZIONE (PRINT DIST.)

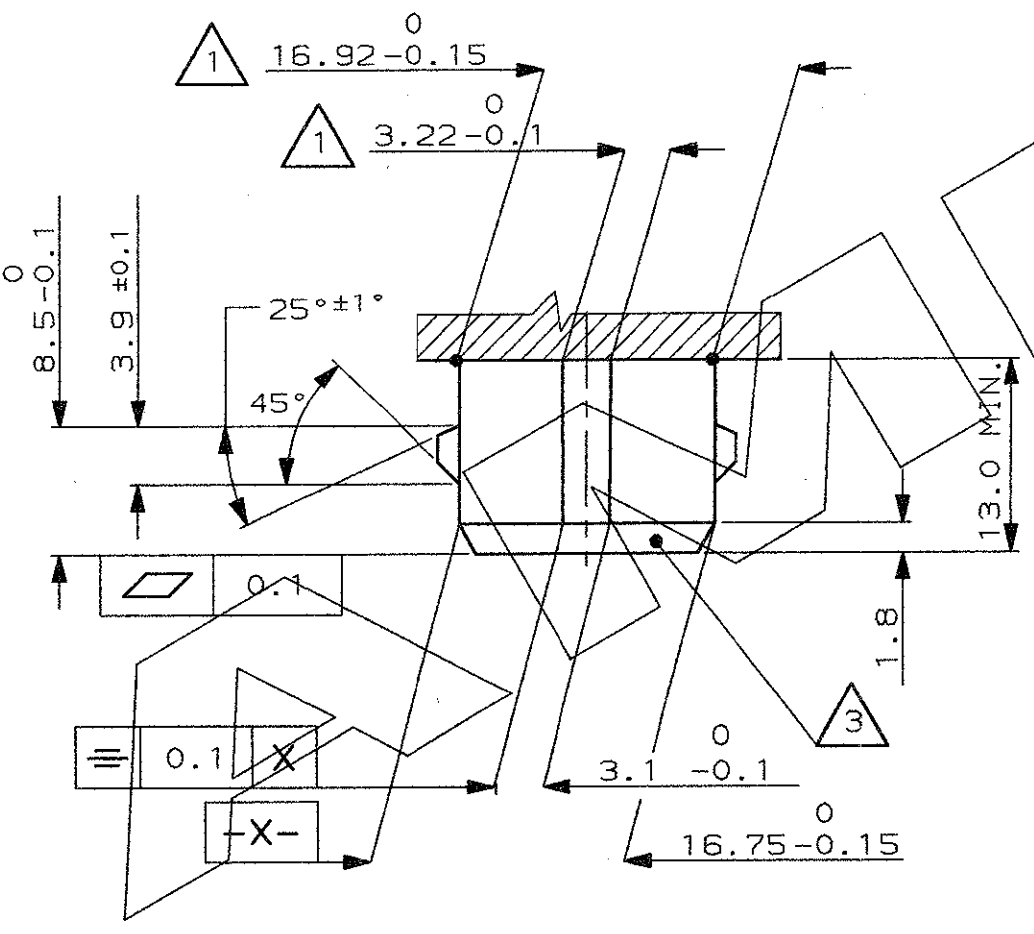


DETT. LINGUETTA TAB-SCALA 5:1- (TAB DETAIL)



FORMA ALTERNATIVA PERMESSA CON RAGGIO (ALLOWED ALTERNATIVE PROFILE WITH RADIUS)

- 1 QUOTE APPLICABILI PER SFORMATURA PEZZO (DRAFT PERMITTED TO FACILITATE REMOVAL OF PART FROM THE MOULD)
- 2 MATERIALE LINGUETTE: LEGA DI RAME STAGNATA, ES. OTTONE STAGNATO. (TAB CONTACT MATERIAL: TIN PLATED COPPER ALLOY, E.G. BRASS TIN PLATED)
- 3 MATERIALE BLOCCHETTO: TERMOPLASTICO CARICATO FIBRA VETRO. (HOUSING MATERIAL: THERMOPLASTIC, GLASS FIBER FILLED)



REV.	REVISIONI (REVISION RECORD)	DIS. (DR.)	DATA (DATE)	APP. (APP.)	FINITURA / COLORE (FINISH / COLOUR)	MATERIALE (MATERIAL)	NUMERO (PART NUMBER)
SEE SHEET 1 OF 2				CUSTOMER DWG. FOR REFERENCE ONLY		DISEGNO PER CLIENTE SOLO PER RIFERIMENTO	
SEE SHEET 1 OF 2				THIS DRAWING IS UNPUBLISHED		RELEASE FOR PUBLICATION 19	
SEE SHEET 1 OF 2				© COPYRIGHT 19 BY AMP INCORPORATED, HARRISBURG, PA. ALL INTERNATIONAL RIGHT RESERVED. AMP PRODUCTS MAY BE COVERED BY U.S. AND FOREIGN PATENT AND/OR PATENT PENDING			
SEE SHEET 1 OF 2				TOLLERANZE: SE NON DIVERSAMENTE SPECIFICATO (TOLERANCES, UNLESS OTHERWISE SPECIFIED)		DIAM. ISOLANTE (INS. DIA. RANGE) RANGO FILO (WIRE RANGE) SCALA (SCALE)	
SEE SHEET 1 OF 2				± 0.3		---	
SEE SHEET 1 OF 2				ANGOLI (ANGLES) ± 2°		---	
SEE SHEET 1 OF 2				DESCRIZIONE (DESCRIPTION)			
SEE SHEET 1 OF 2				2 POS. SPLASH PROOF CONN. ASS'Y with SECONDARY LOCK			
SEE SHEET 1 OF 2				LOC. SIZE NUMERO (DWG NO)		REV. FOLIO (SHEET)	
SEE SHEET 1 OF 2				I A3 C-282762		E 2 DI (OF) 2	

DISTRIBUZIONE (PRINT/DIST.)