

FIG. 1

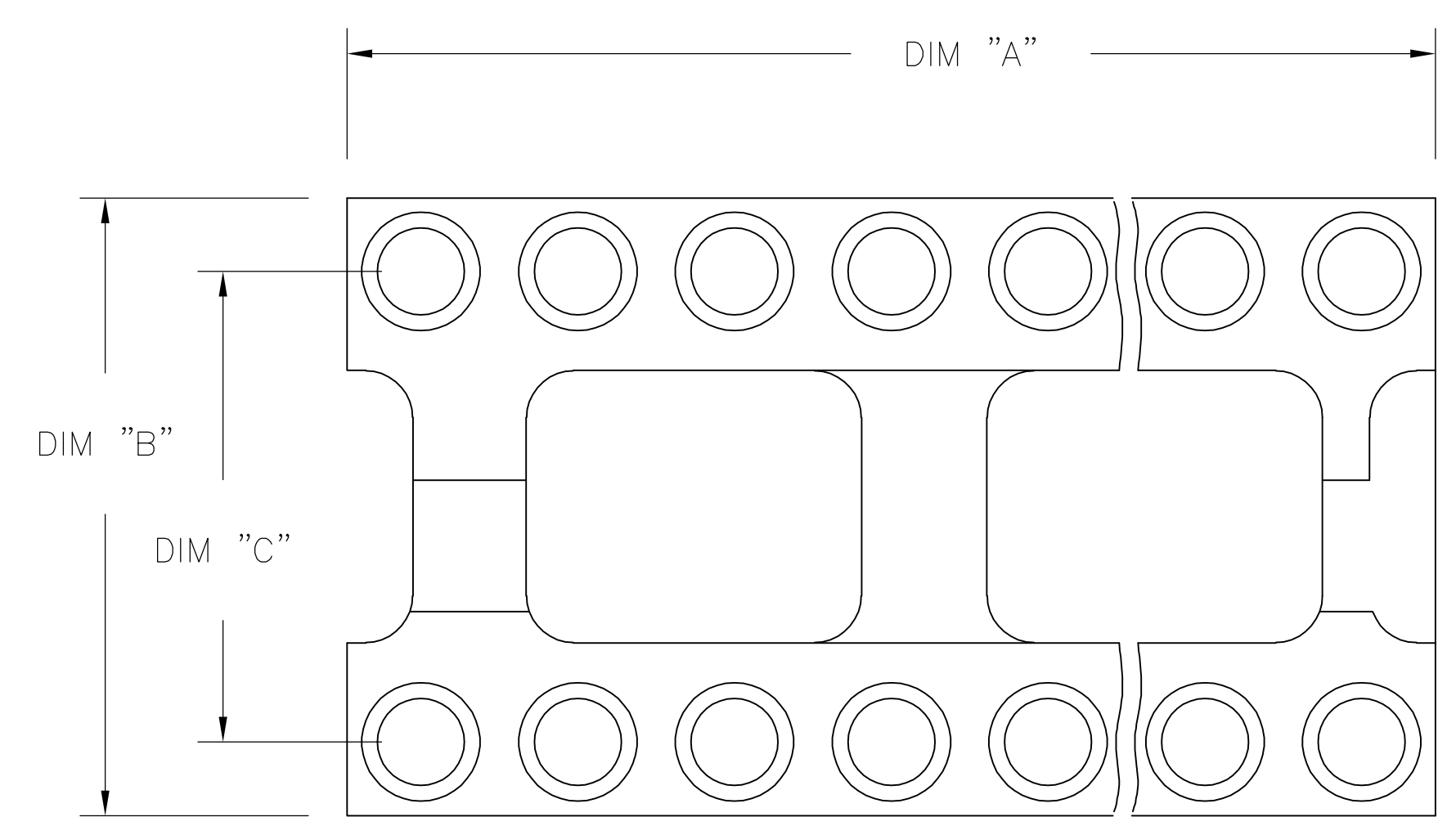


FIG. 2

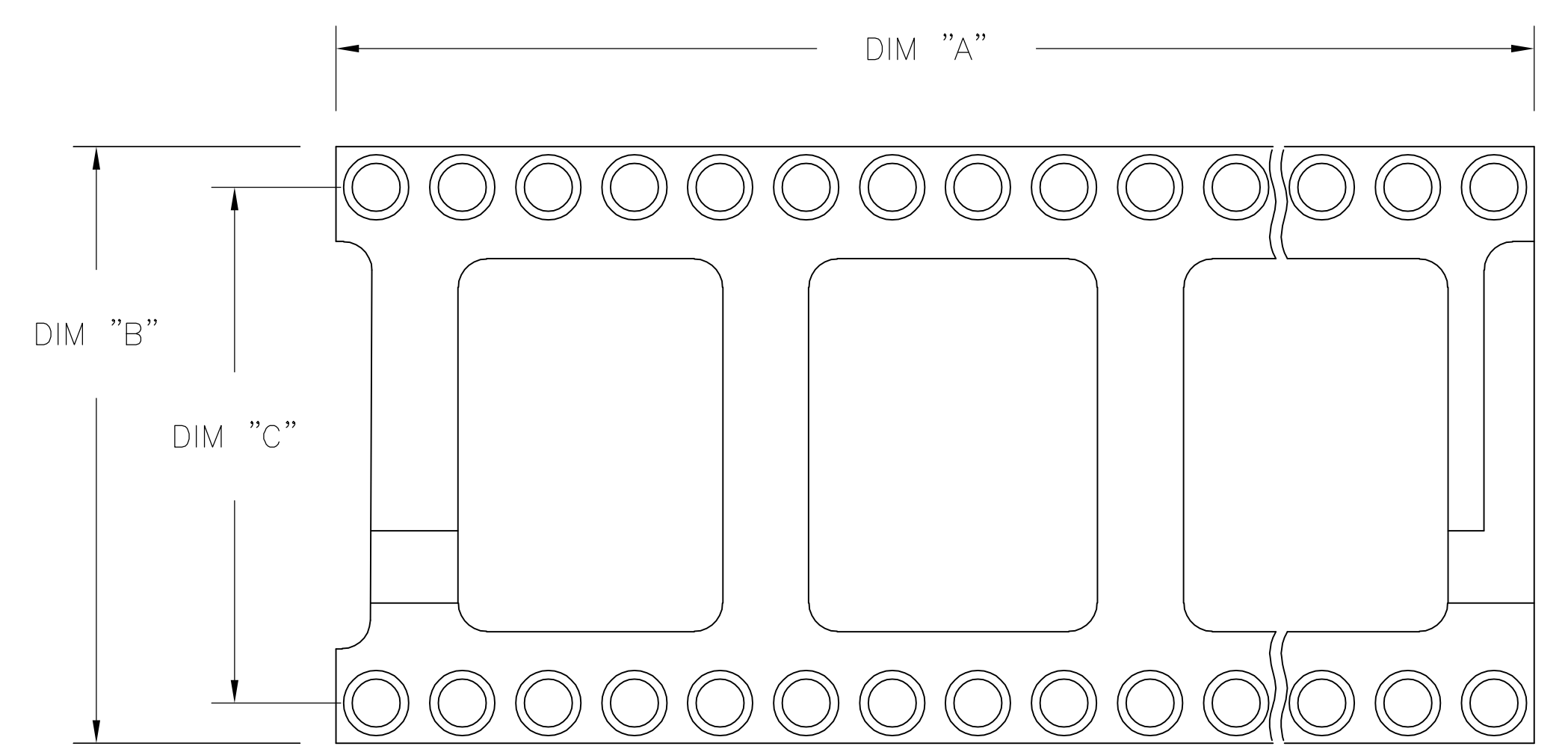
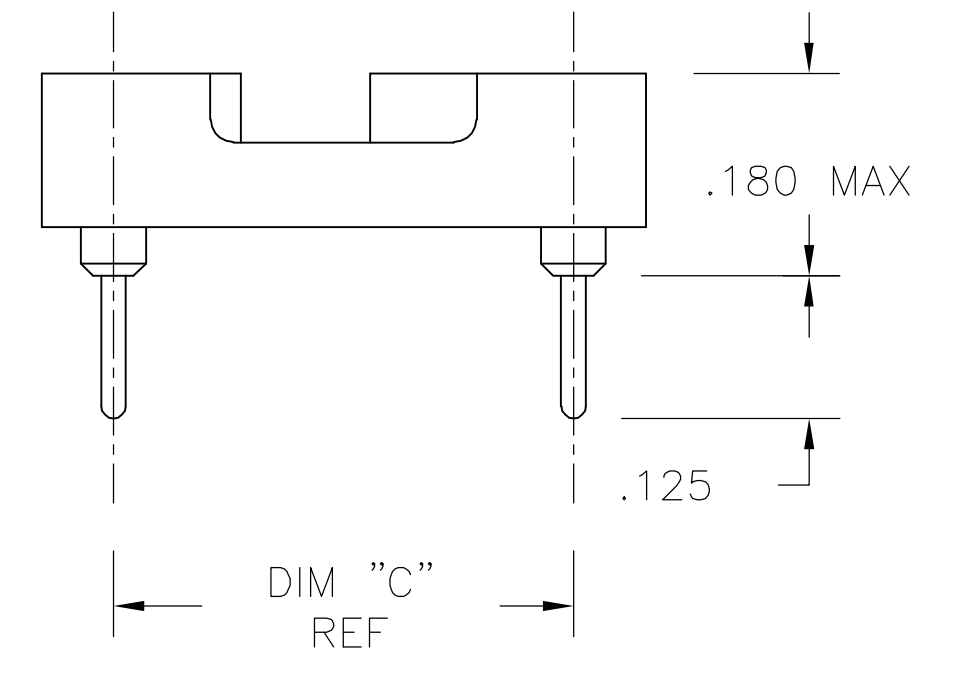
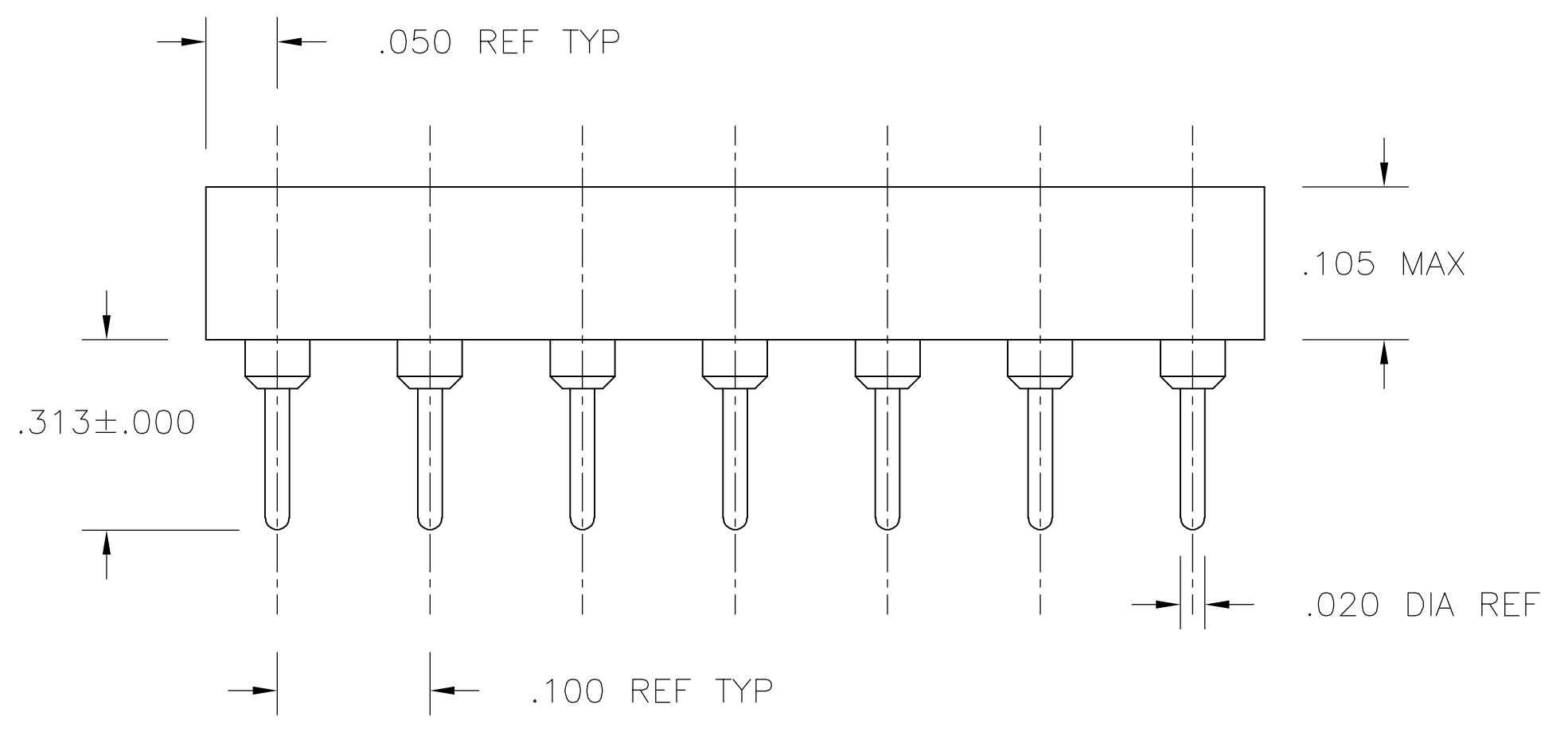
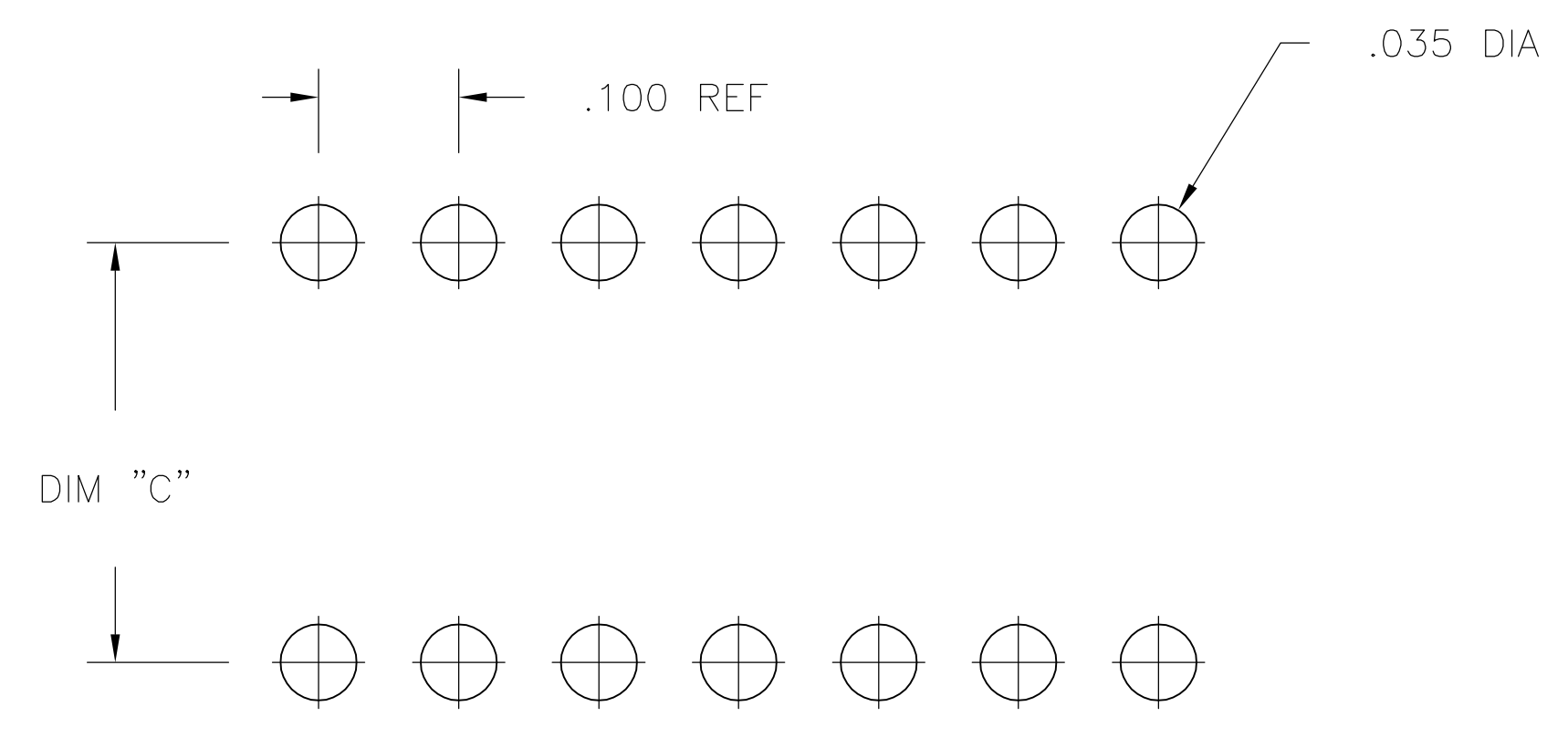


FIG. 3



1. INSULATOR MATERIAL - THERMOPLASTIC POLYESTER, PCT, BLACK, UL94 V-0
2. STAMPED CONTACT - BECU, PLATED WITH 80-200μ" TIN (LEAD FREE) OVER 75-100μ" COPPER.
3. SLEEVE - COPPER, PLATED WITH 180-340μ" THK TIN (LEAD FREE) OVER 75-125μ" MIN NICKEL.
5. STAMPED CONTACT-BECU, PLATED WITH GOLD FLASH OVER 50-100μ" NICKEL
6. STAMPED CONTACT-BECU, PLATED WITH 20μ" MIN GOLD OVER 30-100μ" NICKEL.
7. ELECTRICAL:  
 CONTACT RESISTANCE: 10 MILLIOHMS MAX  
 CONTACT RATING: 3 AMPS  
 CAPACITANCE: 1.0 pF PER MIL-STD-202, METHOD 305  
 INSULATION RESISTANCE: 5000 OHMS MIN @ 500 VDC PER MIL-STD-1344, METHOD 3003.1  
 DIELECTRIC WITHSTANDING VOLTAGE: 1000 VOLTS (RMS) PER MIL-STD-1344, METHOD 3001.1
8. MECHANICAL:  
 INSERTION FORCE: 179 GRAMS AVG  
 WITHDRAWAL FORCE: 63 GRAMS AVG  
 "ACCEPTS IC PIN - .009"x.015" THROUGH .011"x.020", OR .016" TO .021" DIAMETER, .150/.105 LONG"
9. ENVIRONMENTAL:  
 OPERATING TEMPERATURE: -55°C TO -105°C



P.C.B. HOLE LAYOUT  
 TOLERANCE ±.003

THIS DRAWING IS A CONTROLLED DOCUMENT.		DWN: BSV	27JUL2004	Tyco Electronics Corporation Harrisburg, Pa 17105-3608
DIMENSIONS: INCHES		CHK: -	NAME: K. WRIGHT	
TOLERANCES UNLESS OTHERWISE SPECIFIED:		PRODUCT SPEC		OPEN FRAME DIP, ECONOMY (STAMPED CONTACT) LEAD FREE (REF AUGAT 800 SERIES)
0. PLC ± - 1. PLC ± - 2. PLC ± - 3. PLC ± .005 4. PLC ± - ANGLES ± - FINISH -		APPLICATION SPEC		RESTRICTED TO
MATERIAL: -		WEIGHT: -		SIZE: A1
		CUSTOMER DRAWING		CAGE CODE: 00779
		SCALE: 4:1		DRAWING NO: 1571552
		SHEET: 1 OF 2		REV: E

△ <sub>3</sub> △ <sub>6</sub>	GOLD	TIN	.400±.005	.500	1.200	2	24	5-1571552-7
△ <sub>3</sub> △ <sub>6</sub>	GOLD	TIN	.300±.005	.400	1.200	2	24	5-1571552-6
△ <sub>3</sub> △ <sub>6</sub>	GOLD	TIN	.900±.005	1.000	3.200	3	64	5-1571552-5
△ <sub>3</sub> △ <sub>6</sub>	GOLD	TIN	.600±.005	.700	2.400	3	48	5-1571552-4
△ <sub>3</sub> △ <sub>6</sub>	GOLD	TIN	.600±.005	.700	2.100	3	42	5-1571552-3
△ <sub>3</sub> △ <sub>6</sub>	GOLD	TIN	.600±.005	.700	2.000	3	40	5-1571552-2
△ <sub>3</sub> △ <sub>6</sub>	GOLD	TIN	.600±.005	.700	1.800	3	36	5-1571552-1
△ <sub>3</sub> △ <sub>6</sub>	GOLD	TIN	.600±.005	.700	1.600	3	32	5-1571552-0
△ <sub>3</sub> △ <sub>6</sub>	GOLD	TIN	.600±.005	.700	1.400	2	28	4-1571552-9
△ <sub>3</sub> △ <sub>6</sub>	GOLD	TIN	.600±.005	.700	1.200	2	24	4-1571552-8
△ <sub>3</sub> △ <sub>6</sub>	GOLD	TIN	.400±.005	.500	1.100	2	22	4-1571552-7
△ <sub>3</sub> △ <sub>6</sub>	GOLD	TIN	.300±.005	.400	1.000	2	20	4-1571552-6
△ <sub>3</sub> △ <sub>6</sub>	GOLD	TIN	.300±.005	.400	.900	2	18	4-1571552-5
△ <sub>3</sub> △ <sub>6</sub>	GOLD	TIN	.300±.005	.400	.800	2	16	4-1571552-4
△ <sub>3</sub> △ <sub>6</sub>	GOLD	TIN	.300±.005	.400	.400	1	8	4-1571552-3
△ <sub>3</sub> △ <sub>6</sub>	GOLD	TIN	.300±.005	.400	.700	2	14	4-1571552-2
△ <sub>3</sub> △ <sub>5</sub>	G F	TIN	.400±.005	.500	1.200	2	24	3-1571552-7
△ <sub>3</sub> △ <sub>5</sub>	G F	TIN	.300±.005	.400	1.200	2	24	3-1571552-6
△ <sub>3</sub> △ <sub>5</sub>	G F	TIN	.900±.005	1.000	3.200	3	64	3-1571552-5
△ <sub>3</sub> △ <sub>5</sub>	G F	TIN	.600±.005	.700	2.400	3	48	3-1571552-4
△ <sub>3</sub> △ <sub>5</sub>	G F	TIN	.600±.005	.700	2.100	3	42	3-1571552-3
△ <sub>3</sub> △ <sub>5</sub>	G F	TIN	.600±.005	.700	2.000	3	40	3-1571552-2
△ <sub>3</sub> △ <sub>5</sub>	G F	TIN	.600±.005	.700	1.800	3	36	3-1571552-1
△ <sub>3</sub> △ <sub>5</sub>	G F	TIN	.600±.005	.700	1.600	3	32	3-1571552-0
△ <sub>3</sub> △ <sub>5</sub>	G F	TIN	.600±.005	.700	1.400	2	28	2-1571552-9
△ <sub>3</sub> △ <sub>5</sub>	G F	TIN	.600±.005	.700	1.200	2	24	2-1571552-8
△ <sub>3</sub> △ <sub>5</sub>	G F	TIN	.400±.005	.500	1.100	2	22	2-1571552-7
△ <sub>3</sub> △ <sub>5</sub>	G F	TIN	.300±.005	.400	1.000	2	20	2-1571552-6
△ <sub>3</sub> △ <sub>5</sub>	G F	TIN	.300±.005	.400	.900	2	18	2-1571552-5
△ <sub>3</sub> △ <sub>5</sub>	G F	TIN	.300±.005	.400	.800	2	16	2-1571552-4
△ <sub>3</sub> △ <sub>5</sub>	G F	TIN	.300±.005	.400	.700	2	14	2-1571552-3
△ <sub>3</sub> △ <sub>5</sub>	G F	TIN	.300±.005	.400	.400	1	8	2-1571552-2
△ <sub>3</sub> △ <sub>2</sub>	TIN	TIN	.400±.005	.500	1.200	2	24	1-1571552-7
△ <sub>3</sub> △ <sub>2</sub>	TIN	TIN	.300±.005	.400	1.200	2	24	1-1571552-6
△ <sub>3</sub> △ <sub>2</sub>	TIN	TIN	.900±.005	1.000	3.200	3	64	1-1571552-5
△ <sub>3</sub> △ <sub>2</sub>	TIN	TIN	.600±.005	.700	2.400	3	48	1-1571552-4
△ <sub>3</sub> △ <sub>2</sub>	TIN	TIN	.600±.005	.700	2.100	3	42	1-1571552-3
△ <sub>3</sub> △ <sub>2</sub>	TIN	TIN	.600±.005	.700	2.000	3	40	1-1571552-2
△ <sub>3</sub> △ <sub>2</sub>	TIN	TIN	.600±.005	.700	1.800	3	36	1-1571552-1
△ <sub>3</sub> △ <sub>2</sub>	TIN	TIN	.600±.005	.700	1.600	3	32	1-1571552-0
△ <sub>3</sub> △ <sub>2</sub>	TIN	TIN	.600±.005	.700	1.400	2	28	1571552-9
△ <sub>3</sub> △ <sub>2</sub>	TIN	TIN	.600±.005	.700	1.200	2	24	1571552-8
△ <sub>3</sub> △ <sub>2</sub>	TIN	TIN	.400±.005	.500	1.100	2	22	1571552-7
△ <sub>3</sub> △ <sub>2</sub>	TIN	TIN	.300±.005	.400	1.000	2	20	1571552-6
△ <sub>3</sub> △ <sub>2</sub>	TIN	TIN	.300±.005	.400	.900	2	18	1571552-5
△ <sub>3</sub> △ <sub>2</sub>	TIN	TIN	.300±.005	.400	.800	2	16	1571552-4
△ <sub>3</sub> △ <sub>2</sub>	TIN	TIN	.300±.005	.400	.700	2	14	1571552-3
△ <sub>3</sub> △ <sub>2</sub>	TIN	TIN	.300±.005	.400	.400	1	8	1571552-2

FINISH CONTACT/SLEEVE	"C" MAX	"B" MAX	"A" MAX	FIG	NO. OF POSN	PART NO.
-----------------------	---------	---------	---------	-----	-------------	----------

THIS DRAWING IS A CONTROLLED DOCUMENT.		DIN BSV 27JUL2004	Tyco Electronics Corporation Harrisburg, Pa 17105-3608	
DIMENSIONS: INCHES	TOLERANCES UNLESS OTHERWISE SPECIFIED:	APVD K. WRIGHT	NAME OPEN FRAME DIP, ECONOMY (STAMPED CONTACT) LEAD FREE (REF AUGAT 800 SERIES)	
0 PLC ± -	1 PLC ± -	PRODUCT SPEC	APPLICATION SPEC	RESTRICTED TO
2 PLC ± -	3 PLC ± .005	SIZE	CAGE CODE	DRAWING NO
4 PLC ± -	ANGLES ± -	WEIGHT	A1	00779
MATERIAL -	FINISH -	CUSTOMER DRAWING	SCALE 1:1	SHEET 2 OF 2
				REV E