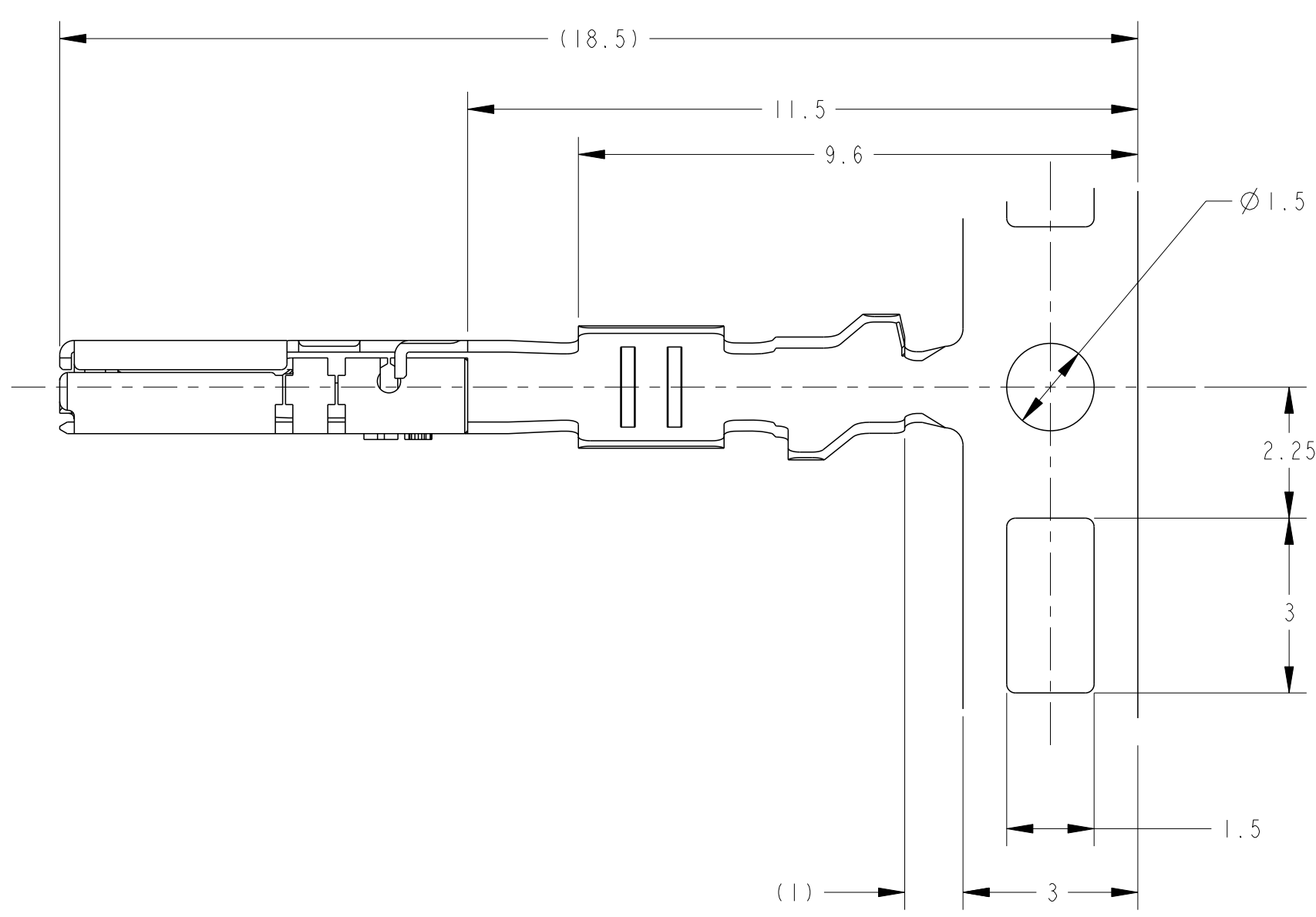
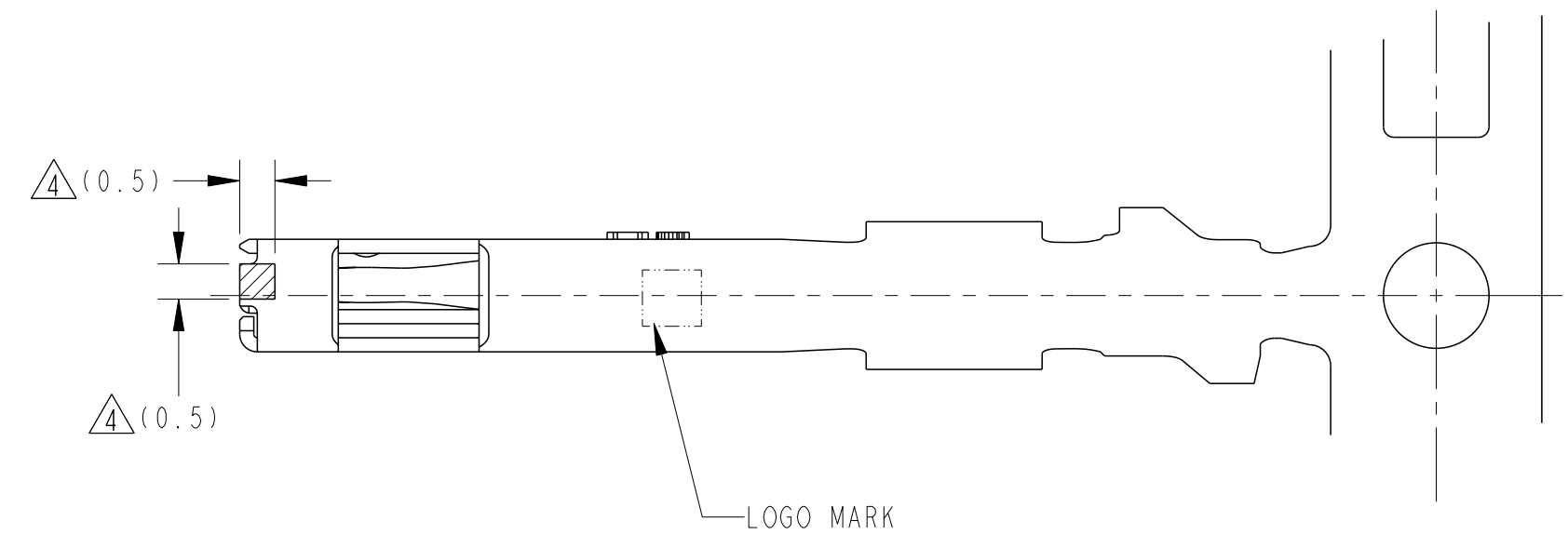
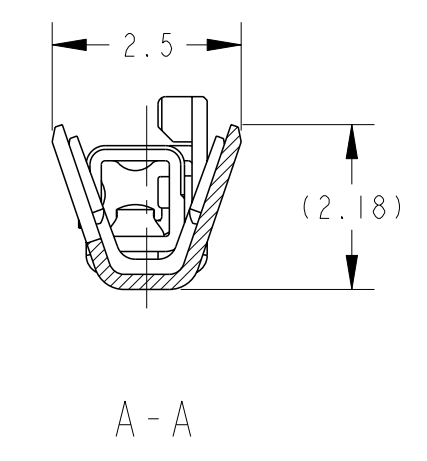
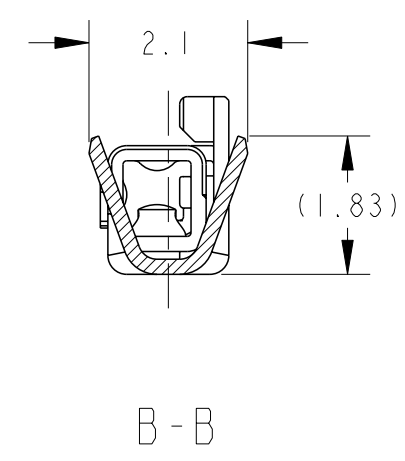
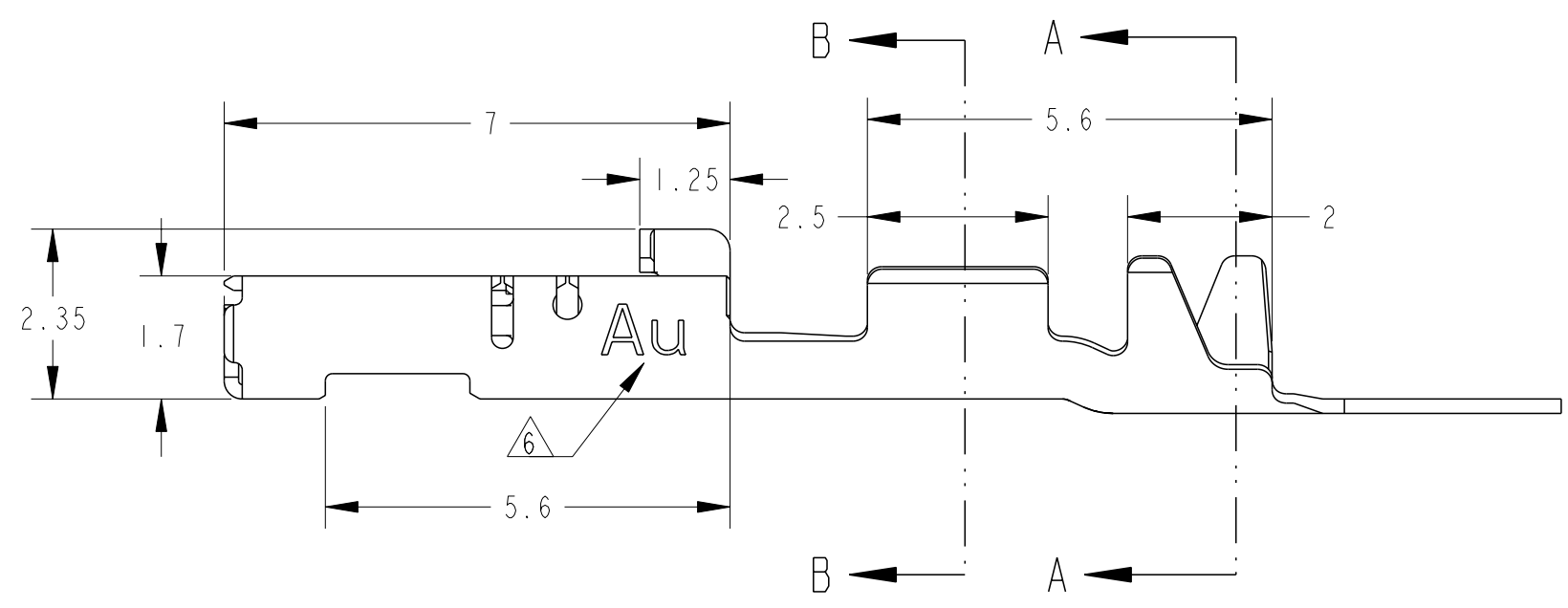
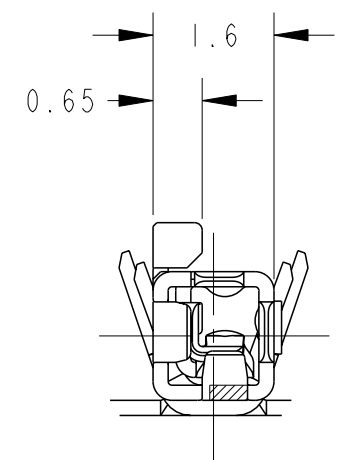


THIS DRAWING IS UNPUBLISHED. RELEASED FOR PUBLICATION 20
 © COPYRIGHT 2015 Tyco Electronics Japan G.K. ALL RIGHTS RESERVED.

LOC		DIST		REVISIONS			
P	LTR	DESCRIPTION		DATE	DWN	APVD	
	A1	REVISED PER ECO-11-005140		02APR2011	RK	HMR	
	B	REVISED ECR-15-012614		03ESP2015	KK	RK	
	B1	REVISED ECR-15-016492		13NOV2015	KK	RK	



1. 適用電線:
 AVSS, AVSSH-f 0.3~0.5mm²
 CAVS, CAVUS 0.3~0.5mm²
2. 圧着作業については、以下の規格を参照すること
 取付適用規格; 114-5329
3. アプリケータ送りピッチ; 8mm
- △ 寸法は識別用金めつき範囲を表す
 △ 接触部: 金めつき、バルレル部: すずめつき
 △ 識別用刻印
1. APPLICABLE WIRE RANGE ;
 AVSS, AVSSH-f 0.3~0.5mm²
 CAVS, CAVUS 0.3~0.5mm²
2. MUST BE REFERRED TO THE FOLLOWING DOCUMENTS FOR CRIMPING OPERATION
 APPLICATION SPEC ; 114-5329
3. APPLICATOR FEED; 8mm
- △ GOLD PLATED AREA FOR DISCRIMINATION
 △ CONTACT POINT; GOLD PLATING
 BARREL; TIN PLATING
 △ MARKING FOR IDENTIFICATION



△4 △5 △6	SELECTIVE GOLD, TIN	1674311-2
	PRE-TIN	1674311-1
	FINISH	PART NO.

THIS DRAWING IS A CONTROLLED DOCUMENT.

DWN: S. AMEMIYA 200CT2003
 CHK: H. YAMAGAMI 200CT2003
 APVD: K. ASAI 200CT2003

TE Connectivity

0.64111 SERIES CONNECTOR RECEPTACLE CONTACT

MATERIAL: Cu Alloy
 DIMENSIONS: mm
 TOLERANCES UNLESS OTHERWISE SPECIFIED:
 一般公差 ±0.3
 0-PLC ±0.5
 1-PLC ±0.5
 2-PLC ±0.13
 3-PLC ±0.013
 4-PLC ±0.0001
 ANGLES ±3°00'
 FINISH 仕上
 SEE TABLE

APPLICATION SPEC: 114-5329
 WEIGHT: 0.16 g
 Customer Drawing

SIZE: A2
 CAGE CODE: 00779
 DRAWING NO: C-1674311
 RESTRICTED TO: -

SCALE: 10:1
 SHEET: 1 OF 1
 REV: B1