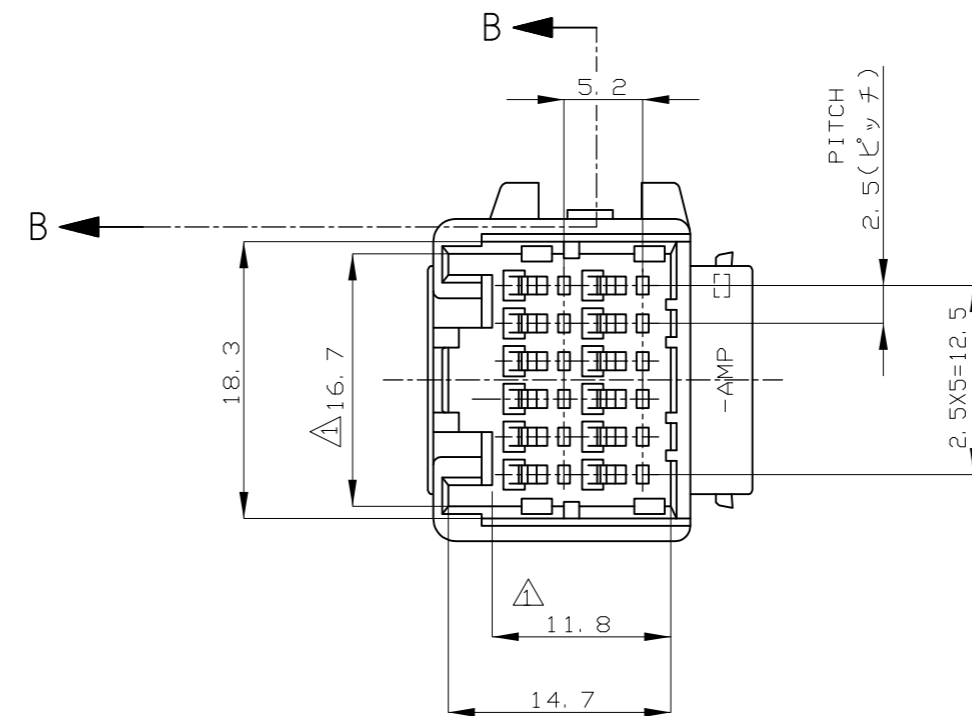
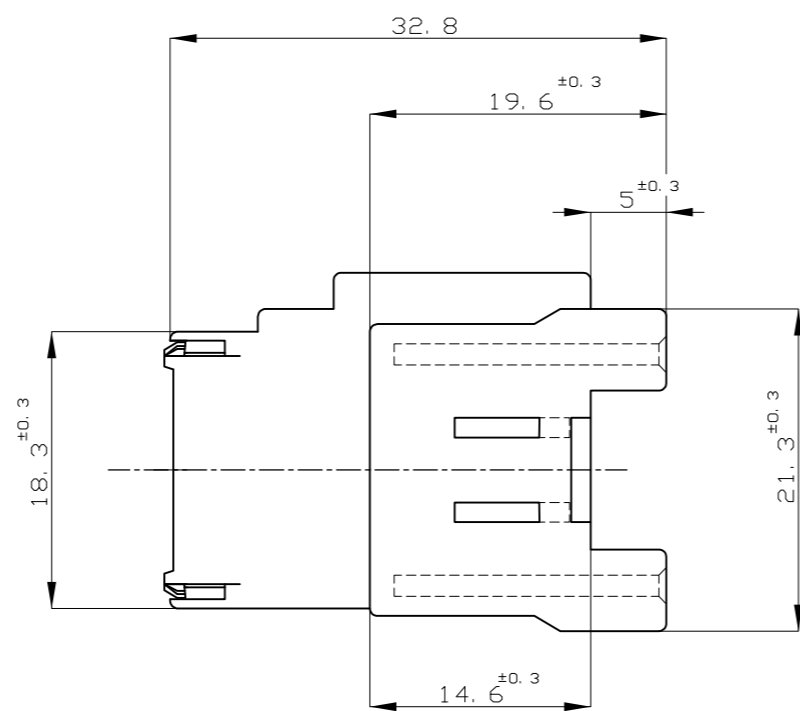
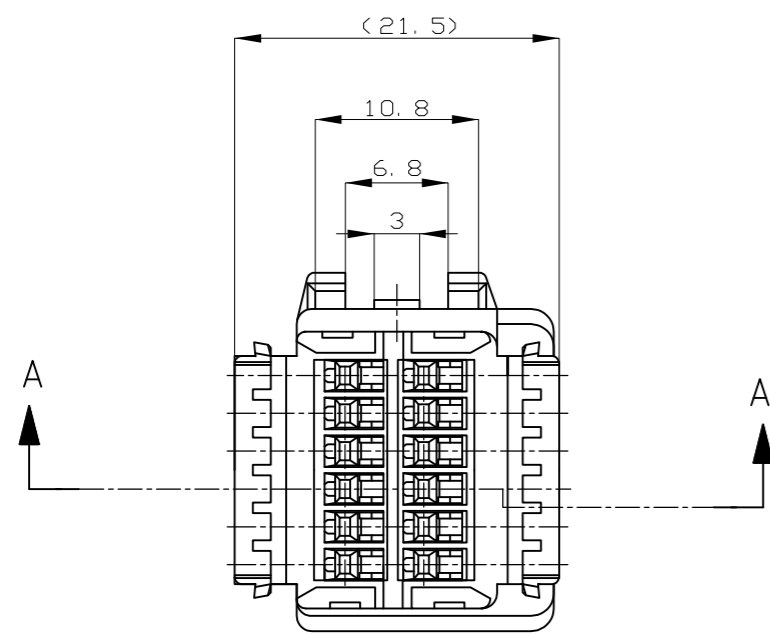


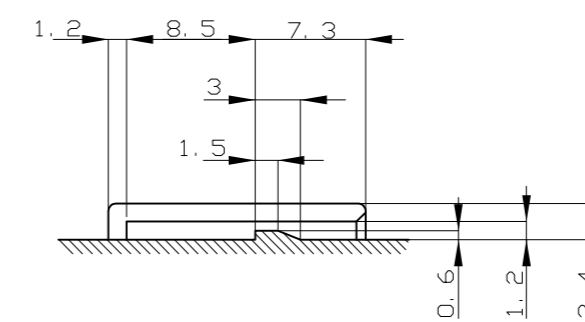
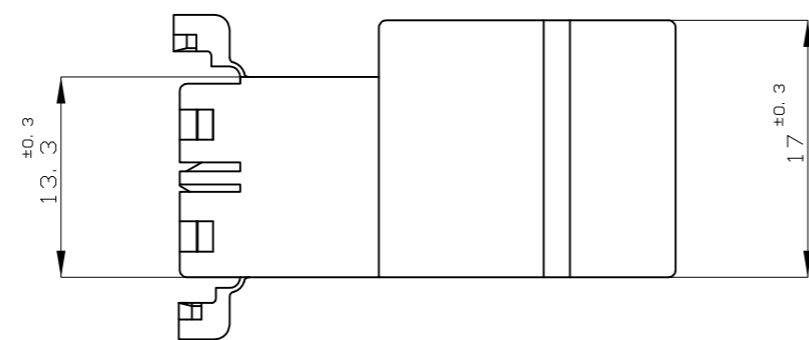
THIS DRAWING IS UNPUBLISHED. RELEASED FOR PUBLICATION  
 © COPYRIGHT - By - ALL RIGHTS RESERVED.

LOC		DIST		REVISIONS			DATE	DWN	APVD
P	LTR	DESCRIPTION							
	A2	REVISED PER ECO-11-005140			29MAR11	RK	HMR		

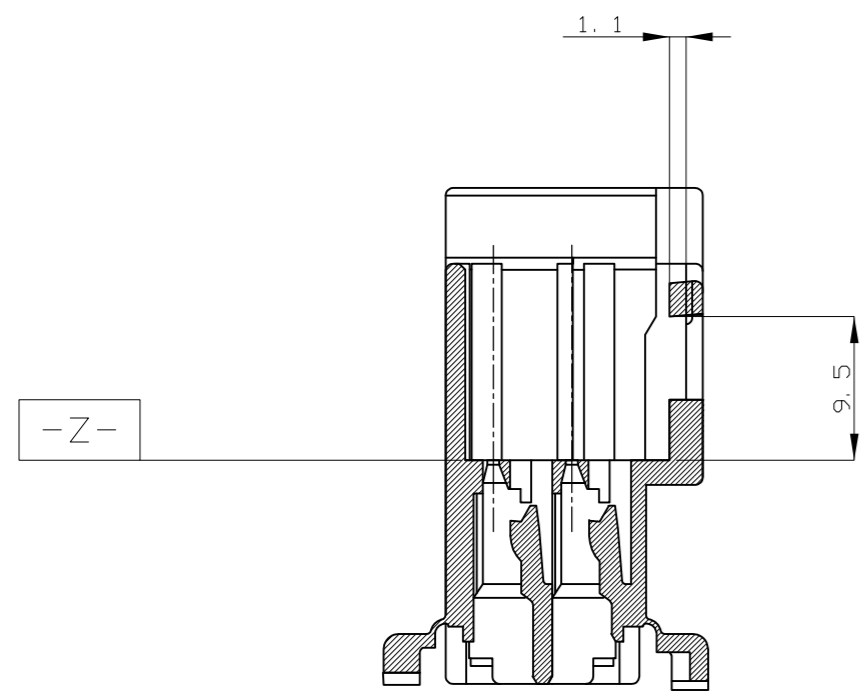


△ TO BE MEASURED WITHIN 2mm FROM [-Z-]  
 2. APPLICABLE TERMINAL NO. 173682

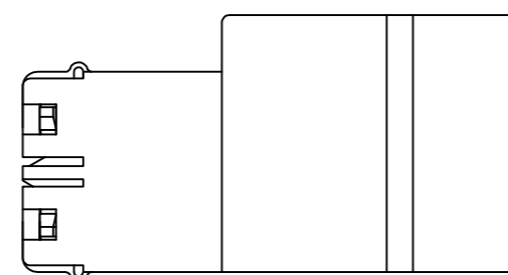
△ [-Z-] 面から2mmの範囲で測定  
 2. 適用端子型番：173682



B-B



A-A



二重ロック時  
 DOUBLE LOCKED

青 (BLUE)	174058-5
緑 (GREEN)	174058-4
黒 (BLACK)	174058-2
色 (COLOR)	製品型番 (PART NO.)

TOLERANCE UNLESS OTHERWISE SPECIFIED:  
 一般公差

0 < x ≤ 10	: ±0.2
10 < x ≤ 30	: ±0.25
30 < x ≤ 100	: ±0.3
ANGLE	: ±3°

THIS DRAWING IS A CONTROLLED DOCUMENT.		DWN M.SUGAWARA 04AUG06	TE Connectivity	
DIMENSIONS: 単位: 寸 mm		CHK K.BETSUI 04AUG06	NAME 12POSITION CAP HOUSING 040SERIES MULTI-LOCK CONNECTOR	
TOLERANCES UNLESS OTHERWISE SPECIFIED: 一般公差		APVD K.BETSUI 04AUG06	DRAWING NO 174058	
0 PLC ± 1 PLC ± 2 PLC ± 3 PLC ± 4 PLC ± ANGLES ±		PRODUCT SPEC 製品規格 108-5352	RESTRICTED TO	
MATERIAL 材料 PBT		APPLICATION SPEC 取付適用規格	SIZE A2	CAGE CODE 00779
FINISH 仕上 SEE TABLE		WEIGHT -	DRAWING NO 174058	
		CUSTOMER DRAWING		SCALE 尺度 2:1
				SHEET 1 of 1
				REV A2