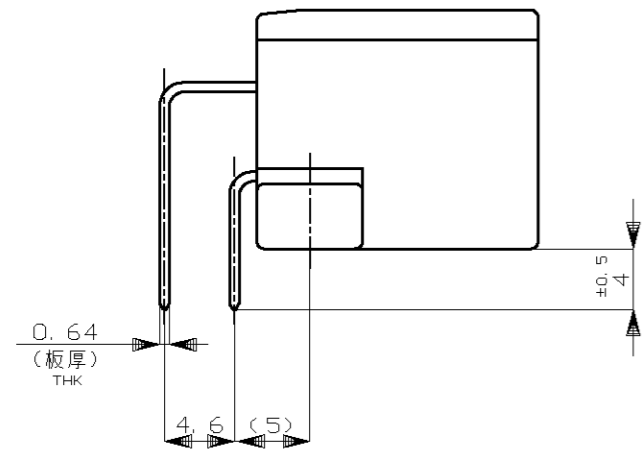
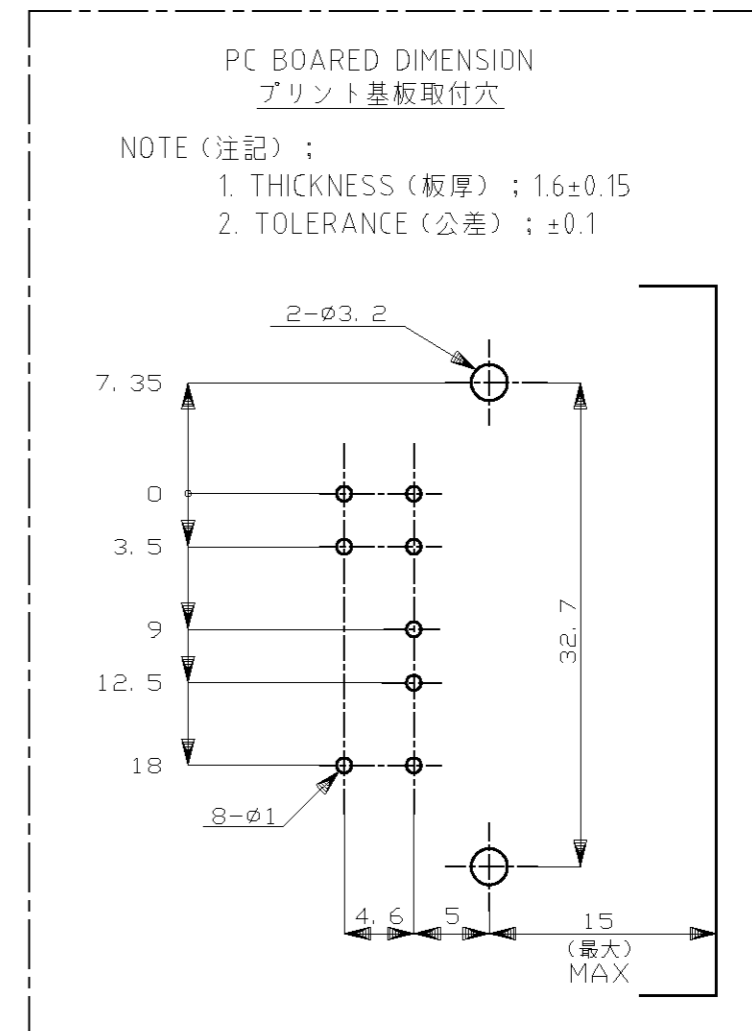
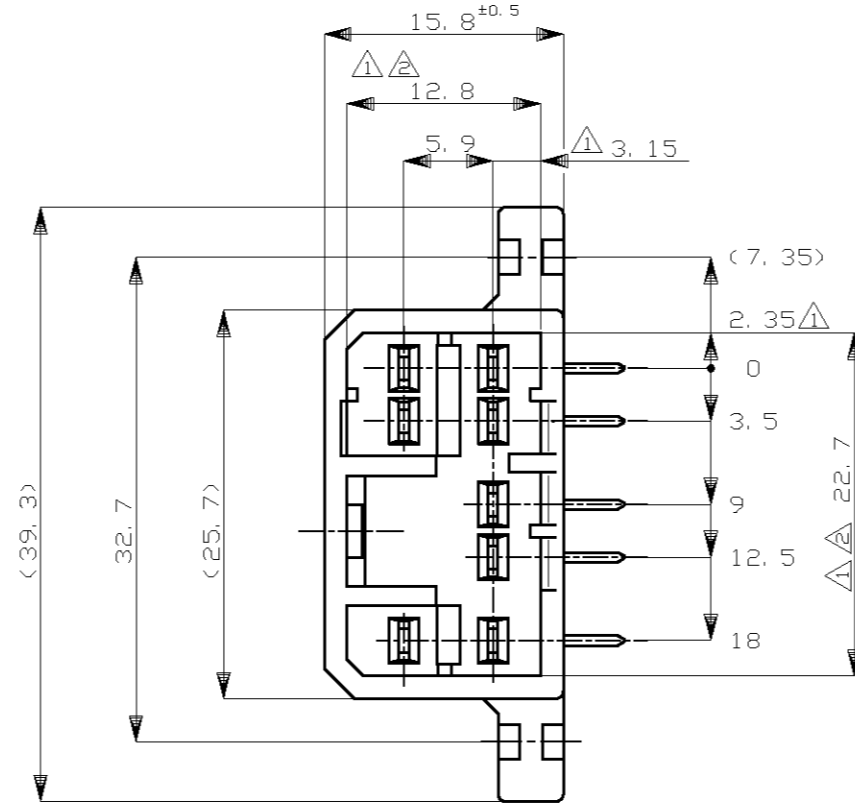
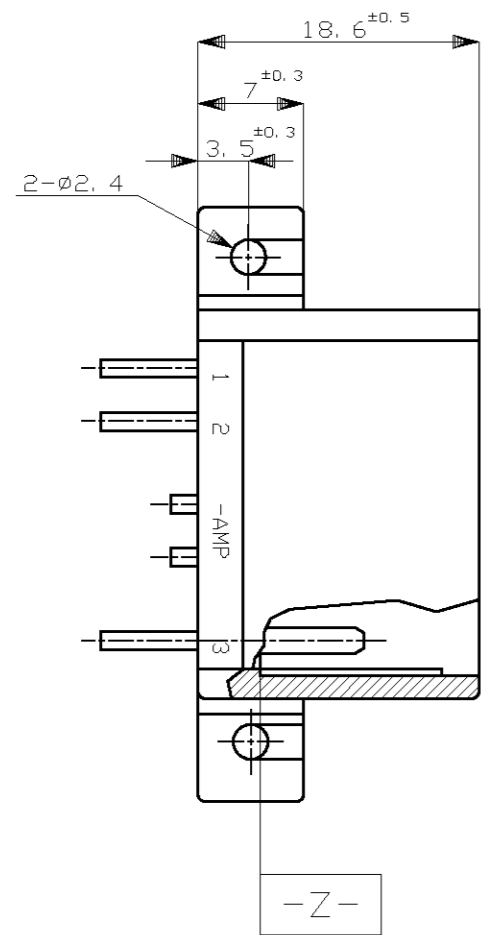
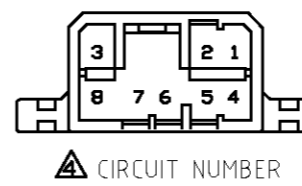


THIS DRAWING IS UNPUBLISHED. RELEASED FOR PUBLICATION
 © COPYRIGHT BY TYCO ELECTRONICS CORPORATION. ALL INTERNATIONAL RIGHTS RESERVED.

LOC	DIST	REVISED				DATE	DWN	APVD
		P	LTR	DESCRIPTION				
		J4	REVISED	ECR-09-021798		05OCT09	SF	KB



- △ [-Z-] 面より2mmの範囲で測定。
- △ 相手ハウジングと所定の機能を満足して嵌合できること
- 3. プリント基板への取付は、JIS B1115又は1122、M3×6ナベ (2種又は4種) のタッピンネジで締付けた後ハンダ付する (締付けトルク: 0.4N-m 以下)
- △ 回路番号: 右図参照のこと。
- △ 回路番号1~3; タブなし
- △ 型番 2-173856-6のタブの位置は、回路番号の1,2,3,4,6,8とする
- △ 型番 5-173856-1のタブの位置は、回路番号の4,8とする



- △ TO BE MEASURED BETWEEN [-Z-] AND 2
- △ TO BE MATE WITH PLUG HSG SMOOTHLY
- 3. TO BE USE M3 TAPPING SCREW JIS B1115 OR 1122 (TYPE 2 OR 4) BEFORE SOLDER (TIGHTENING TORQUE; 0.4N-m MAX.)
- △ CIRCUIT NUMBER
- △ CIRCUIT NUMBER 1~3; NON TAB
- △ TAB POSITIONS OF PART NUMBER 2-173856-6; CIRCUIT NUMBER 1,2,3,4,6,8
- △ TAB POSITIONS PF PART NUMBER 5-173856-1; CIRCUIT NUMBER 4,8

HB			△ 4, 8Pos. (2極)	白 (WHITE)	5-173856-1
V-0			1~8Pos. (全極)	白 (WHITE)	4-173856-1
HB			△ 1~4,6,8Pos. (6極)	灰 (GRAY)	2-173856-6
SEE 3-173856-1					
V-2			1~8Pos. (全極)	白 (WHITE)	9-173856-1
HB			△ 4~8Pos. (5極)	白 (WHITE)	2-173856-1
			1~8Pos. (全極)	灰 (GRAY)	173856-6
			1~8Pos. (全極)	白 (WHITE)	1-173856-1
			1~8Pos. (全極)	青 (BLUE)	173856-5
			1~8Pos. (全極)	緑 (GREEN)	173856-4
			1~8Pos. (全極)	白 (WHITE)	173856-1
USED MATERIAL FLAMMABILITY	はんだめっき POST TIN-LEAD	金めっき SELECTIVE GOLD	錫めっき PRE-TIN	ハウジング色 HOUSING COLOR	型番 PART NUMBER
回路番号 CIRCUIT NUMBER △					

THIS DRAWING IS A CONTROLLED DOCUMENT.

DIMENSIONS: 単位: 寸 mm	TOLERANCES UNLESS OTHERWISE SPECIFIED: 一般公差	DWN: 19SEP03 T.SHINOHARA	Tyco Electronics Corporation Kawasaki, Japan
0 PLC ±	1 PLC ±	CHK: 19SEP03 K.BETSUI	
2 PLC ±	3 PLC ±	APVD: 19SEP03 K.BETSUI	070 SERIES MULTI-LOCK CONNECTOR 8POSITION CAP HOUSING ASSEMBLY
4 PLC ±	ANGLES ±	PRODUCT SPEC: 108-5216	
MATERIAL: HOUSING: PBT CONTACT: BRASS	FINISH: 仕上	APPLICATION SPEC: 取付適用規格	SIZE: A2 CAGE CODE: 00779 DRAWING NO: 173856
TOLERANCE UNLESS OTHERWISE SPECIFIED: 一般公差		WEIGHT: 5.55g	RESTRICTED TO: -
0 < x ≤ 10 : ±0.2		CUSTOMER DRAWING	SCALE: 2:1 SHEET: 1 of 1 REV: J4
10 < x ≤ 30 : ±0.25			
30 < x ≤ 100 : ±0.3			
ANGLE: ±3°			