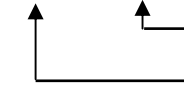
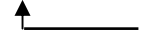


SPECIFICATIONS

[General Specifications]

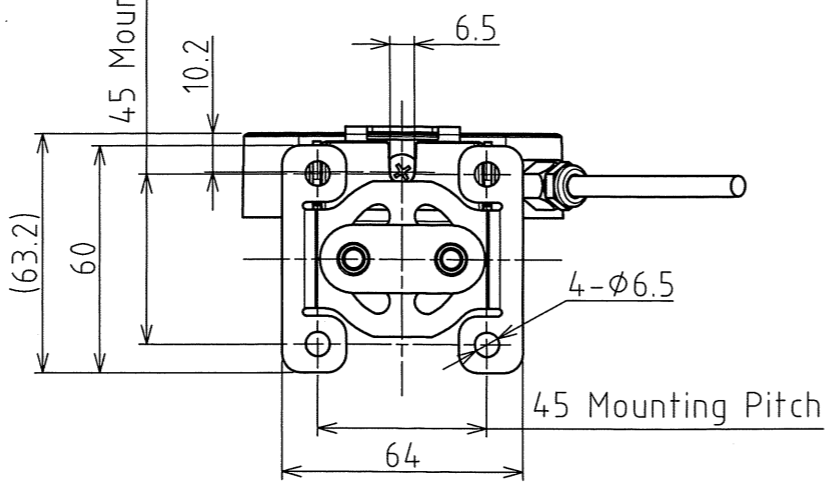
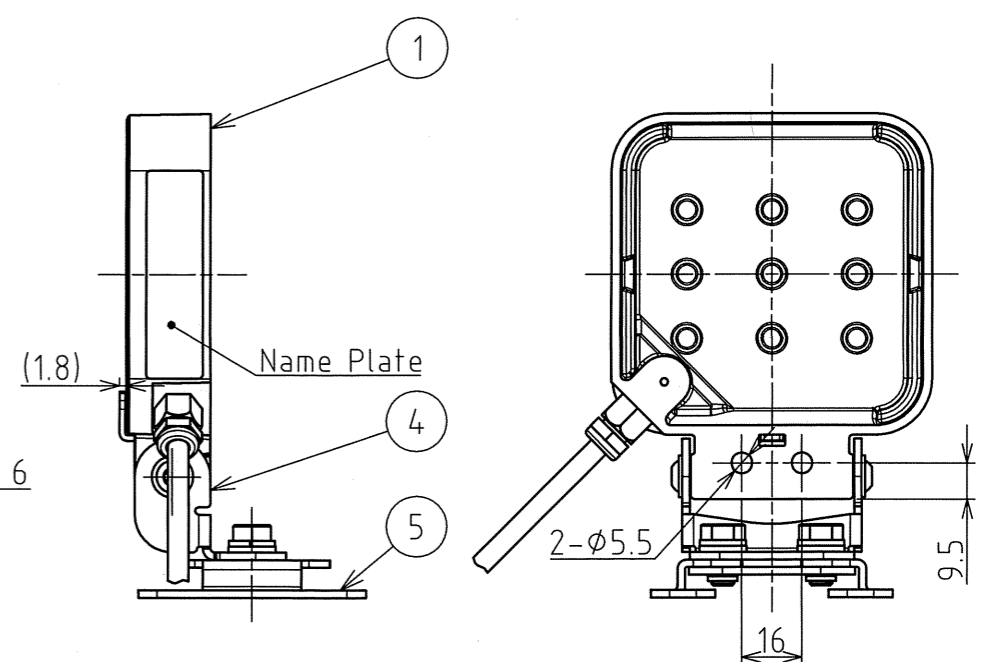
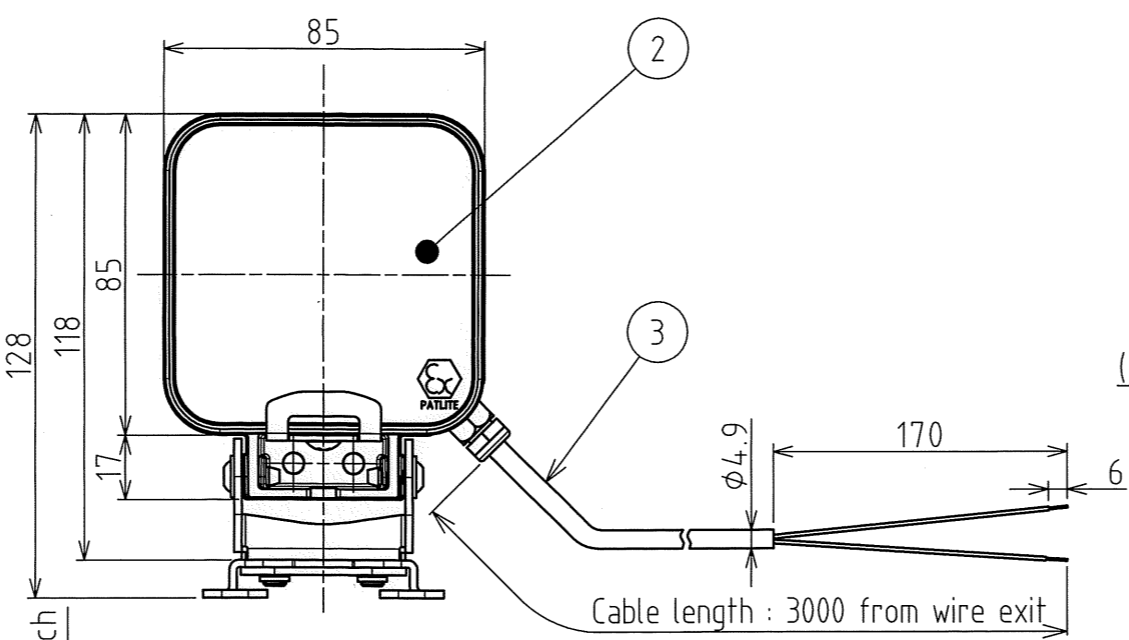
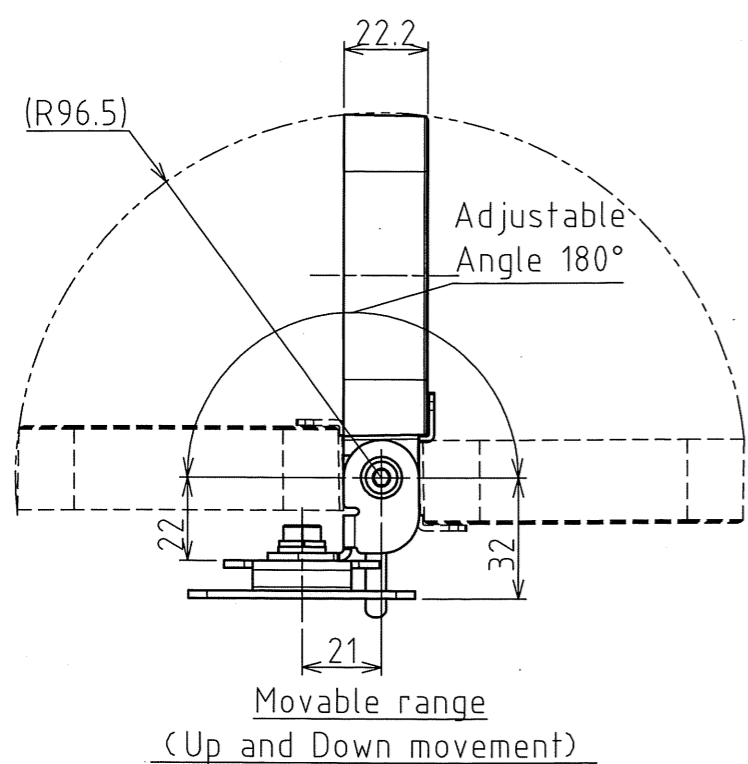
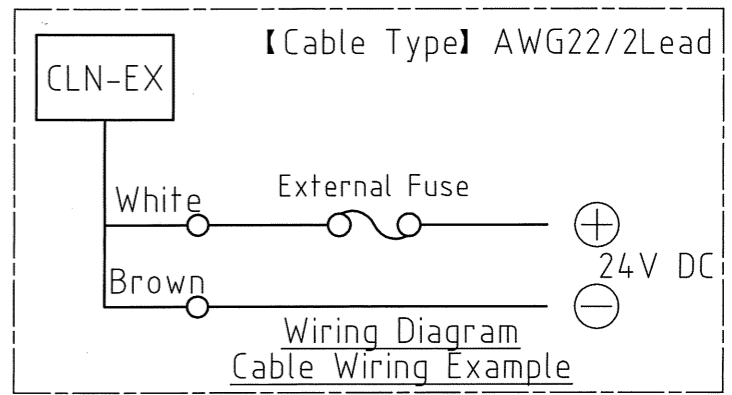
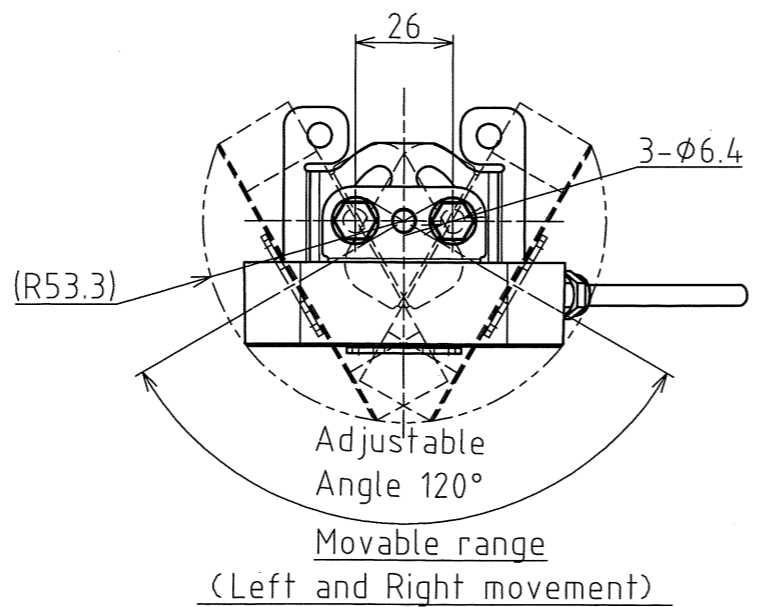
Model	CLN-24-□-PT-EX	
Color Code	CD	CL
Luminous Color	Daylight	Warm White
Color Temperature (typ.)	6500 K	2700 K
Illuminance (typ.) (Center, at 24V DC)	1.0m	820 lx
	2.0m	200 lx
Total Luminous Flux (typ.)	550 lm	330 lm
Rated Voltage	24V DC (Polarized)	
Operating Voltage Range	24V DC ±10%	
Rated Current Consumption	174mA ±10%	
Rated Power Consumption	4.2W	
Operating Ambient Temperature	-40°C ~ +60°C	
Operating Ambient Humidity	90%RH or less, no condensation	
Main Unit Material	Body : Aluminum Alloy , Lens : Tempered Glass	
Mounting Location	Indoor	
Mounting Direction	All Directions	
Protection Rating	IP66G/67G (JIS C0920) /69K (DIN 40050 part9)	
Environmental Condition	Cable Connector not included	
Insulation Resistance	500V DC 5MΩ or more	
Withstand Voltage	500V AC for 1 minute (between terminals and chassis)	
Vibration Resistance	30Hz Total amplituded 0.3mmp-p Back and Forth, Up and Down, Left and Right for 2hrs. Each Total amplituded 0.3mmp-p(10 to 57Hz) Acceleration 19.6m/s ² (57 to 150Hz) (JIS C60068-2-6)	
Mass (Tolerance ±10%)	430g	
Dimensions	Refer to Refer to Outer Appearance Drawing	
Conformity Standards	Conforms to the CE requirements:EN 55015, EN 61000-6-2 RoHS Directive(DIRECTIVE 2011/65/EU)	
Explosion Protection Ratings	⊕ GD; Ex nA IIC T4 Gc ; Ex tc IIIC T135°C Dc IP65 CENELEC: EN60079-0, EN60079-15, EN60079-31	
Remarks	<p>• Model Number Configuration</p> <p style="text-align: center; font-size: 1.2em;">CLN - 24 - □ - PT - EX</p> <div style="display: flex; justify-content: space-around; align-items: center;"> <div style="text-align: center;">  <p>● Luminous Color CD : Daylight 、 CL : Warm White</p> </div> <div style="text-align: center;">  <p>● Movable type : Pan/Tilt</p> </div> </div> <p>※1 Specifications and dimensions may change without prior notice for improvements, etc.</p> <p>※2 Due to the characteristics of the LED, color temperature, brightness and hue will differ for every LED and every product.</p>	

No. CLN-24-PT-EX18A

PATLITE Corporation

指定公差 General Tolerance	角度公差 ±[°]				寸法公差 ±[mm]					符号 Sym.	年月日 Date	訂正履歴 Revisions	記印 Sgn.	検印 Chk.	承認 App.	
	短辺 Length of short side	長辺 Length of long side	~	100	~	6	30	120	300							1000
精 f	10	50	100	~	精 f	0.05	0.1	0.2	0.4	0.6	△-					
中 m	1	0.5	0.3	0.1	中 m	0.1	0.3	0.5	0.7	1	△-					
粗 c	3	1.5	1	0.5	粗 c	0.3	0.5	1	1.2	2	△-					

質量 Mass
g



5	Pan-Bracket		1	SUS304, t2.0	
4	Tilt-Bracket		1	SUS304, t2.0	
3	Power Cable		1	AWG22 / 2Lead	
2	Glass (Lens)		1	Tempered Glass	
1	Body		1	Aluminium Alloy	
番号 No.	部品名 Part Name	品目コード Part No.	数量 Qty.	材料 & 寸法 & 処理 Material & Size & Finish	記事 Remarks

Name	Model CLN-24-□-PT-EX
Outer Appearance Drawing	Part No.
Drawing No. CLN-24-PT-EX18A	

3rd Angle Unit mm Scale 1:2

PATLITE Corporation