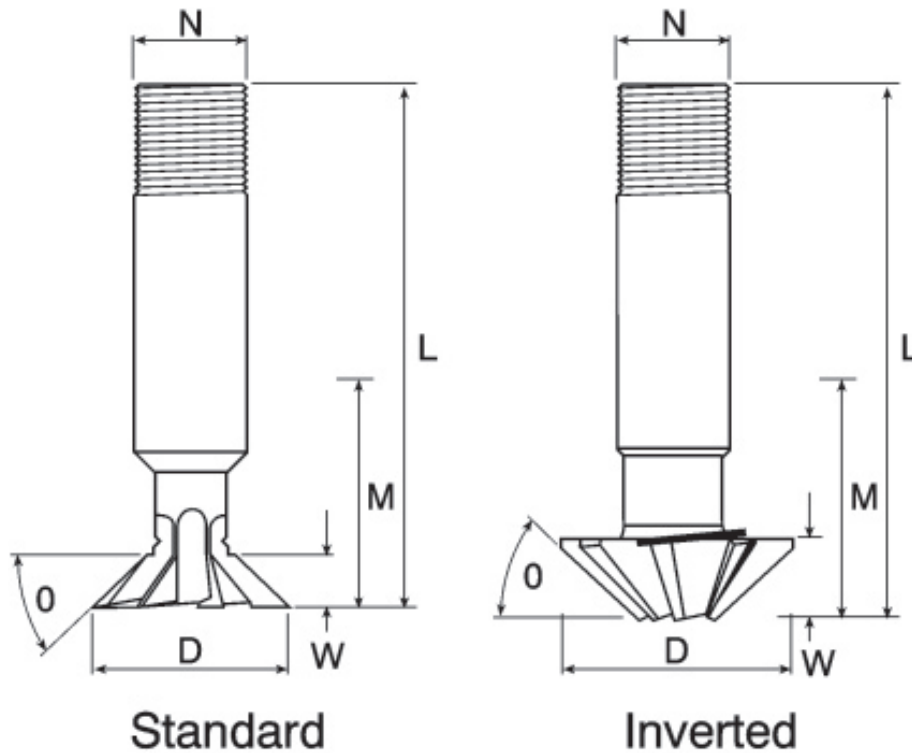


Dovetail Cutters: Autolock Type

Six flute, HSS right-hand dovetail cutters



RS Stock Number	Linear Code	Style	Angle	Dimension D (mm)	Dimension W (mm)	Dimension L (mm)	Dimension M (mm)	Dimension N (mm)
522-8017	31-545-130	Standard	45 degs.	13	3	63.5	25	12mm
522-8023	31-545-160	Standard	45 degs.	16	4	66.5	28.5	12mm
522-8045	31-545-190	Standard	45 degs.	19	5.5	66.5	28.5	12mm
522-8051	31-545-250	Standard	45 degs.	25	7.5	70	31.5	12mm
522-8067	31-745-130	Inverted	45 degs.	13	3	63.5	25	12mm
522-8073	31-745-160	Inverted	45 degs.	16	4	66.5	28.5	12mm
522-8089	31-745-190	Inverted	45 degs.	19	5.5	66.5	28.5	12mm
522-8095	31-745-250	Inverted	45 degs.	25	7.5	70	31.5	12mm
522-8012	31-560-190	Standard	60 degs.	19	7	67.5	29.5	12mm
522-8118	31-560-250	Standard	60 degs.	25	12	70	31.5	12mm