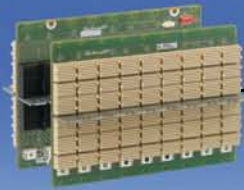




**Schroff®**  
**MAIN CATALOG**

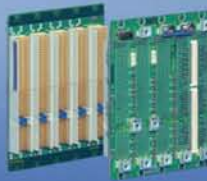
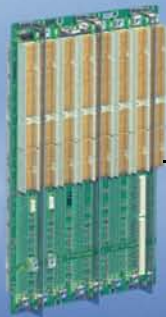
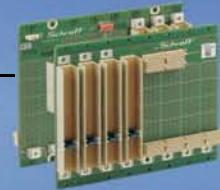
# Backplanes

- Overview . . . . . 0
- Cabinets . . . . . 1
- Wall mounted cases . . . . . 2
- Accessories for cabinets and wall mounted cases 3
- Climate control 4
- Desk-top cases 5
- Subracks/ 19" chassis . . . 6
- Front panels, plug-in units . . 7
- Systems . . . . . 8
- Power supply units . . . . . 9
- Backplanes . . 10**
- Connectors, front panel component system . . . . . 11
- Appendix . . . . . 12



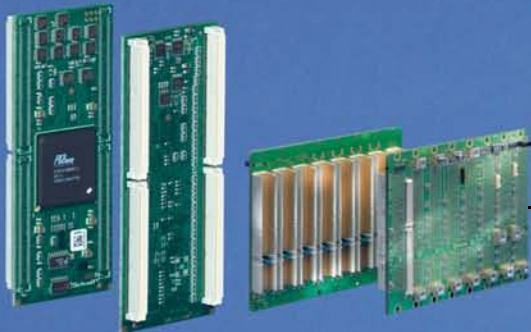
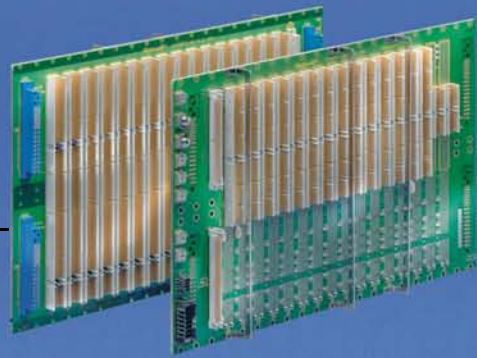
## CompactPCI Serial

## CompactPCI PlusIO



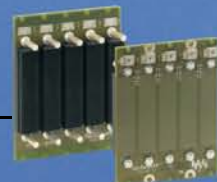
## CompactPCI backplanes and bridges

## CompactPCI, PSB and H.110 backplanes

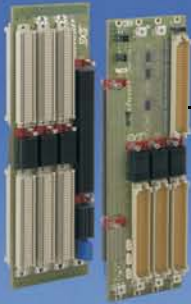


## PXI backplanes

## VPX backplanes



# Backplanes

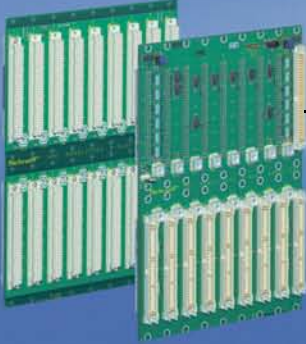
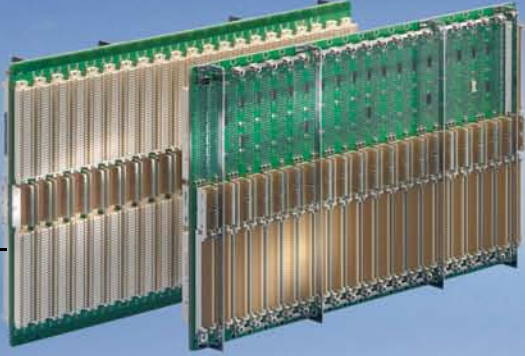


## VXS backplanes

---

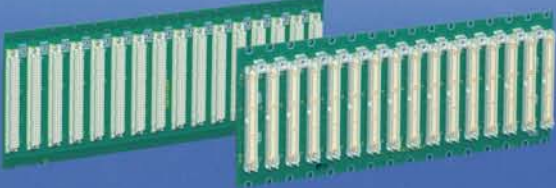
## VME64x backplanes

---



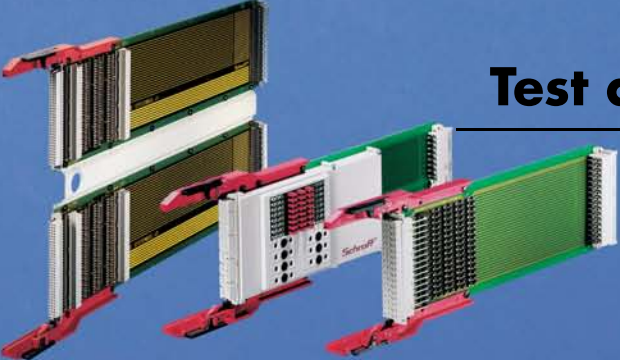
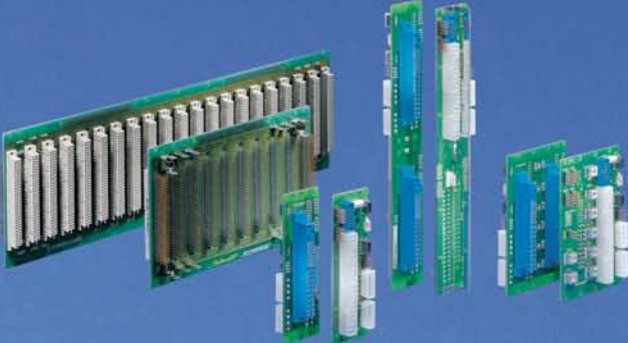
## VME backplanes

---



## Power and universal backplanes

---



## Test adaptors

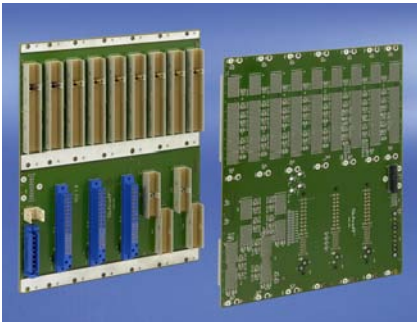
---

- Overview .... 10.0
- Backplanes ..... 10.2
  - CompactPCI
    - Serial ..... 10.4
    - Plus I/O ..... 10.5
    - System slot right 10.6
    - System slot left . 10.7
  - Packet switching, H.110 backplanes ..... 10.8
  - Bridge ..... 10.9
  - Secondary, system slot right 10.10
  - PXI
    - Backplanes ..... 10.11
    - Bridge ..... 10.11
  - VPX ..... 10.12
  - VXS ..... 10.14
  - VME64 extension 10.13
  - VMEbus
    - Monolithic J1/J2 10.15
    - J1 (3 U) ..... 10.16
    - J2 (3 U) ..... 10.17
  - Power backplanes
    - With P47 connector ..... 10.18
    - Power Piggyback ..... 10.18
  - Universal backplanes
    - Backplane with/without through-connected signal lines ..... 10.19
  - Test adaptors
    - Types B, C, D, E, F, H, M ..... 10.20
    - For VMEbus ..... 10.25
    - Board guides ... 10.27
    - Type/board versions ..... 10.28
    - Dimensions test adaptors.... 10.28
  - Assembly material ..... 10.28
  - ServicePLUS .. 10.29

36106010 12402005 12606003 12406003 12606005 12096003 11902001 11192004 11100013 11100010

# Backplanes

Our competence in overview



Custom backplane



Project management



Development



Layout



Test laboratory

## Comprehensive standard backplane programme

**AdvancedTCA - MicroTCA - CompactPCI - VME** - Schroff offers you an extensive standard backplane programme that is already ideally matched to your requirements. Should you still not find your backplane in our range, we can develop or modify to create your tailor-made backplane, quickly and on attractive terms. All our developing and manufacturing is done in-house and competent personnel are available at any time to deal with technical questions, quotes and project support.

## Custom development to customer requirements

From minor modifications to our standard backplanes through to specific form factors and connection topologies, Schroff has the right solution for you

## One contact partner as customer interface

Competent personnel are available at any time for technical questions, quotes, project support and after-sales care. If you wish, we are also happy to help you generate the specification for your custom backplane. Contact at an early stage between our technical staff and our customers helps us to develop cost-optimised projects that meet all our customers' requirements.

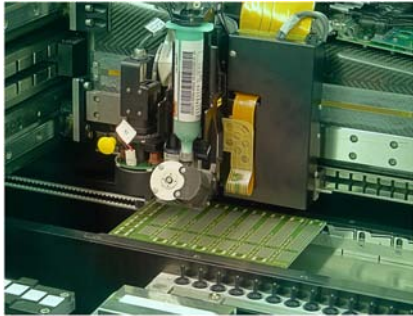
## Many years of experience

50 years of experience, continual fundamental research and innovation in the backplane sector. Active participation in standards committees and in the specification of new system architectures and high-speed transmission technologies.

## Modern design tools

Modern simulation tools and measurement equipment plus in-house developed high-performance test adaptors. Development of new technologies and topologies using high-speed measurements performed in-house.

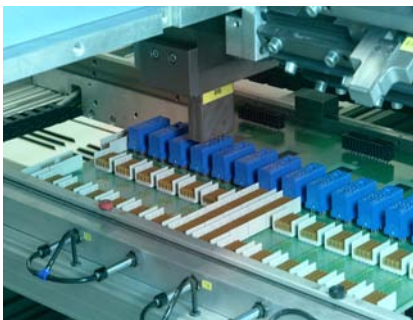
## Our competence in overview



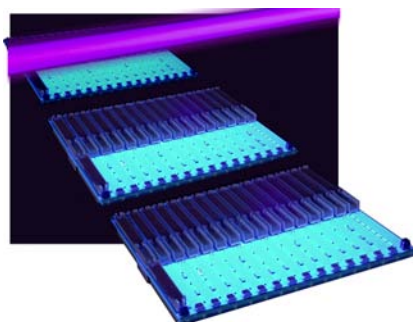
Solder paste printing



Automatic optical inspection (AOI)



Connector mounting



Conformal coating



Electrical final test

### Modern machine facilities in Straubenhardt

**Solder paste printing** is one of the quality-defining process steps in backplane manufacture. This solder-paste printer, based on innovative inkjet technology, allows fast, flexible and highly dependable solder paste printing. Since the process dispenses with the 'stencils' required by other methods, the printing program can be changed in a very short time. This means that small batches can also be printed cost-effectively.

Our modern **SMD placement machines** support a wide spectrum of components with a high placement performance. Small and large production runs can be implemented flexibly and time-efficiently.

**Vapour-phase soldering**, also known as vapour-phase reflow, is currently the most universal and most reliable soldering process. It is ideally suited to all types of SMD component and carrier material. The homogenous temperature distribution of the carrier medium allows the widest variety of sub-assemblies, from Flexprints to multilayer boards, to be soldered reliably without danger of overheating.

There is also the option of processing conventional components with our **wave-soldering system**.

**Automatic optical inspection (AOI)** is an optical test procedure for sub-assemblies equipped with components. Highly-developed image processing systems reliably detect faulty soldered joints and wrongly placed or missing components.

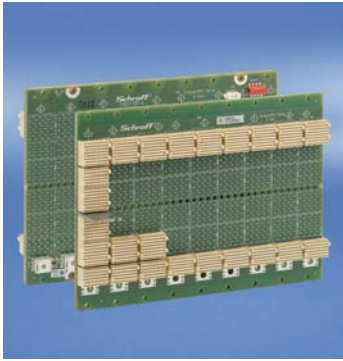
Connectors are pressed into the backplane fully automatically. The **press-in technique** allows quick and economic mounting of the connector without subjecting the PCB to thermal stress. The press-in action creates a gas-tight, dependably electrically conductive and mechanically strong connection. Intelligent force/displacement measuring during the press-in action ensures consistent high quality.

Backplanes that are subject to particular climatic stresses can be coated with a **protective lacquer (conformal coating)**. This coating protects the backplane from e.g. corrosion and mould. The fluorescent characteristic of the protective coating enables the coating to be checked for completeness or damage under UV light.

No backplane leaves our production facility without **100% testing**. All backplanes are subjected to extensive electrical testing before despatch. An automatic process checks the entire backplane for continuity and short circuits. This testing also covers passive and simple active components such as resistors, capacitors and diodes and the description and testing of I2C EEPROMS or bus terminations. For this Schroff has a comprehensive automated and semi-automated testing facility.

# Backplanes - CompactPCI

## CompactPCI Serial



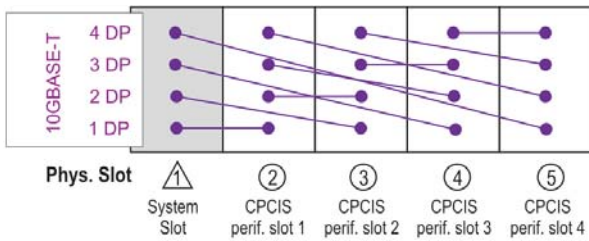
12411003



12411006

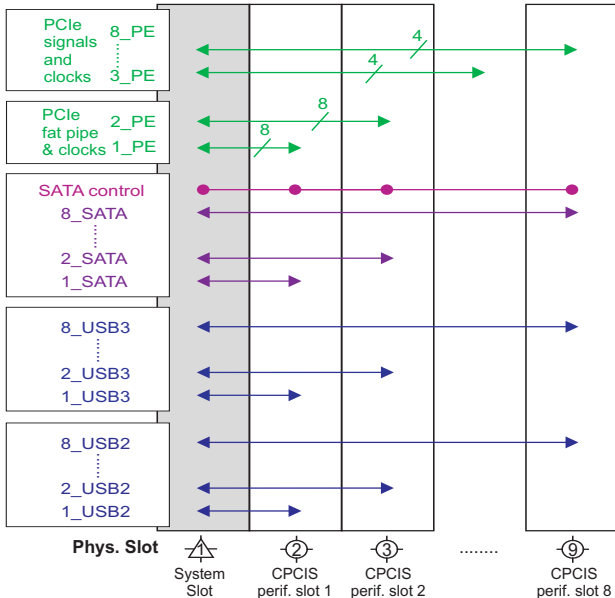
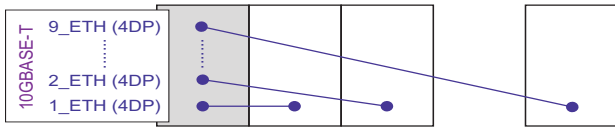
Photo shows 23007-612

Photo shows 23007-614



12411051

Ethernet full mesh topology



12410052

PCIe, S-ATA & USB topology

- In accordance with PICMG CompactPCI Serial (CPCI-S.0 R1.0) specification
- 1 system slot (left) and 1 ... 8 peripheral slots
- Supports PCIe (Gen3), USB 2.0 and USB 3.0, S-ATA (II & Rev. 3.0) and Ethernet (10GBase-T)
- PCIe: two 8 x lanes and six 4 x lanes
- Power supply to +12 V payload supply via powerbugs
- Power supply to +5 V auxiliary via powerbugs
- Utility and IPMB connectors on rear of backplane
- Mechanical centring and keying/coding strip in stainless steel on every fully equipped front and rear slot

**NEW**

### Delivery comprises

Item	Qty	Description
1	1	Backplane
2	1	Set of screws, M4x6, with lock washer; to attach the power connection cable to the power bugs

### Order Information

CompactPCI Serial	Number of slots	Width mm	Height U	Part no.
Full-mesh Ethernet, without rear I/O	9	181.9	3	23007-611
Full-mesh Ethernet, with rear I/O	9	181.9	3	23007-613
Single-star Ethernet, without rear I/O	9	181.9	3	23007-612
Single-star Ethernet, with rear I/O	9	181.9	3	23007-614
Single-star Ethernet, without rear I/O	4	80.8	3	23007-624
Single-star Ethernet, without rear I/O	5	101.1	3	23007-625

### Accessories

<b>SM bus/IPMB cable</b> 4 individual wires with SMB plug to open end, length 750 mm, 1 piece	23204-113
<b>Utility cable MicroMatch</b> with single conductors, length 600 mm, 1 piece	23204-812
<b>Utility cable MicroMatch</b> with flat ribbon cable, length 600 mm, 1 piece	23204-811
<b>Screws, washers for backplane mounting</b>	<b>Page 10.28</b>



For further information [www.schroff.biz/oneclick](http://www.schroff.biz/oneclick)  
oneClick search code = Part no.

# Backplanes - CompactPCI

## CompactPCI PlusIO

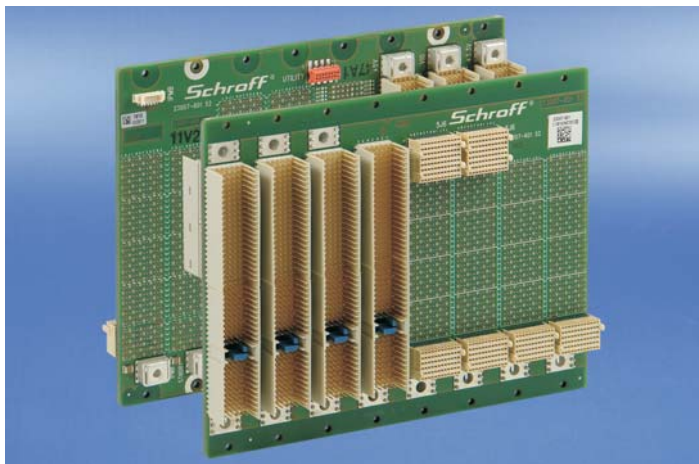
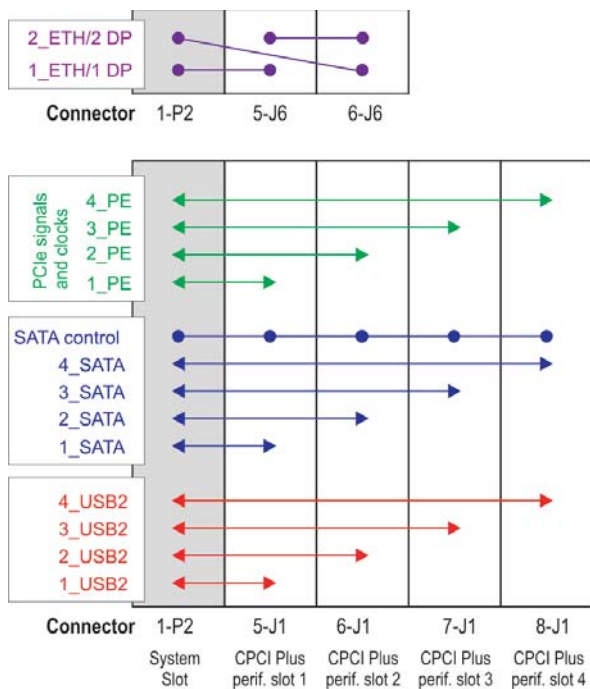


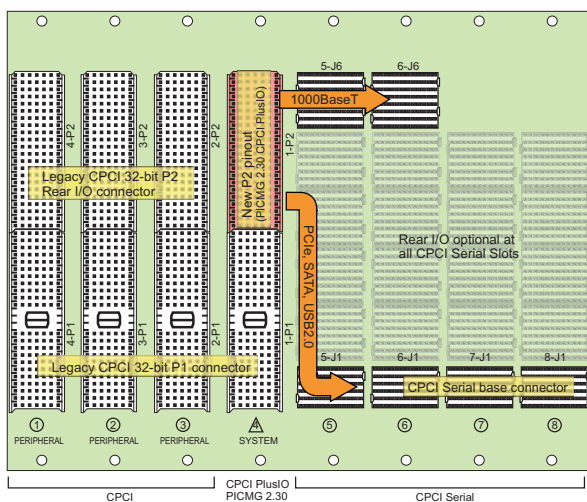
Photo shows 23007-601

12411009



Topology shows 23007-601

12409053



Front view

12409051

- In accordance with:
  - PICMG 2.0 R3.0 CompactPCI Core Specification
  - PICMG 2.1 R2.0 Hot-Swap Specification
  - PICMG 2.9 R1.0 System Management Bus Specification
  - PICMG 2.10 R1.0 Keying Specification
  - PICMG 2.30 R1.0 CompactPCI PlusIO specification
  - PICMG CompactPCI Serial (CPCI-S.0 R1.0) specification
- System slot in accordance with PICMG 2.30, 32-bit CPCI bus on P1, PCIe, S-ATA, USB & Ethernet on P2
- CompactPCI peripheral slots, 32 bit with rear I/O on P2
- CompactPCI Serial peripheral slots with PCIe x1, S-ATA and USB
- Full-mesh Ethernet on system slot and 2 CompactPCI Serial slots, supports 1000Base-T and 10GBase-T
- Rear I/O on the CompactPCI Serial slots available on request
- V(I/O) can be set to 3.3 V or 5 V (preset to 5 V)

**NEW**

### Delivery comprises

Item	Qty	Description
1	1	Backplane
2	1	Set of screws, M4x6, with lock washer; to attach the power connection cable to the power bugs

### Order Information

Number of slots	Width mm	Height U	Part no.
3 CPCI + 2 CPCI Serial	102.2	3	23007-602
4 CPCI + 4 CPCI Serial	161.3	3	23007-601

### Accessories

<b>SM bus/IPMB cable</b> 4 individual wires with SMB plug to open end, length 750 mm, 1 piece	23204-113
<b>Kit to convert V I/O to 3.3 V</b> 8 coding tabs, yellow, coding key, PU 1 kit	21101-658
<b>Utility cable MicroMatch</b> with single conductors, length 600 mm, 1 piece	23204-812
<b>Utility cable MicroMatch</b> with flat ribbon cable, length 600 mm, 1 piece	23204-811

**Screws, washers for backplane mounting** Page 10.28



For further information [www.schreff.biz/oneclick](http://www.schreff.biz/oneclick)  
oneClick search code = Part no.

# Backplanes - CompactPCI

## CompactPCI backplane with system slot right

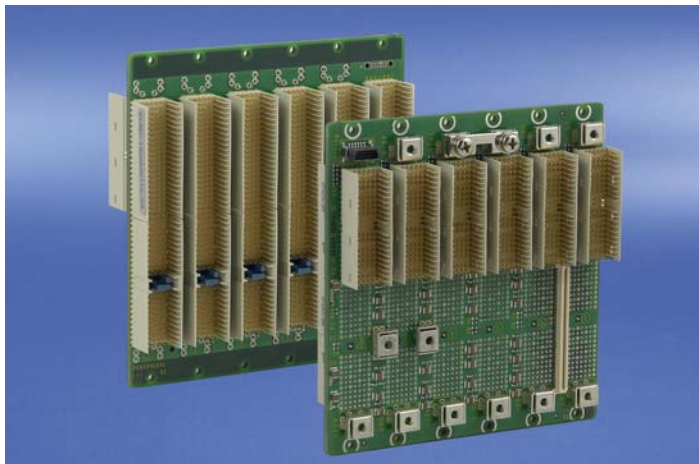
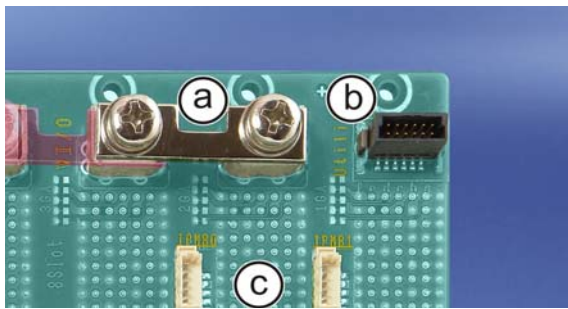


Photo shows 23006-816

12408001



a: V(I/O) bridge; b: Utility connector; c: IPMB connector

12408002



ServicePLUS see page 10.29

- In accordance with
  - PICMG 2.0 R3.0 CompactPCI Core specification
  - PICMG 2.1 R2.0 Hot Swap specification
  - PICMG 2.9 R1.0 System Management Bus specification
  - PICMG 2.10 R1.0 Keying specification
- Versions: 3 U 32-bit and 64-bit, 6 U 64-bit, with system slot right
- V(I/O) adjustable to +3.3 V or +5 V (see photo)
- Backplanes up to 5 slot are 66 MHz capable, 6 to 8 slot backplanes are set for 33 MHz operation
- Outstanding high-frequency noise suppression and very high MTBF values due to ceramic capacitors
- Digital GND can be connected to/isolated from chassis GND by means of screws
- Infeed of supply voltages via powerbugs (ring tag M4), FASTONS
- Utility plug for status signals (SMCQ)
- Intelligent platform management bus (IPMB) connector to PICMG 2.9

### Delivery comprises

Item	Qty	Description
1	1	CompactPCI backplane with coding tab and V(I/O) bridge, fitted
2	1	Set of 6 M4 bolts, with lock washer; for power connection

### Note

- 4 to 7 slot backplanes can be used as primary backplane with bridge
- Types marked with an asterisk \* are available on request
- CompactPCI backplanes and secondary bridges see from page 10.9

## Order Information

Number of slots	Width mm	3 U, 32-bit, CompactPCI backplane		3 U, 64-bit, CompactPCI backplane		6 U, 64-bit, CompactPCI backplane	
		3.3 V V(I/O) Part no.	5 V V(I/O) Part no.	3.3 V V(I/O) Part no.	5 V V(I/O) Part no.	3.3 V V(I/O) Part no.	5 V V(I/O) Part no.
1	19.3	23006-331	23006-811	23006-331	23006-811	–*	–*
2	39.6	23006-332	23006-812	–*	–*	23006-372	23006-862
3	60.0	23006-303	23006-813	23006-353	23006-833	23006-373	23006-863
4	80.3	23006-334	23006-814	23006-354	23006-834	23006-374	23006-864
5	100.6	23006-301	23006-815	23006-355	23006-835	23006-375	23006-865
6	121.0	23006-336	23006-816	–*	–*	23006-376	23006-866
7	141.2	23006-337	23006-817	–*	–*	23006-377	23006-867
8	161.6	23006-300	23006-818	23006-358	23006-838	23006-378	23006-868

### Accessories

Kit to convert V I/O to 3.3 V 8 coding tabs, yellow, coding key, PU 1 kit	21101-658
Utility cable SMCQ with flat ribbon cable, length 350 mm, 2 × 12-pin female connector, 1 piece	23204-115
Utility cable SMCQ with flat ribbon cable, length 600 mm, 2 × 12-pin female connector, 1 piece	23204-116
Termination adaptor, 64-bit bus for 8 slot CompactPCI backplane, 1 piece	23006-931
SM bus/IPMB cable 4 individual wires with SMB plug to open end, length 750 mm, 1 piece	23204-113
Power Piggyback usable with backplanes with 3 slots and up, 1 piece	23098-100
Power backplane with P47 connector	<b>Page 10.18</b>
Screws, washers for backplane mounting	<b>Page 10.28</b>



## Backplanes - CompactPCI

### CompactPCI backplane with system slot left

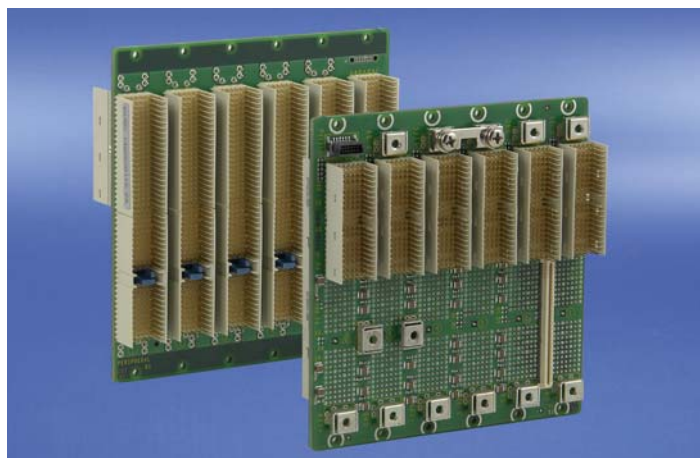
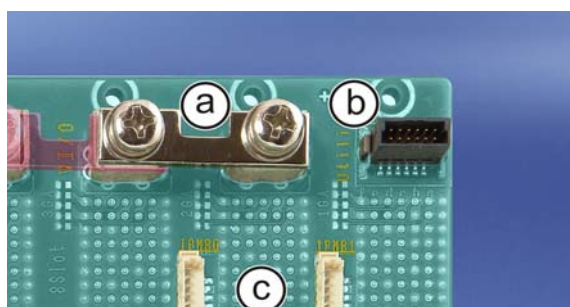


Photo shows 23006-816

12408001



a: V(I/O) bridge; b: Utility connector; c: IPMB connector

12408002



ServicePLUS see page 10.29

- In accordance with
  - PICMG 2.0 R3.0 CompactPCI Core specification
  - PICMG 2.1 R2.0 Hot Swap specification
  - PICMG 2.9 R1.0 System Management Bus specification
  - PICMG 2.10 R1.0 Keying specification
- Versions: 3 U 32-bit and 64-bit, 6 HE 64-bit, with system slot left
- V(I/O) adjustable to +3.3 V or +5 V (see photo)
- Backplanes up to 5 slots are 66 MHz capable; 6 to 8 slot backplanes are set for 33 MHz operation
- Outer layers act as GND surfaces
- Outstanding high-frequency noise suppression and very high MTBF values due to ceramic capacitors
- Multiple backplanes can be placed together without loss of slots
- Digital GND can be connected to/isolated from chassis-GND by means of screws
- Infeed of supply voltages via powerbugs (ring tag M4), FASTONs
- Utility plug for status signals (SMCQ)
- Intelligent platform management bus (IPMB) connector to PICMG 2.9

#### Delivery comprises

Item	Qty	Description
1	1	CompactPCI backplane
2	1	Set of M4x6 bolts, with lock washer; for power connection

#### Note

- 4 to 7 slot backplanes can be used as primary backplane with bridge for system slot left available on request
- Types marked with an asterisk \* are available on request

#### Order Information

Number of slots	Width mm	3 U, 32-bit, CompactPCI backplane		3 U, 64-bit, CompactPCI backplane		6 U, 64-bit, CompactPCI backplane	
		3.3 V V(I/O) Part no.	5 V V(I/O) Part no.	3.3 V V(I/O) Part no.	5 V V(I/O) Part no.	3.3 V V(I/O) Part no.	5 V V(I/O) Part no.
1	19.3	23006-331	23006-811	23006-331	23006-811	-*	-*
2	39.6	-*	-*	23006-422	23006-732	-*	-*
3	39.6	-*	-*	23006-423	23006-733	23006-443	23006-763
4	80.3	-*	-*	23006-424	23006-734	23006-444	23006-764
5	100.6	23006-405	23006-715	-*	-*	23006-445	23006-765
6	121.0	23006-406	23006-716	23006-426	23006-736	-*	-*
8	161.6	23006-408	23006-718	23006-428	23006-738	23006-448	23006-768

#### Accessories

Kit to convert V I/O to 3.3 V 8 coding tabs, yellow, coding key, PU 1 kit	21101-658
Utility cable SMCQ with flat ribbon cable, length 350 mm, 2 x 12-pin female connector, 1 piece	23204-115
Utility cable SMCQ with flat ribbon cable, length 600 mm, 2 x 12-pin female connector, 1 piece	23204-116
Termination adaptor, 64-bit bus for 8 slot CompactPCI backplane, 1 piece	23006-931
SM bus/IPMB cable 4 individual wires with SMB plug to open end, length 750 mm, 1 piece	23204-113
<b>Screws, washers for backplane mounting</b>	<b>Page 10.28</b>

# Backplanes - CompactPCI

## CompactPCI, packaging switching and H.110 backplane

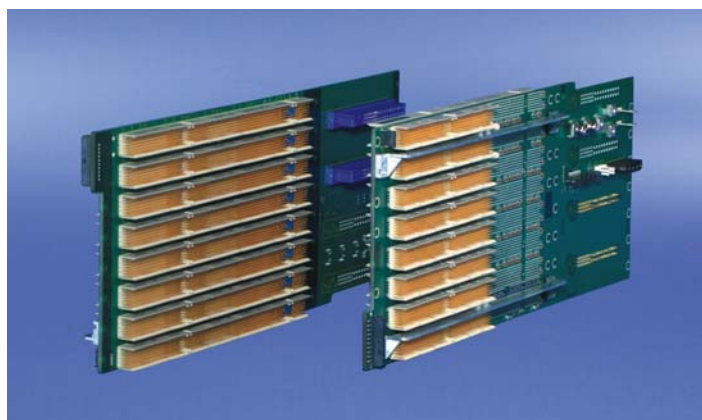


Photo shows 23006-797, 9 U

12405002

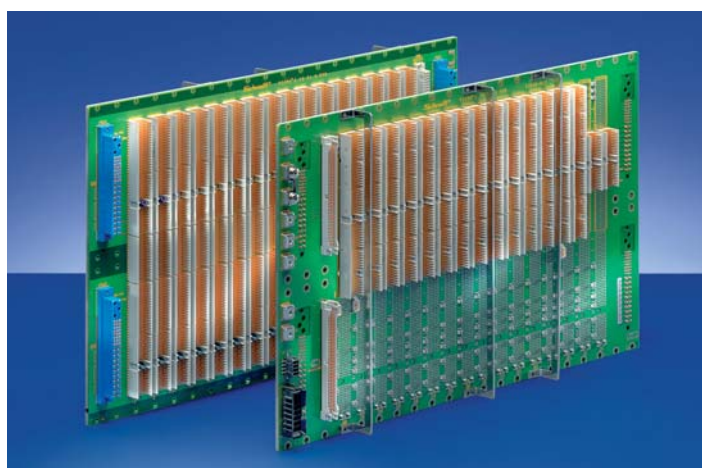


Photo shows 23006-621

12402005



ServicePLUS see page 10.29

### Order Information

Number of slots	CompactPCI backplanes	Power connector	Data connection	Part no.
2	System slot left, for horizontal mounting	ATX (male) connector	64-bit CompactPCI bus	<b>23006-792</b>
2	System slot left, for horizontal mounting	Mini-fit 10-pin	64-bit CompactPCI bus	<b>23006-793</b>
2	System slot left, for horizontal mounting	1 x P47	64-bit CompactPCI bus	<b>23006-794</b>
4	System slot left, for horizontal mounting	Mini-fit 24-pin	64-bit CompactPCI bus	<b>23006-799</b>
4	System slot left, for horizontal mounting	2 x P47	64-bit CompactPCI bus	<b>23006-795</b>
4	System slot left, for horizontal mounting	2 x P47	64-bit CompactPCI bus, H.110 bus	<b>23006-615</b>
6	System slot left, for horizontal mounting	Mini-fit 24 pin	64-bit CompactPCI bus	<b>23006-798</b>
6	System slot left, for horizontal mounting	2 x P47 (optional third connector)	64-bit CompactPCI bus	<b>23006-796</b>
8	System slot left, for horizontal mounting	2 x P47 (optional third and fourth connectors)	64-bit CompactPCI bus	<b>23006-797</b>
8	System slot left, for horizontal mounting	2 x P47 (optional third and fourth connectors)	64-bit CompactPCI bus, H.110 bus, PSB	<b>23006-611</b>
8	System slot right, for 6 U CompactPCI system, power input without loss of slot space	Powerbugs	64-bit CompactPCI bus, H.110 bus	<b>23006-601</b>
16	System slot right, for 6 U CompactPCI system, incl. 1 slot for Schroff CMM, 2 independent CPCI segments, 7 slots each	4 x P47, one above the other	2 x 64-bit CompactPCI bus, 7 slot each, PSB	<b>23006-621</b>

- In accordance with
  - PICMG 2.0 R3.0 CompactPCI Core specification
  - PICMG 2.1 R2.0 Hot Swap specification
  - PICMG 2.9 R1.0 System Management Bus specification
  - PICMG 2.10 R1.0 Keying specification
  - PICMG 2.5 Computer Telephony specification (H.110)
  - PICMG 2.16 CompactPCI Packet Switching Backplanes
  - PICMG 2.11 CompactPCI Power Interface specification
- Various versions
  - CompactPCI, Packet Switching, H.110
  - Backplanes for horizontal installation and backplanes for horizontal installation including slots for plug-in power supply (P47)
- V(I/O) can be set to +3.3 V or +5 V
- Backplanes up to 5 slots are 66 MHz capable, 6 to 8 slot backplanes are set for 33 MHz operation
- Outer layers act as GND surfaces
- Outstanding high frequency noise suppression and very high MTBF values due to ceramic capacitors
- Digital GND can be connected to/isolated from chassis GND by means of screws
- Utility plug for status signals
- Intelligent platform management bus (IPMB) connector to PICMG 2.9

### Delivery comprises

Item	Qty	Description
1	1	CompactPCI backplane
2	1	Set of M4x6 bolts, with lock washer; for power connection

### Note

- Types marked with an asterisk \* are available on request

# Backplanes - CompactPCI

## CompactPCI bridges



Photo shows 32-bit and 64-bit bridges

12402002



ServicePLUS see page 10.29

- In accordance with
  - PICMG 2.6 CompactPCI Bridging Specification
  - PCI 2.1 PCI Local Bus Specification, Rev. 2.1
- Bridge mounted on rear of backplane, hence no loss of slots
- Very compact and low bridge shape, no interference with rear transition boards
- Schroff CompactPCI backplanes with system slot right are used as primary backplane
- The 32-bit bridge is 33 MHz capable and the 64-bit bridge is 33/66 MHz capable
- Bridges are designed for primary backplanes with system slot right; bridges for system slot left available on request
- A summary of possible backplane/bridge combinations can be found on the Schroff website

### Delivery comprises

Item	Qty	Description
1	1	Bridge

### Order Information

Description	Part no.
CompactPCI bridge, 32 bit, 33 MHz, for system slot right	23006-920
CompactPCI bridge, 64-bit, 33/66 MHz, for system slot right	23006-922

### Note

- 32-bit system slot left on request
- 64-bit system slot left on request



For further information [www.schroff.biz/oneclick](http://www.schroff.biz/oneclick)  
oneClick search code = Part no.

## Backplanes - CompactPCI

CompactPCI secondary backplanes, system slot to right



12401021

Photo shows primary and secondary backplane with inserted bridge and fitted rear transition board

- In accordance with
  - PICMG 2.0 R3.0 CompactPCI Core Specification
  - PICMG 2.1 R2.0 Hot-swap Specification
  - PICMG 2.9 R1.0 System Management Bus Specification
  - PICMG 2.10 R1.0 Keying Specification
- Secondary backplane for use behind the bridge
- A summary of possible backplane/bridge combinations can be found on the Schroff website
- Secondary backplanes can also be used as tertiary backplanes; change of geographical address see user manual

### Delivery comprises

Item	Qty	Description
1	1	CompactPCI backplane
2	1	Kit screws M4 x 6, with lock washers, for power connection

### Order Information

Number of slots	Height	Description	Part no.
	<b>U</b>		
4	3	32-bit	23006-824
7	3	32-bit	23006-827
7	3	64-bit	23006-857
4	6	64-bit	23006-884
7	6	64-bit	23006-887

### Accessories

Screws, washers for backplane mounting	<b>Page 10.28</b>
--	-------------------

### Note

- Other configurations available on request or via [www.schroff.co.uk/configuration](http://www.schroff.co.uk/configuration)



For further information [www.schroff.biz/oneclick](http://www.schroff.biz/oneclick)  
oneClick search code = Part no.



Open Modular  
Computing Specifications



ServicePLUS see page 10.29

# Backplanes - PXI

## PXI backplanes

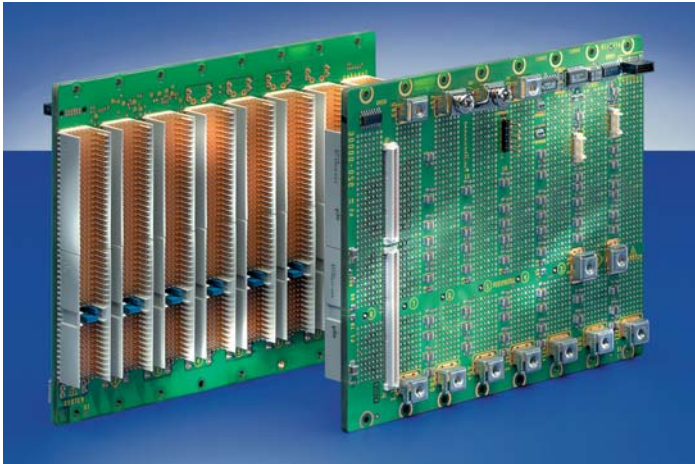


Photo shows 23006-578

12402004



ServicePLUS see page 10.29

- In accordance with
  - PXI Specification R 2.0
  - PICMG 2.0 R3.0 CompactPCI Core Specification
  - PICMG 2.1 R2.0 Hot-swap Specification
  - PICMG 2.9 R1.0 System Management Bus Specification
  - PICMG 2.10 R1.0 Keying Specification
- 64-bit CompactPCI bus and PXI bus on the P2 plane
- Clock generated on the backplane; feeding in an external clock is possible, the backplane switches automatically between the two clocks
- Backplanes with up to 5 slots are capable of 66 MHz, 6 to 8 slot backplanes are set to 33 MHz operation
- Outstanding high-frequency noise suppression and very high MTBF values due to ceramic capacitors
- Utility connector for status signals
- Intelligent platform management bus (IPMB) connector to PICMG 2.9

### Delivery comprises

Item	Qty	Description
1	1	PXI backplane
2	1	Kit screws M4 x 6, with lock washer, for power connection

### Order Information

Number of slots	System slot	5 V V(I/O) Part no.
5	left primary	23006-575
7	left primary	23006-577
8	left primary	23006-578
7	left secondary	23006-587
4	left tertiary	23006-594
7	left tertiary	23006-597

### Accessories

<b>Screws, washers for backplane mounting</b>	<b>Page 10.28</b>
---	-------------------

### Note

- Other configurations available on request or via [www.schroff.co.uk/configuration](http://www.schroff.co.uk/configuration)



For further information [www.schroff.biz/oneclick](http://www.schroff.biz/oneclick)  
oneClick search code = Part no.

## PXI bridge



12405001

### Delivery comprises

Item	Qty	Description
1	1	PXI bridge

### Order Information

Description	Description	Part no.
PXI bridge	64-bit, 33/66 MHz	23006-924

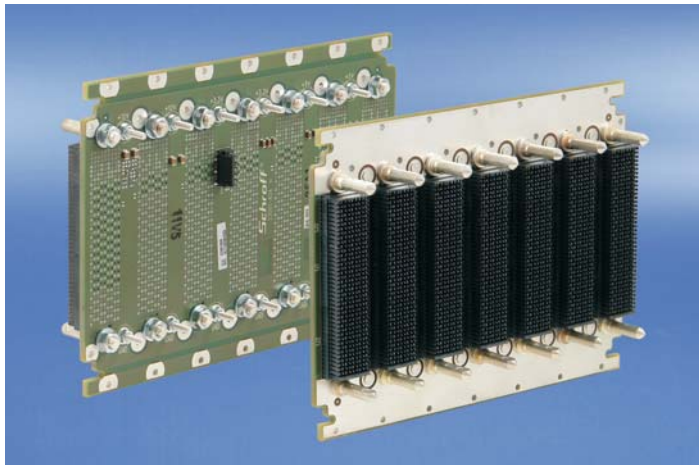
# Backplanes - VPX

## VPX backplane, 3 U



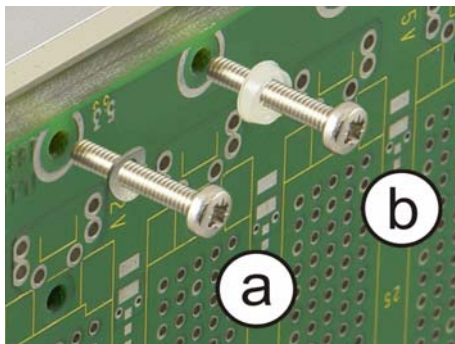
VPX backplane, 3 U, 5 slot, with rear I/O

10513002



VPX backplane, 3 U, 7 slot, without rear I/O

10512002



Backplane mounting: a: conductive, b: isolated

10508004



ServicePLUS see page 10.29

- In accordance with:
  - VITA 46.0 VPX base standard
  - VITA 46.3 Serial RapidIO on VPX
  - VITA 46.4 PCI Express on VPX Fabric Connector
  - VITA 46.7 Ethernet on VPX Fabric Connector
  - VITA 46.11 System Management on VPX
- JTAG connections
- 3 U, 5 slot, 0.8" slot pitch, full mesh topology to VITA 46.21 distributed switching on VPX rule 4 – 5 with additional slot for power supply
- 3 U, 7 slot, conforms additionally to VITA 65 OpenVPX
  - 6 payload slots, 1 switch slot with 1.0" slot pitch, single star topology conforming to BKP3-CEN07-15.2.3-3
  - Switch slot to SLT3-SWH-6F6U-14.4.1
  - Payload slots to SLT3-PAY-2F2U-14.2.3
- M4 power studs for power supply, max. 22 A per slot for each voltage
- Lockable aux utility and sense connectors
- DIP switch for system slot settings

**NEW**

### Order Information

Description	Width mm	Slot pitch	Backplane type	Part no.
Open VPX backplane, 3 U, 7 slot, without rear I/O	121.9	1,0"	Single star	23001-814
Open VPX backplane, 3 U, 7 slot, with rear I/O	176.0	1,0"	Single star	23001-815
VPX backplane, 3 U, 5 slot, without rear I/O	121.9	0,8"	Full Mesh	23001-812
VPX backplane, 3 U, 5 slot, with rear I/O	176.0	0,8"	Full Mesh	23001-813

### Accessories

**Screws, washers for backplane mounting** **Page 10.28**

### Note

- Backplane to VITA 46.10; rear transition modules on request



For further information [www.schroff.biz/oneclick](http://www.schroff.biz/oneclick)  
oneClick search code = Part no.

# Backplanes - VME64 extension

## Monolithic VME64x backplanes (6 U)

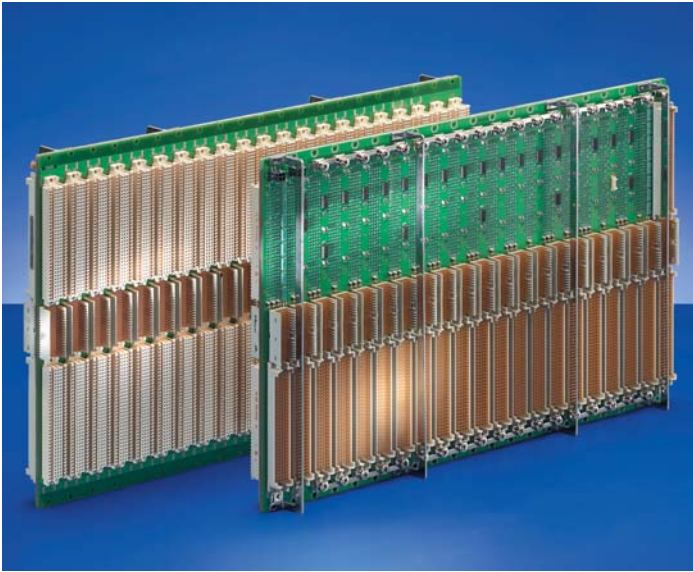


Photo shows 23001-551

1050201



- In accordance with:
  - ANSI/VITA 1-1994 VME64 Standard
  - ANSI/VITA 1.1-1997 VME64 Extension Standard
  - ANSI/VITA 1.5-2003 VME2eSST Specification
  - ANSI/VITA 1.7-2003 Increased Current Level
  - ANSI/VITA 38 System Management on VME
- Monolithic backplane, 6 U with J1 and J2 plane
- Termination passive
- Electronic automatic daisy chain (EDC)
- Outstanding high-frequency noise suppression and very high MTBF values due to ceramic capacitors
- Connection or isolation between the digital GND and chassis GND can be effected via the screw fittings (see photo)
- Supply voltages can be applied via powerbugs (ring tag M4) or FASTON
- Utility connector for status signals
- System management bus (SMB) connector in accordance with VITA38
- Connector for additional voltages V1/V2 (see photo)

### Delivery comprises

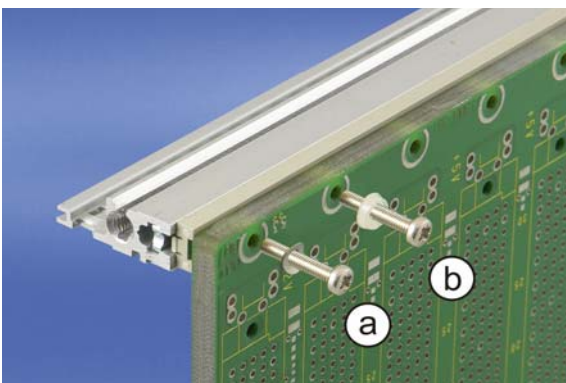
Item	Qty	Description
1	1	VME64x backplane
2	1	Kit screws M4 x 6, with lock washer; for power connection

### Order Information

Number of slots	Width mm	Height U	Without P0	With P0
			Part no.	Part no.
2	39.1	6	23001-502	23001-532
3	59.5	6	23001-503	23001-533
4	79.8	6	23001-504	23001-534
5	100.2	6	23001-505	23001-535
6	120.5	6	23001-506	23001-536
7	140.8	6	23001-507	23001-537
8	161.1	6	23001-508	23001-538
10	201.8	6	23001-510	23001-540
11	222.0	6	23001-511	23001-541
12	242.4	6	23001-512	23001-542
15	303.4	6	23001-515	23001-545
16	323.7	6	23001-516	23001-546
20	405.0	6	23001-520	23001-550
21	425.3	6	23001-521	23001-551

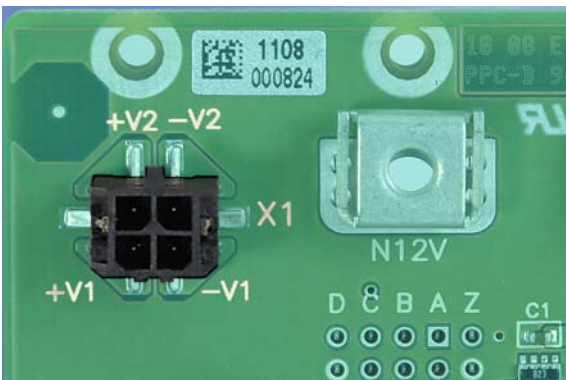
### Accessories

<b>SM bus/IPMB cable</b> 4 individual wires with SMB plug to open end, length 750 mm, 1 piece	23204-113
<b>Utility cable SMCQ</b> with flat ribbon cable, length 350 mm, 2 x 12-pin female connector, 1 piece	23204-115
<b>Utility cable SMCQ</b> with flat ribbon cable, length 600 mm, 2 x 12-pin female connector, 1 piece	23204-116
<b>Screws, washers for backplane mounting</b>	<b>Page 10.28</b>



Backplane mounting: a: conductive, b: isolated

10508004



Connector for additional voltages V1/V2

10508007



ServicePLUS see page 10.29



For further information [www.schroff.biz/oneclick](http://www.schroff.biz/oneclick)  
oneClick search code = Part no.

# Backplanes - VXS

## VXS

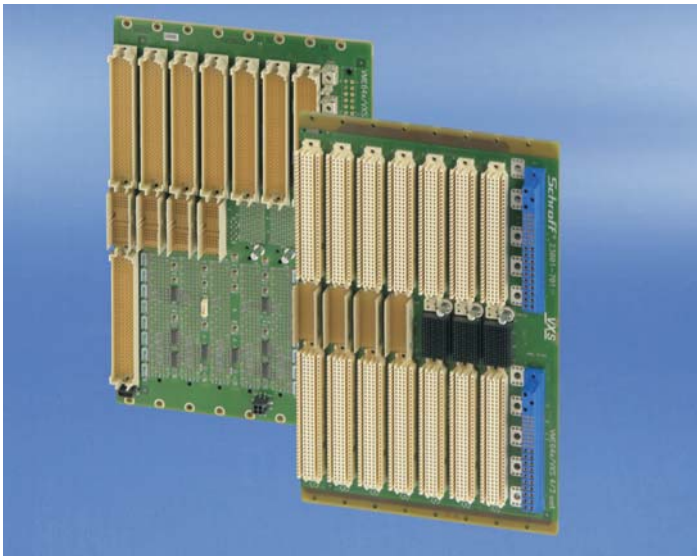


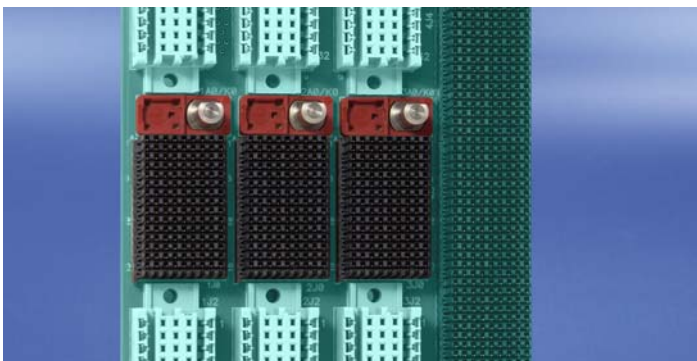
Photo shows 23001-701

10506004



Photo shows 23001-704

10508002



High-speed connector with keying and alignment pin

10508009



ServicePLUS see page 10.29

- In accordance with
  - ANSI/VITA 41 VXS VMEbus Switched Serial Standard
  - ANSI/VITA 1-1994 VME64 Standard
  - ANSI/VITA 1.1-1997 VME64 Extension Standard
  - ANSI/VITA 1.5-2003 VME2eSST Specification
  - ANSI/VITA 1.7-2003 Increased Current Level
  - ANSI/VITA 38 System Management on VME
- Parallel VMEbus on J1 and J2, serial data connections on P0
- MultiGig RT2 connector on P0 position for data transfer rates up to 10 Gbps per differential pair
- Dual star, star and ring topologies
- Keying and alignment pins to avoid mechanical and electrical damage
- Outstanding high-frequency noise suppression and very high MTBF values due to ceramic capacitors
- Supply voltages can be applied via powerbugs (ring tag M4), FASTONs or P47 connectors
- Utility connector for status signals
- System management bus (SMB) connector in accordance with VITA38
- Connector for additional voltages V1/V2

### Delivery comprises

Item	Qty	Description
1	1	VXS backplane
2	1	Set of M4x6 bolts, with lock washer; for power connection

### Order Information

Number of slots	Width mm	Height U	Description	Part no.
4	80.3	6	1 VXS switch slot and 3 VXS payload slots	23001-704
7	151.4	6	4 VME64x slots, 3 VXS payload slots, ring connected, 1 slot for 2 x 3 U PSUs, without VXS rear I/O	23001-701
12	242.0	6	2 VXS switch slots and 10 VXS payload slots	23001-712
20	405.4	6	2 VXS switch slots and 18 VXS payload slots	23001-720

### Accessories

<b>SM bus/IPMB cable</b> 4 individual wires with SMB plug to open end, length 750 mm, 1 piece	23204-113
<b>Utility cable SMCQ</b> with flat ribbon cable, length 350 mm, 2 x 12-pin female connector, 1 piece	23204-115
<b>Utility cable SMCQ</b> with flat ribbon cable, length 600 mm, 2 x 12-pin female connector, 1 piece	23204-116
<b>Keying and alignment pin for VXS</b> Payload slot with RTM, PU 10 pieces	20817-900
<b>Keying and alignment pin for VXS</b> Payload slot without RTM, PU 10 pieces	20817-969
<b>Keying and alignment pin for VXS</b> Switch slots, PU 10 pieces	20817-970
<b>Screws, washers for backplane mounting</b>	<b>Page 10.28</b>



For further information [www.schroff.biz/oneclick](http://www.schroff.biz/oneclick)  
oneClick search code = Part no.



# Backplanes – VMEbus

## Monolithic J1/J2 backplane (6 U)

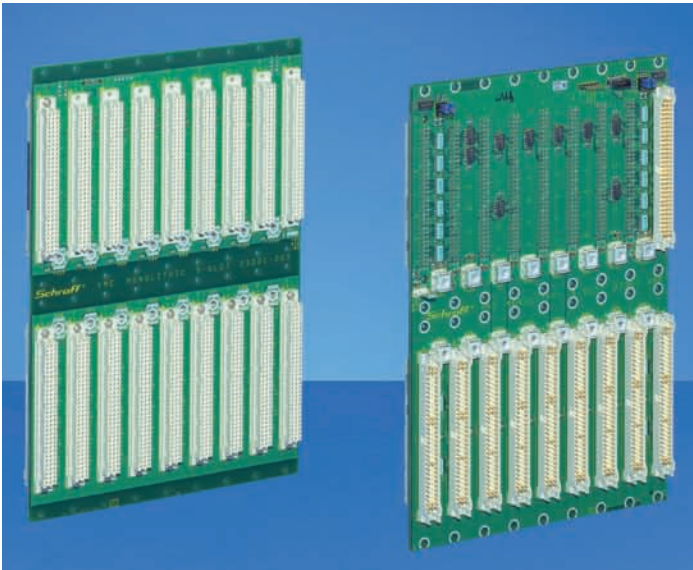


Photo shows 23001-069

10506003

- In accordance with ANSI/VITA 1-1994 VME64 standard
- Monolithic backplane, 6 U with J1 and J2 plane
- Active/passive termination switchable via jumpers; passive termination preset (see photo)
- Electronic automatic daisy chain (EDC)
- Outstanding high-frequency noise suppression and very high MTBF values due to ceramic capacitors
- Linking/separation of digital and chassis GNDs by means of a screw connection (see photo)
- Supply voltages provided via power bugs (ring tag M4) or FASTON
- Two utility connectors for status signals, two different configurations (see photo)

### Delivery comprises

Item	Qty	Description
1	1	VME monolithic J1/J2 backplane
2	1	Kit screws M4x6, with lock washer, for power connection

### Order Information

Number of slots	Width mm	Height U	Utility connector 2	Part no.
3	59.5	6	MicroMatch	23001-063
4	79.8	6	MicroMatch	23001-064
5	100.2	6	MicroMatch	23001-065
6	120.5	6	MicroMatch	23001-066
7	140.8	6	MicroMatch	23001-067
8	161.1	6	MicroMatch	23001-068
9	181.4	6	SMCQ	23001-069
10	201.8	6	MicroMatch	23001-070
12	242.4	6	MicroMatch	23001-072
15	303.4	6	MicroMatch	23001-075
20	405.0	6	SMCQ	23001-080
21	425.3	6	MicroMatch	23001-081

### Accessories

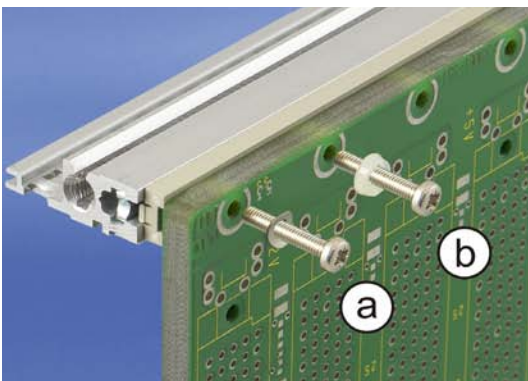
<b>Utility cable MicroMatch</b> with single conductors, length 600 mm, 1 piece	23204-812
<b>Utility cable MicroMatch</b> with flat ribbon cable, length 600 mm, 1 piece	23204-811
<b>Utility cable SMCQ</b> with flat ribbon cable, length 350 mm, 2 x 12-pin female connector, 1 piece	23204-115
<b>Utility cable SMCQ</b> with flat ribbon cable, length 600 mm, 2 x 12-pin female connector, 1 piece	23204-116
<b>Screws, washers for backplane mounting</b>	<b>Page 10.28</b>

### Note

- Other configurations available on request or via [www.schroff.co.uk/configuration](http://www.schroff.co.uk/configuration)

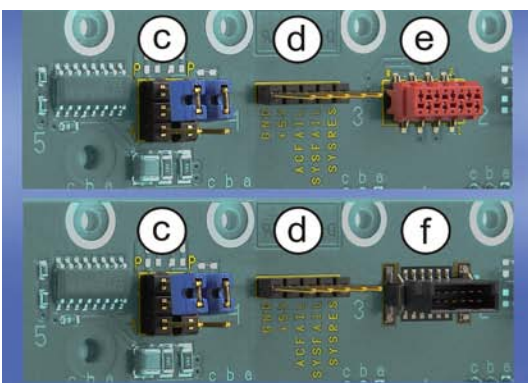


For further information [www.schroff.biz/oneclick](http://www.schroff.biz/oneclick)  
oneClick search code = Part no.



Backplane mounting: a: conductive, b: isolated

10508004



10509001

c: termination switchover active/passive,  
d: utility connector 1, e: utility connector 2  
MicroMatch, f: utility connector 2 SMCQ



ServicePLUS see page 10.29

# Backplanes - VMEbus

## J1 backplane (3 U)

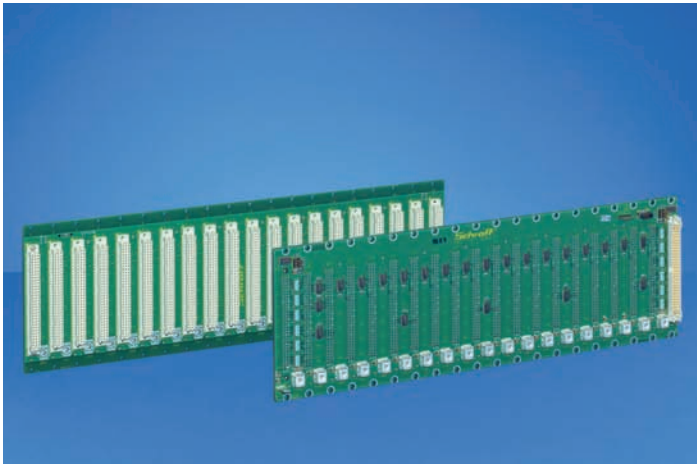


Photo shows 23001-020

10506001



- In accordance with ANSI/VITA 1-1994 VME64 standard
- 3 U with J1 plane
- Active/passive termination switchable via jumpers; passive termination preset (see photo)
- Electronic automatic daisy chain (EDC)
- Outstanding high-frequency noise suppression and very high MTBF values due to ceramic capacitors
- Linking/separation of digital and chassis GNDs by means of a screw connection (see photo)
- Supply voltages provided via power bugs (ring tag M4) or FASTON
- Two utility connectors for status signals, two different configurations (see photo)

### Delivery comprises

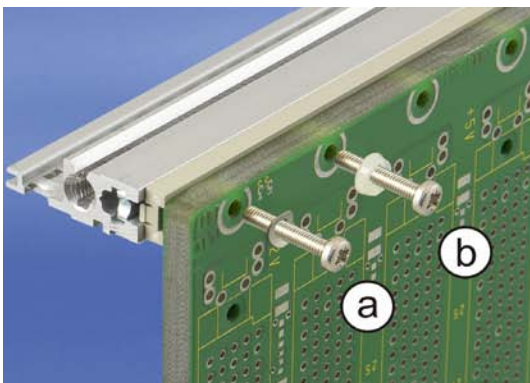
Item	Qty	Description
1	1	VME J1 backplane
2	1	Kit screws M4x6, with lock washer; for power connection

### Order Information

Number of slots	Width mm	Height U	Utility connector 2	Part no.
1	20.2	3	-	23001-001
2	39.1	3	MicroMatch	23001-002
3	59.7	3	MicroMatch	23001-003
4	79.8	3	MicroMatch	23001-004
5	100.2	3	MicroMatch	23001-005
6	120.5	3	MicroMatch	23001-006
7	140.8	3	SMCQ	23001-007
8	161.1	3	MicroMatch	23001-008
9	181.4	3	MicroMatch	23001-009
10	199.2	3	SMCQ	23001-010
12	242.4	3	SMCQ	23001-012
15	303.4	3	MicroMatch	23001-015
17	341.4	3	MicroMatch	23001-017
18	364.3	3	MicroMatch	23001-018
20	405.0	3	MicroMatch	23001-020
21	425.3	3	MicroMatch	23001-021

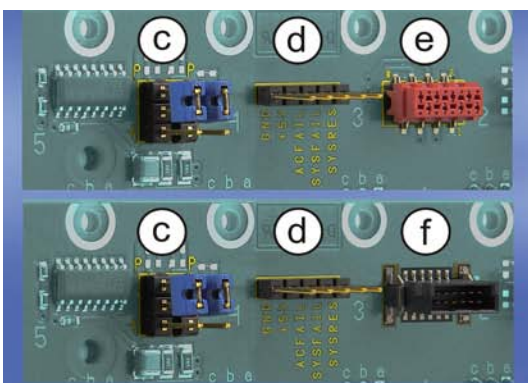
### Accessories

<b>Utility cable MicroMatch</b> with single conductors, length 600 mm, 1 piece	23204-812
<b>Utility cable MicroMatch</b> with flat ribbon cable, length 600 mm, 1 piece	23204-811
<b>Utility cable SMCQ</b> with flat ribbon cable, length 350 mm, 2 x 12-pin female connector, 1 piece	23204-115
<b>Utility cable SMCQ</b> with flat ribbon cable, length 600 mm, 2 x 12-pin female connector, 1 piece	23204-116
<b>Screws, washers for backplane mounting</b>	<b>Page 10.28</b>



Backplane mounting: a: conductive, b: isolated

10508004



c: termination switchover active/passive, d: utility connector 1, e: utility connector 2 MicroMatch, f: utility connector 2 SMCQ

10509001



ServicePLUS see page 10.29



For further information [www.schroff.biz/oneclick](http://www.schroff.biz/oneclick)  
oneClick search code = Part no.

# Backplanes – VMEbus

## J2 backplane (3 U)

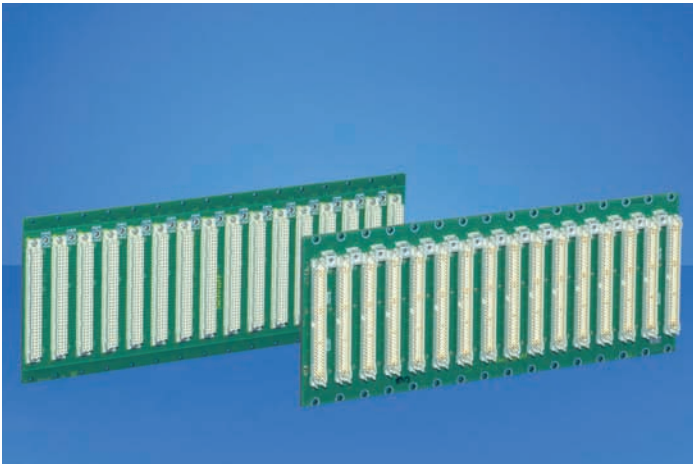


Photo shows 23001-046

10506002



- In accordance with ANSI/VITA 1-1994 VME64 standard
- 3 U with J2 plane
- Termination passive
- Outstanding high-frequency noise suppression and very high MTBF values due to ceramic capacitors
- Multiple backplanes can be placed side by side without loss of slot space
- Connection or isolation between the digital GND and chassis GND can be effected via the screw fittings (see photo)
- Supply voltages can be provided via powerbugs (ring tag M4) or FASTONs (see photo)

### Delivery comprises

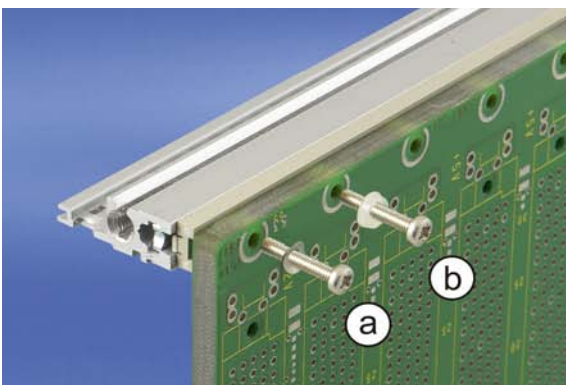
Item	Qty	Description
1	1	VME J2 backplane
2	1	Set of 6 M4 bolts, with lock washer; for power connection

### Order Information

Number of slots	Width mm	Height U	Part no.
2	40.4	3	23001-032
3	59.7	3	23001-033
4	79.8	3	23001-034
5	100.2	3	23001-035
10	199.2	3	23001-040
16	321.3	3	23001-046
21	425.3	3	23001-051

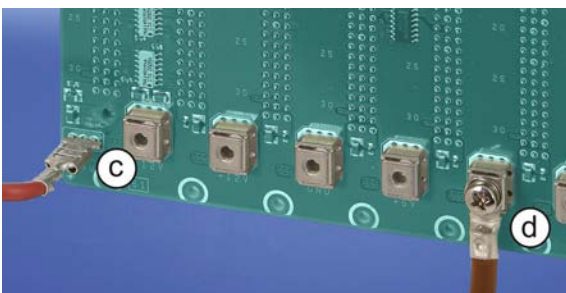
### Accessories

Screws, washers for backplane mounting	Page 10.28
--	------------



Backplane mounting: a: conductive, b: isolated

10508004



### Supply voltage feed:

- c: cable with blade receptacle pushed onto FASTON
- d: cable with ring tag screwed to powerbug, with M4 screw and lock washer

10508006



For further information [www.schroff.biz/oneclick](http://www.schroff.biz/oneclick)  
oneClick search code = Part no.



ServicePLUS see page 10.29

## Backplanes - Power backplanes

### Power backplane with P47 connector



11902001

- In accordance with
  - PICMG 2.9 R1.0 System Management Bus Specification
  - PICMG 2.11 R1.0 CompactPCI Power Interface Specification
- Can be switched in parallel, PSU status signals FAL# and DEG# can be read separately
- Geographical address adjustable
- Mains supply via crimp contacts insertable into plug, no mains voltage on the backplane

#### Delivery comprises

Item	Qty	Description
1	1	Power backplane with 1 or 2 P 47 connectors
2	1/2	AC cable harness (P47 connector – open end, length 500 mm; 2 pieces at 2 P47 pin positions)
3	1	Blade receptacle kit for AC cable harness

#### Order Information

Number of slots	Width mm	Height U	Description	Part no.
1	39.6	3	1 connector position P47	23098-105
2	80.3	3	2 connector positions P47 (side-by-side)	23098-115
1	39.6	6	1 connector position P47 at top	23098-116
1	39.6	6	2 connector positions P47 (one above the other)	23098-117

#### Accessories

Screws, washers for backplane mounting	Page 10.28
--	------------



11901002



For further information [www.schroff.biz/oneclick](http://www.schroff.biz/oneclick)  
oneClick search code = Part no.



ServicePLUS see page 10.29

### Power piggyback



12401002

- Allows connection of pluggable power supplies, e.g. ATX PSUs, to CompactPCI backplanes
- Simply mounts on the PSU screw connections on the rear of Schroff CompactPCI backplanes

#### Delivery comprises

Item	Qty	Description
1	1	Power piggyback

#### Order Information

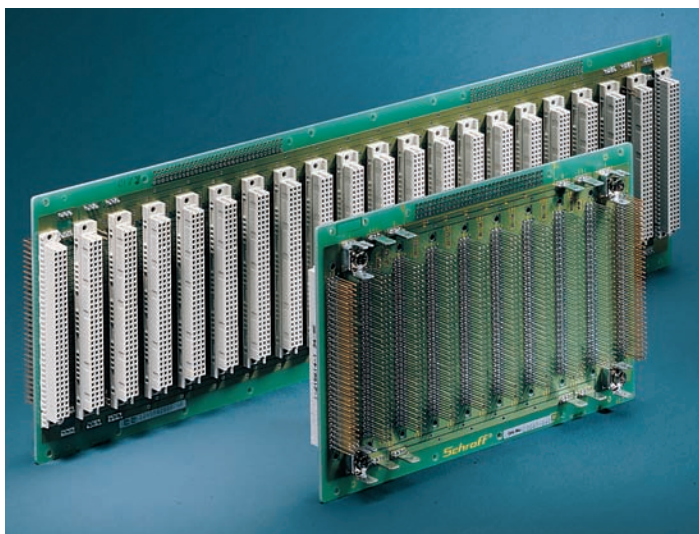
Description	Qty/PU	Part no.
Power piggyback	1	23098-100



For further information [www.schroff.biz/oneclick](http://www.schroff.biz/oneclick)  
oneClick search code = Part no.

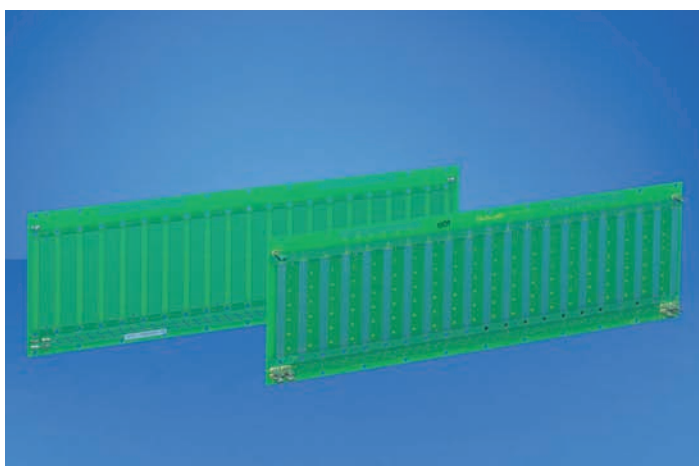
# Backplanes - Universal

## Universal backplanes



Universal backplanes with through-connected signal lines, 10 and 21 slot

12096003



Universal backplanes without through-connected signal lines, 21 slots

12006001



ServicePLUS see page 10.29

### With through-connected signal lines

- Power supply at each connector position (row 1 + 32)
- Adaptation fields for power connections on 2-layer backplanes
- Two versions:
  - 60 signal lines, through-connected from connector to connector (C64), row „b“ can be freely wired (2 layers with C96 connector), wire-wrap
  - 90 signal lines, through-connected from connector to connector

### Without through-connected signal lines

- Individual wiring of connectors is possible since signal lines are not through-connected
- Power supply at each connector position (row 1 + 32)
- Adaptation fields for connections

### Delivery comprises

Item	Qty	Description
1	1	Universal backplane
2	10	Bridges, grid 5.08 mm
3	3	Jumpers
4	1	10-pin header

### Order Information

#### with through-connected signal lines

Number of slots	Slot pitch HP	Width HP	No. of layers	Connector type	No. of signal lines	Part no.
10	4	42	2	C64F	60	23007-010
10	4	42	2	C96F	60	23007-040
10	4	42	4	C96F	90	23007-410
14	3	42	2	C64F	60	23007-114
21	4	84	2	C64F	60	23007-021
21	4	84	2	C96F	60	23007-051
21	4	84	2	-	60	23007-081
21	4	84	4	C96F	90	23007-421
28	3	84	2	C64F	60	23007-128
28	3	84	2	C96F	60	23007-158
28	3	84	2	-	60	23007-188

Connector "-": not equipped, 96 solder points

### Order Information

#### without through-connected signal lines

Number of slots	Slot pitch HP	Width HP	No. of layers	Part no.
21	4	84	2	23007-222

#### Accessories

Screws, washers for backplane mounting	Page 10.28
--	------------



For further information [www.schroff.biz/oneclick](http://www.schroff.biz/oneclick)  
oneClick search code = Part no.

# Test adaptors

## Test adaptors, type B

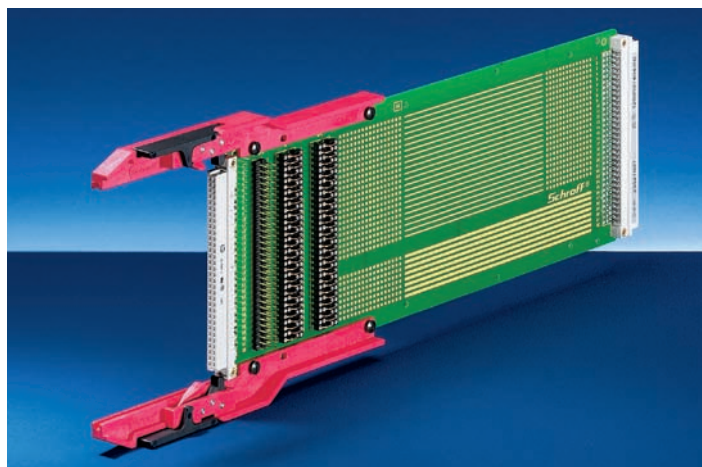
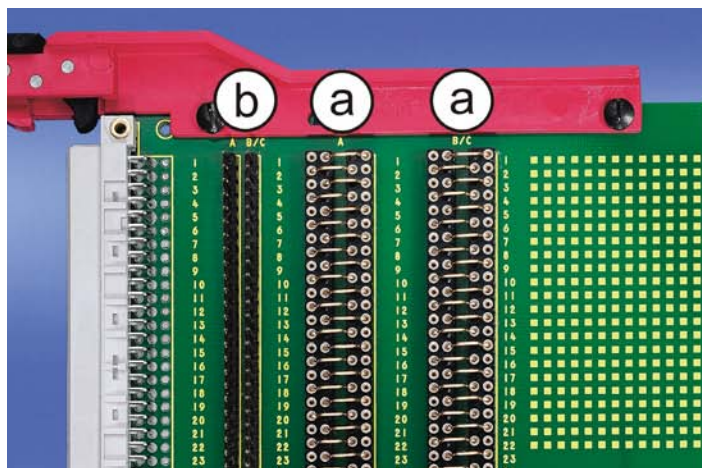


Photo shows 23021-607

11100018



a: Measuring field for current and voltage measurement  
b: Header for wire wrap

11100019

- For DIN 41612 connectors, type B
- Measuring field for current and voltage measurement (U/I), (a)
- Header with pin diameter 0.6 mm for wire wrap (b)
- Outer pin rows (pin 1a, c and pin 32a, c) with wider tracks for power supply (2 A per track)

### Delivery comprises

Item	Qty	Description
1	1	Test adaptor with fitted guide rails and equipped test bridges
2	10	Replacement test bridges

### Order Information

Connector type	Height U	For board depth mm	Backplane type	Measuring field for	Part no.
B64	3	160	1L	U / I	23021-607
B64	3	220	1L	U / I	23021-651

### Note

- Detailed dimensions and test adaptor types see page 10.28
- 6/9 U test adaptors see page 10.26



For further information [www.schroff.biz/oneclick](http://www.schroff.biz/oneclick)  
oneClick search code = Part no.



ServicePLUS see page 10.29

# Test adaptors

## Test adaptors, type C

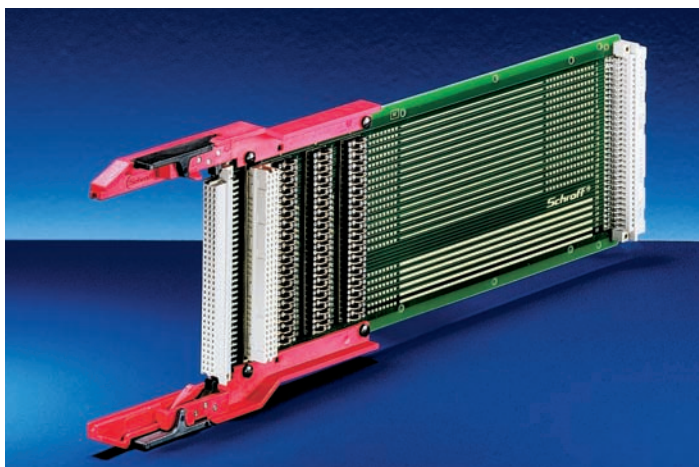
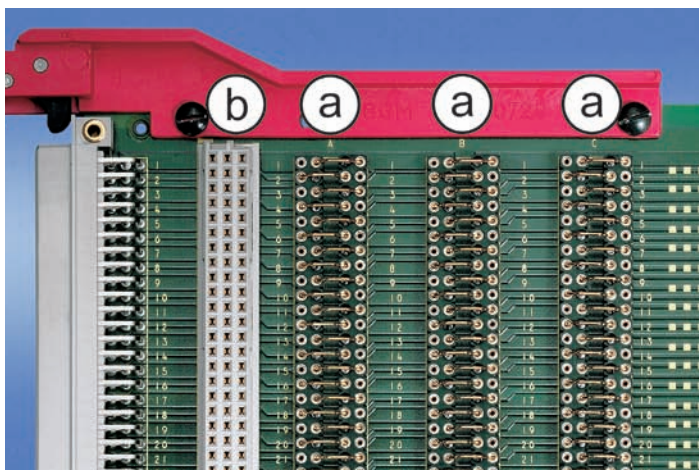


Photo shows 23021-609

11100003



a: Measuring field for current and voltage measurement  
b: Connector position for a second test object

11100004



ServicePLUS see page 10.29

- For DIN 41612 connectors, type C
- 2 different measuring fields:
  - current and voltage measurement (U/I): pluggable test bridges
  - voltage measurement (U): soldered test bridges
- Connector type C64: Header with pin diameter 0.6 mm for wire wrap
- Connector type C96: Slot for second test unit or terminator board (b)
- Outer pin rows (C96: pin 1a, b, c and pin 32a, b, c; C64: pin 1a, c and pin 32a, c) with wider tracks for power supply (2 A per track)

### Delivery comprises

Item	Qty	Description
1	1	Test adaptor with fitted guide rails and equipped test bridges
2	10	Replacement test bridges

### Order Information

Connector type	Height U	For board depth mm	Backplane type	Measuring field for	Part no.
C 64	3	160	1L	U / I	23021-608
C 64	3	220	2L	U / I	23021-652
C 64	6	160	1L	U / I	23022-601
C 96	3	160	2L	U	23021-603
C 96	3	160	2L	U / I	23021-609
C 96	3	160	4L	U / I	23021-610
C 96	3	220	2L	U / I	23021-653
C 96	3	220	4L	U / I	23021-654
C 96	3	280	2L	U / I	23021-700
C 96	3	280	4L	U / I	23021-701
C 96	3	340	4L	U / I	23021-750
C 96	6	160	2L	U / I	23022-602
C 96	6	160	4L	U / I	23022-603
C 96	6	220	2L	U / I	23022-652
C 96	6	280	2L	U / I	23022-700

### Note

- Detailed dimensions and test adaptor types see page 10.28
- 6/9 U test adaptors see page 10.26



For further information [www.schroff.biz/oneclick](http://www.schroff.biz/oneclick)  
oneClick search code = Part no.

# Test adaptors

## Test adaptors, type D

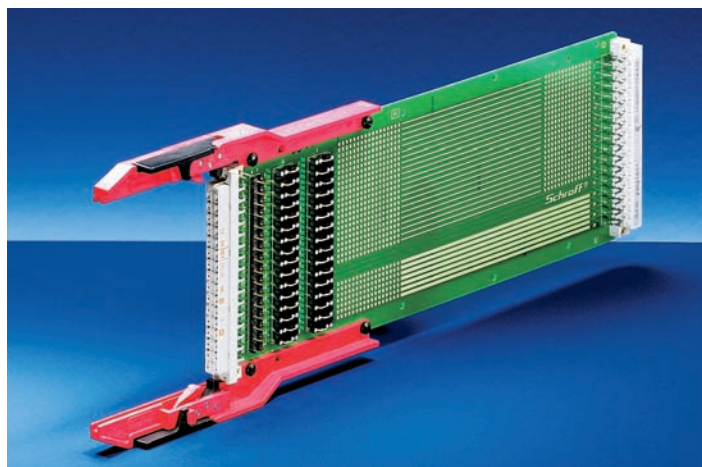


Photo shows 23021-611

11100005

- For DIN 41612 connectors, type D
- 2 different measuring fields:
  - current and voltage measurement (U/I): pluggable test bridges
  - voltage measurement (U): soldered test bridges
- Header with pin diameter 0.6 mm for wire wrap (b)
- Outer pin rows (pin 1a, c and pin 16a, c) with wider tracks for power supply (2 A per track)

### Delivery comprises

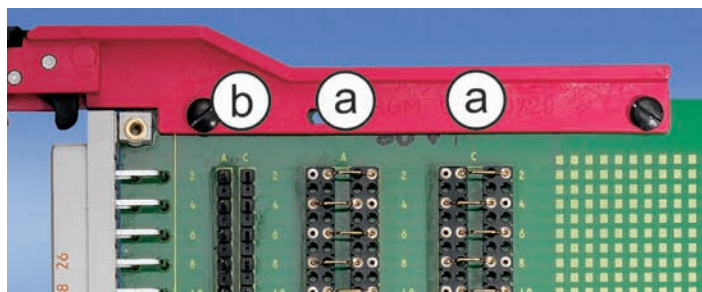
Item	Qty	Description
1	1	Test adaptor with fitted guide rails and equipped test bridges
2	10	Replacement test bridges

### Order Information

Connector type	Height U	For board depth mm	Backplane type	Measuring field for	Part no.
D32	3	160	1L	U / I	23021-611
D32	3	160	1L	U	23021-604
D32	3	220	1L	U / I	23021-655

### Note

- Test adaptor type D cannot be used in combination with the adapter of other types
- Detailed dimensions and test adaptor types see page 10.28



a: Measuring field for current and voltage measurement  
b: Header for wire wrap

11100006

## Test adaptors, type E

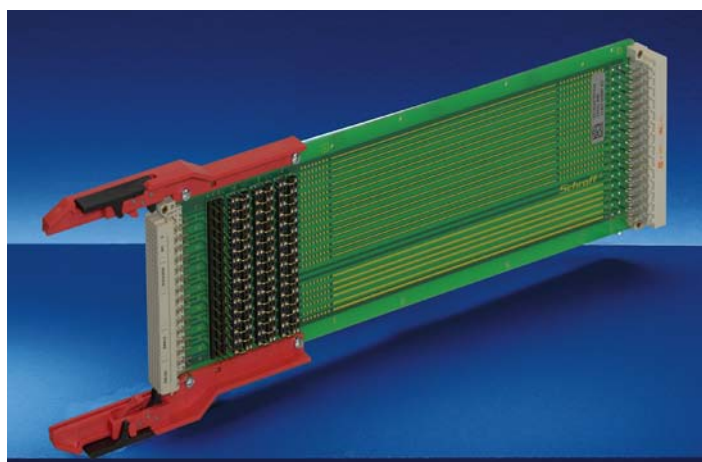


Photo shows 23021-656

11107001

- For DIN 41612 connectors, type E
- Measuring field for current and voltage measurement (U/I), (a)
- Header with pin diameter 0.6 mm for wire wrap (b)
- Outer pin rows (pin 1a, c, e and pin 31a, c, e) with wider tracks for power supply (2 A per track)

### Delivery comprises

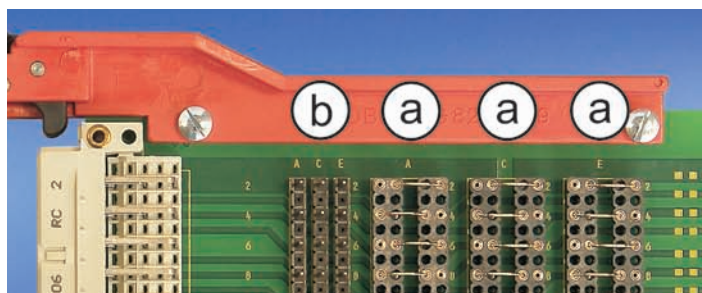
Item	Qty	Description
1	1	Test adaptor with fitted guide rails and equipped test bridges
2	10	Replacement test bridges

### Order Information

Connector type	Height U	For board depth mm	Backplane type	Measuring field for	Part no.
E48	3	220	2L	U / I	23021-656

### Note

- Detailed dimensions and test adaptor types see page 10.28
- 6/9 U test adaptors see page 10.26



a: Measuring field for current and voltage measurement  
b: Header for wire wrap

11107002



For further information [www.schroff.biz/oneclick](http://www.schroff.biz/oneclick)  
oneClick search code = Part no.



# Test adaptors

## Test adaptors, type F

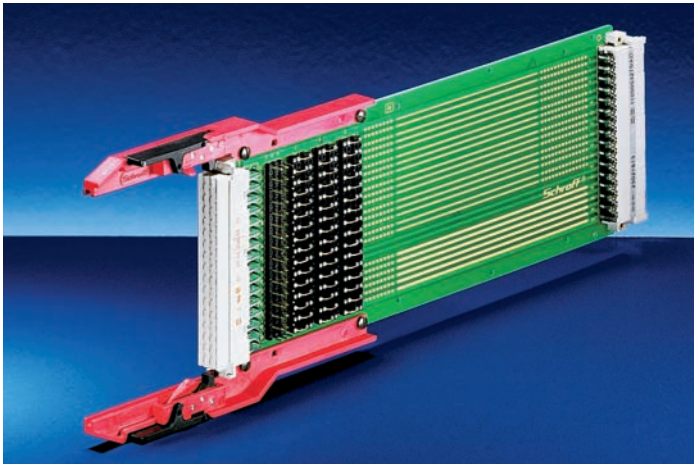


Photo shows 23021-613

11100008

- For DIN 41612 connectors, type F
- 2 different measuring fields:
  - current and voltage measurement (U/I): pluggable test bridges
  - voltage measurement (V): soldered test bridges
- Header with pin diameter 0.6 mm for wire wrap (b)
- Outer pin rows (pin 1a, c, e and pin 16a, c, e) with wider tracks for power supply (2 A per track)

### Delivery comprises

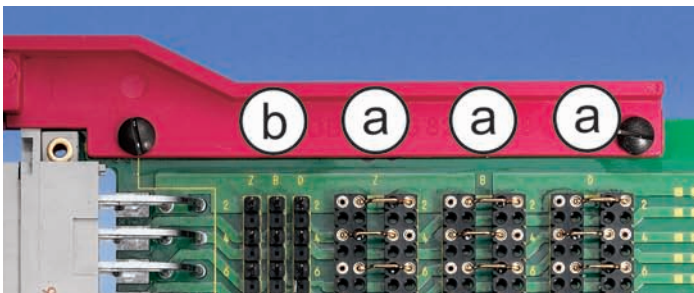
Item	Qty	Description
1	1	Test adaptor with fitted guide rails and equipped test bridges
2	10	Replacement bridges

### Order Information

Connector type	Height U	For board depth mm	Backplane type	Measuring field for	Part no.
F48	3	160	2L	U	23021-605
F48	3	160	2L	U / I	23021-613
F48	6	160	2L	U / I	23022-604
F48	3	220	2L	U / I	23021-657

### Note

- Detailed dimensions and test adaptor types see page 10.28
- Further 6/9 U test adaptors see page 10.26



a: Measuring field for current and voltage measurement  
b: Header for wire wrap

11100009

## Test adaptors, type M



Photo shows 23021-616

11100013

- For DIN 41612 connectors, type M
- 2 versions:
  - M (F/H): with high-current contacts (H)
  - M (C/coax): with coaxial connector contact
- Measuring field versions for current and voltage measurement (U/I):
  - M (F/H):
    - F: measurement lugs (a) and measurement pins (b) with jumpers
    - H: test bridges (c) (diameter 4 mm)
  - M (C/coax):
    - C: test bridges pluggable, header with pin diameter 0.6 mm for wire wrap

### Delivery comprises

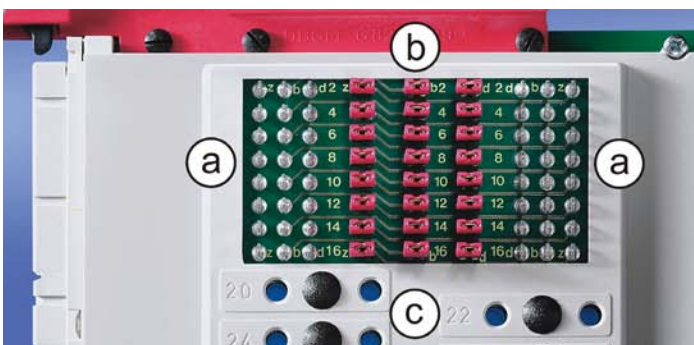
Item	Qty	Description
1	1	Test adaptor with fitted guide rails and equipped test bridges
2	10	Replacement test bridges

### Order Information

Connector type	Height U	For board depth mm	Backplane type	Measuring field for	Part no.
M (F24/H7)	3	160	2L	U / I	23021-616
M (F24/H7)	3	220	2L	U / I	23021-660

### Note

- Detailed dimensions and test adaptor types see page 10.28



Test adaptor M (F24/H7), a: Measurement lugs,  
b: Measuring pin with jumper, c: Test bridge, diameter 4 mm

11100014

## Test adaptors

### Test adaptors, type H

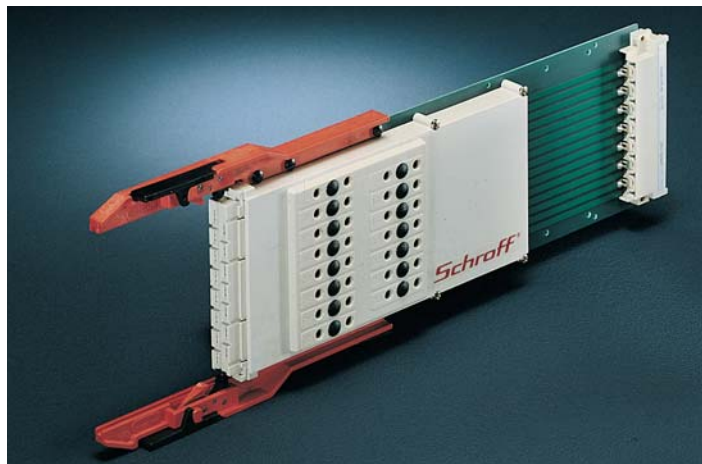


Photo shows 23021-621

11193001

- For DIN 41612 connectors, type H
- 2 different measuring field versions:
  - voltage and current (U/I): pluggable test bridges (diameter 4 mm) (a)
  - for voltage (V): test sockets (diameter 4 mm)

#### Delivery comprises

Item	Qty	Description
1	1	Test adaptor with fitted guide rails and equipped test bridges

#### Order Information

Connector type	Height	For board depth	Backplane type	Measuring field for	Part no.
	U	mm			

**Phase-out product(s)**

a: Test bridge 4 mm b: Test socket 4 mm

11100012



ServicePLUS see page 10.29

# Test adapters

## Test adaptors for VMEbus

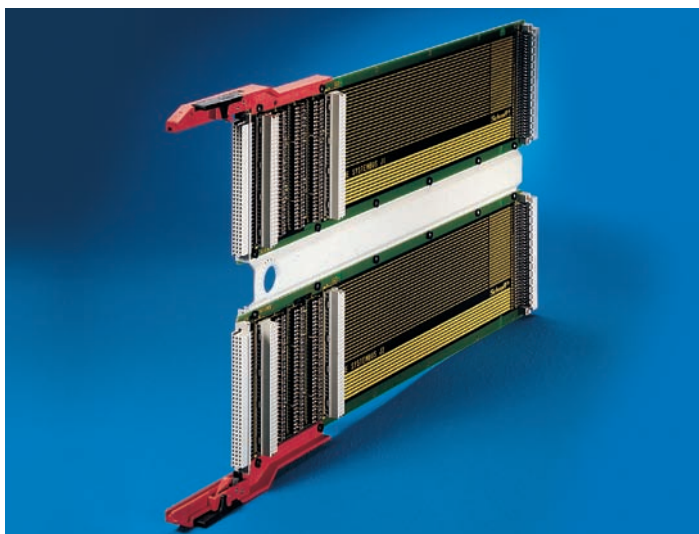


Photo shows 6 U test adaptor

11192004

- Layout of conductive tracks and layer build-up match the requirements of the VME bus
- Measuring field version for current and voltage measurement (V/I), (a)
- Additional measuring pins, e.g. for the probe tips of an oscilloscope (b)
- 1 pin position for second test object, 1 pin position for terminator board
- Voltage supply lines are designed for 2 A
- 6 U test adaptors consist of two 3 U test adaptors linked via an intermediate adaptor

### Delivery comprises

Item	Qty	Description
1	1	Test adaptor with fitted guide rails and equipped test bridges
2	10	Replacement test bridges

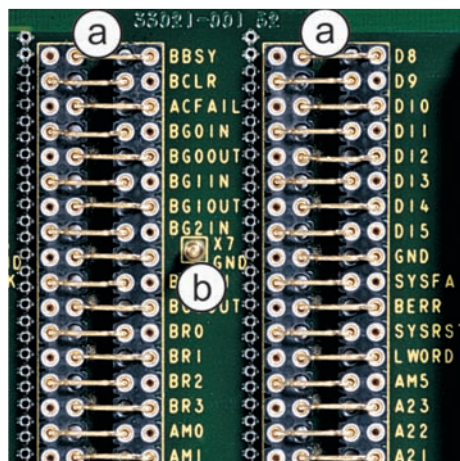
### Order Information

Height	For board depth	Connector type		Part no.
		P1	P2	
U	mm			
3	160	C96	–	23021-001
3	160	–	C96	23021-100
3	220	C96	–	23021-002
3	220	–	C64	23021-103
3	220	–	C96	23021-101
6	160	C96	C96	23022-002
6	220	C96	C96	23022-004
6	280	C96	C96	23022-010

P1 = system bus, P2 = I/O bus

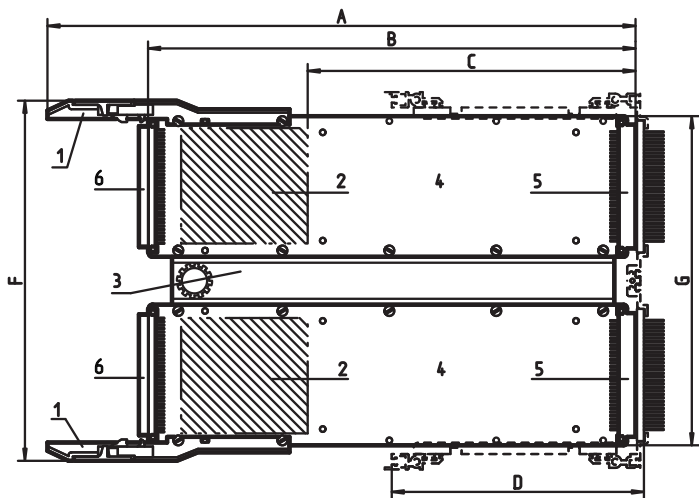
### Note

- 9 U test adaptor see page 10.26



11196001

a: Measuring field for current and voltage measurement  
b: Measuring pin, e.g. for test prod



taa43143

Dimensional drawing of test adaptor

### Dimensions table VMEbus test adaptors

Board height	F (mm)	G (mm)
3 U	123.65	100
6 U	257	233.35

For board depth	A (mm)	B (mm)	C (mm)	D (mm)
160 mm	423	350	237	175.24
220 mm	483	410	297	235.24
280 mm	543	470	417	355.24

A = overall length, B = extension



For further information [www.schrock.biz/oneclick](http://www.schrock.biz/oneclick)  
oneClick search code = Part no.

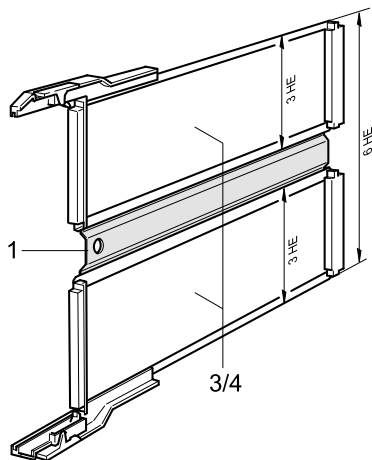


ServicePLUS see page 10.29

# Test adapters

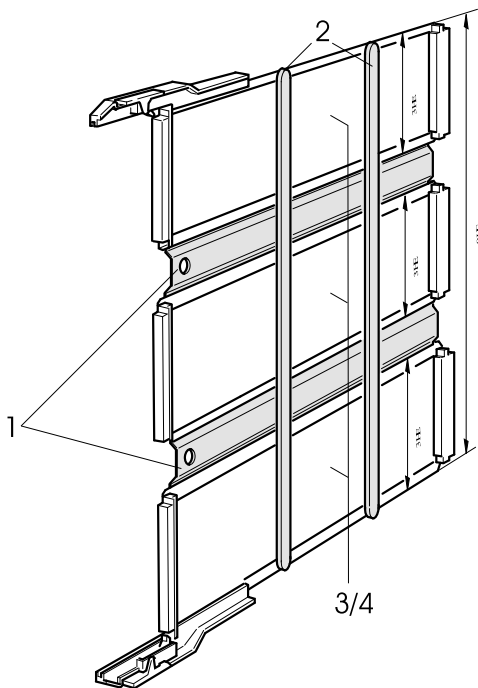
## 6/9 U test adaptors

6 U



A4-2550

9 U



BPTE6567

- Suitable for types B, C, D, E, F
- 6 U test adaptor can be made from:
  - 2 x equal length 3 U test adaptors (3/4)
  - 1 x intermediate adaptor 6 U (1)
  - or
  - 1 x 3 U test adaptor (3/4)
  - 1 x bare board (item 2 without connector)
  - 1 x intermediate adaptor 6 U (1)
- 9 U test adaptor can be made from:
  - 3 x equal length 3 U test adaptors (3/4)
  - 2 x intermediate adaptor 9 U (1)
  - or
  - 2 x 3 U test adaptors (3/4)
  - 1 x bare board (item 2 without connector)
  - 2 x intermediate adaptor 9 U (1)
 or other combinations  
 test adaptor item 4, type x  
 bare board: item 3

### Delivery comprises (kit)

Item	Qty		Description
	6 U	9 U	
1	1	2	Intermediate adaptor, St, 1.5 mm, grey, incl. assembly kit
2	–	2	Board stiffener

### Order Information

Description	For board depth mm	For test adaptor depth (dimension B) mm	Part no.
6 U	160	290	20800-224
6 U	220	350	20800-168
6 U	280	410	20800-278
6 U	340	470	20800-279
9 U	220	350	23040-001

### Accessories

<b>Bare board</b> (item 2) 3 U, 160 mm deep without connector, 1 piece	23040-006
<b>Bare board</b> (item 2) 3 U, 220 mm deep without connector, 1 piece	23040-007

### Note

- Test adaptor type D cannot be combined with other types
- Test adaptor depth (dimension B) of VMEbus test adaptors see page 10.25
- Test adaptor depth (dimension B) at type B, C, D, E, F, see page 10.28



For further information [www.schroff.biz/oneclick](http://www.schroff.biz/oneclick)  
 oneClick search code = Part no.

# Test adapters

## Board guides



Top: with locking lever, left short, right long;  
bottom: without locking lever, left short, right long

11192009

■ To hold and lock modules that have to be tested (for replacement purposes only, board guides are included in delivery of all test adapters)

■ Versions

- Short board guide with/without locking lever
- Long board guide with/without locking lever

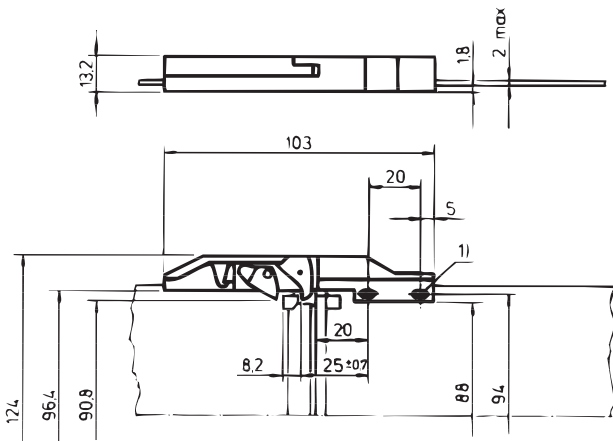
### Order Information

Description	Qty/PU	Part no.
Type: short, with locking lever	2	60800-834
Type: short, without locking lever	1	60800-032
Type: long, with locking lever	2	20800-212
Type: long, without locking lever	2	20800-213



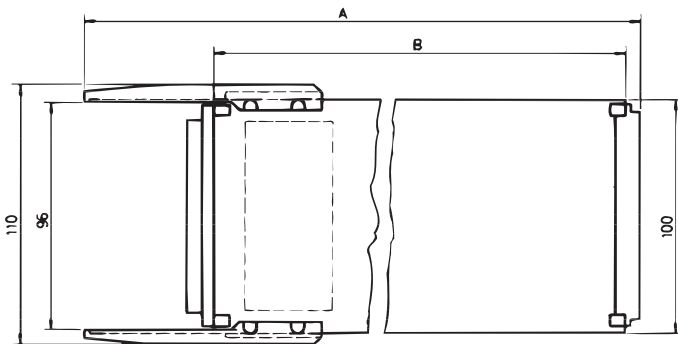
For further information [www.schroff.biz/oneclick](http://www.schroff.biz/oneclick)

oneClick search code = Part no.



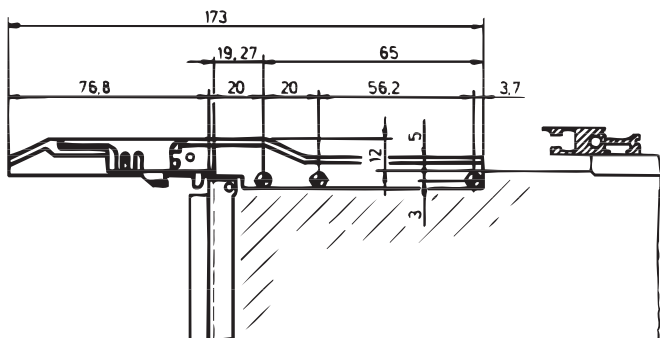
Short board guide

A4-1908



Short board guide without locking lever  
A, B, see "Dimensions test adapters"

A4-2411



Long board guide without locking lever

A4-2551

# Test adapters

## Types/board versions

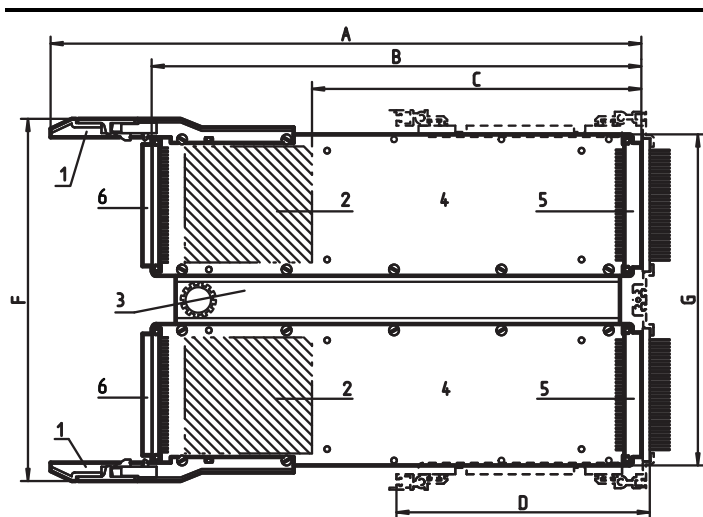
Epoxy fibreglass EP-GC02 to DIN 40802 (FR4).  
Outlying connections (e.g. pins 1a, b, c and pins 32a, b, c) each have a wider PCB track or large-surface tracks on inner layers – e.g. for shielding,  $V_{CC}$ , GND.

### Type

<b>1L</b>	PCB single-sided, laminated (suitable for up to 2 MHz)
<b>2L</b>	PCB, double-sided, laminated and through-connected (suitable for up to approx. 8 MHz)
<b>4L</b>	Multi-layer, 4-layer (suitable for above 8 MHz): Multi-layer technology with large-area inner layers (signal–surface–surface–signal). In the coax version the large-area inner layers can be soldered to the desired pins by means of power links.

## Dimensions test adaptors

### ■ Types B, C, E, F, H and M



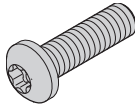
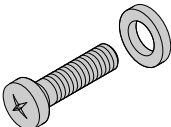
taa43143

- 1) Board guide
- 2) Measuring field
- 3) Mounting bracket with extraction aid
- 4) Test adaptor
- 5) Male connector
- 6) Female connector

Board height	F mm	G mm
3 U	123.00	100.00
6 U	257.00	233.35

Board depth	A mm	B mm	C mm	D mm
160 mm	363	290	190	175.24
220 mm	423	350	250	235.24
280 mm	483	410	310	355.24
340 mm	543	470	370	415.24

## Panhead screws

Description	Application	Material	Dimension	Qty/PU	Part no.
 Torx panhead screw <small>a2a45940</small>	For backplane fixing	St, nickel-plated	M2.5 x 12	100	<b>24560-161</b>
	For backplane fixing	St, nickel-plated	M2.5 x 14	100	24560-162
	For backplane fixing	St, nickel-plated	M2.5 x 16	100	24560-163
 Screw + securing washer <small>06702051</small>	For backplane fixing	St, nickel-plated	M2.5 x 12	100	21100-777

## Backplanes – ServicePLUS



### configuration

**Equipped to customer specification**

**Simple. Fast. For the product you want.**

- Appropriate solutions from our standard range or individual solutions
- Equipping options: e.g.: do not equip unused connectors, VME with ADC or MDC, set CPCI to 3.3 V, ...
- Online configuration enquiry:  
[www.schroff.co.uk/configuration](http://www.schroff.co.uk/configuration)



### modification

**Small design alterations to off-the-shelf products**

**Small changes. Large impact.**

- Minor modifications to our standard-backplane designs, customized modifications
- Conformal coating



### solution

**System integration and custom developments**

**Simple. Fast. From one source.**

- Development, simulation and design to customer specification; Production of prototypes, pilot series and production series
- Simulation and testing



### academy

**Knowledge transfer and partnership**

**Knowledge. Sharing. Partnerships.**

- Test reports, user reports, user manuals for download

