


**RC-0000001200**

Order No.: 1592539

<http://catalog.phoenixcontact.net/phoenix/treeViewClick.do?UID=1592539>Sleeve housing for cable connector, straight, Screw locking, M23,  
shielded: No**Commercial data**

EAN	 4 046356 191432
sales group	D300
Pack	20 Pcs.
Customs tariff	85389099
Gross weight in pieces	0.06811 KG
Net weight per piece	0.06811 KG

**Product notes**WEEE/RoHS-compliant since:  
01/01/2003

<http://www.download.phoenixcontact.com>  
Please note that the data given here has been taken from the online catalog. For comprehensive information and data, please refer to the user documentation. The General Terms and Conditions of Use apply to Internet downloads.

**Technical data****General**

Note	Order information Order contact inserts and cable clamping separately
Type of locking	Screw locking

**Ambient conditions**

Ambient temperature	-20 °C ... 125 °C
Degree of protection	IP65

**Material**

Housing material	Turned parts: copper zinc alloy (CuZn), die-cast parts: zinc (GD-Zn)
Gasket and O-ring material	FPM

**Specifications according to DIN EN 61984:2001**

Installation height max.	2000 m
--------------------------	--------

**Certificates / Approvals**

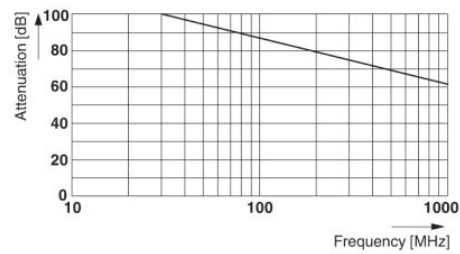
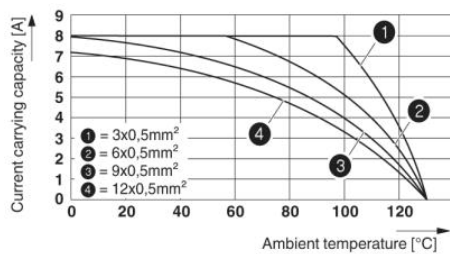
Certification

Certifications applied for:

Certification Ex:

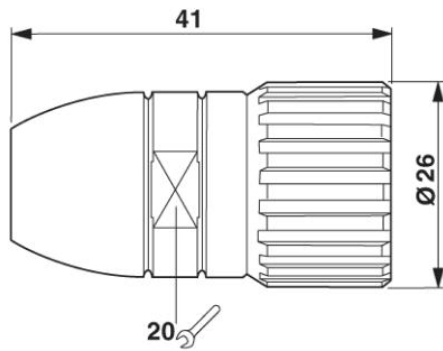
**Drawings**

Diagram



Dimensioned drawing

---



**Address**

PHOENIX CONTACT Deutschland GmbH  
Flachmarktstr. 8  
32825 Blomberg, Germany  
Phone +49 5235 3 12000  
Fax +49 5235 3 41200  
<http://www.phoenixcontact.com>



© 2014 Phoenix Contact  
Technical modifications reserved;