



CE

### Model Number

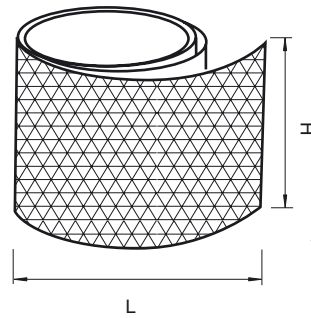
**RT2 X 100**

Reflective tape

### Features

- Reflective tape, pre-cut, corner-cube
- 150' rolls available
- Can be cut

### Dimensions



### Technical data

#### General specifications

Construction type rectangular

#### Ambient conditions

Ambient temperature -20 ... 82.22 °C (-4 ... 180 °F)

#### Mechanical specifications

Dimensions 2.0" x 100.0" (50.8 mm x 2540 mm)

Mounting self-adhesive

Storage Store cool and dry

### Note

#### Reflectors

Polarized retro-reflective sensors must use corner-cube reflectors.

Microstructure, corner-cube reflectors are used with laser retro-reflective sensors that have short sensing distances.